



## YAMAHA SCARA ROBOT

**รุ่นใหม่! ประสิทธิภาพสูง ในราคาประหยัด**

# YK400XR

ราคาเพียง **348,000\*** บาท

\*VAT excluded set price of robot+cable+controller (Type:YK400XR-S-150-3L-RCX340-4-NS-4), options such as teaching box, PC software are not included.

**New SCARA robot YK400XR gives high quality and high performance and yet lowest price**

### **Shortest Cycle Time in this class**

A standard cycle time of 0.45 sec. is achieved by drawing out the robot performance to its maximum level.

### **Superior Cost Performance**

Most economical price in YAMAHA's similar robot class without sacrificing its existing features.

### **With Versatile and High Performance Controller RCX340**

Combination of YK400XR robot and new RCX340 controller enable operation up to 16 axes with simple easy networking.

# YK400XR

Standard type: Small type

LOW COST HIGH PERFORMANCE MODEL



- Arm length 400mm
- Maximum payload 3kg

## Ordering method

<b>YK400XR</b>		<b>150</b>			<b>RCX340-4</b>							
<b>Model</b>	<b>Return-to-origin method</b> S: Sensor T: Stroke end	<b>Z axis stroke</b>	<b>Hollow shaft</b> No entry: None S: With hollow shaft	<b>Cable</b> 3L: 3.5m 5L: 5m 10L: 10m	<b>Controller / Number of controllable axes</b>	<b>Safety standard</b>	<b>Option A (OP.A)</b>	<b>Option B (OP.B)</b>	<b>Option C (OP.C)</b>	<b>Option D (OP.D)</b>	<b>Option E (OP.E)</b>	<b>Absolute battery</b> 4: 4 pcs. 3: 3 pcs. 2: 2 pcs. 1: 1 pc. 0: 0 pc.

Note. For details about controller, refer to the RCX340 catalog or view YAMAHA's website.

## Specifications

	X-axis	Y-axis	Z-axis	R-axis
<b>Axis specifications</b>				
Arm length (mm)	225	175	150	-
Rotation angle (°)	+/-132	+/-150	-	+/-360
AC servo motor output (W)	200	100	100	100
<b>Deceleration mechanism</b>	Harmonic drive	Harmonic drive	Ball screw	Belt speed reduction
Speed reducer	Direct-coupled	Direct-coupled	Timing belt	Timing belt
Transmission method				
Motor to speed reducer				
Speed reducer to output				
Repeatability <sup>Note 1</sup> (XYZ: mm) (R: °)	+/-0.01		+/-0.01	+/-0.01
Maximum speed (XYZ: m/sec) (R: °/sec)	6		1.1	2600
Maximum payload (kg)	3 (Standard specification), 2 (Option specifications <sup>Note 4</sup> )			
Standard cycle time: with 2kg payload <sup>Note 2</sup> (sec)	0.45			
R-axis tolerable moment of inertia <sup>Note 3</sup> (kgm <sup>2</sup> )	0.05kgm <sup>2</sup> (0.5kgfcm <sup>2</sup> )			
User wiring (sq x wires)	0.2 x 10			
User tubing (Outer diameter)	φ4 x 3			
Travel limit	1.Soft limit 2.Mechanical stopper (X,Y,Z axis)			
Robot cable length (m)	Standard: 3.5 Option: 5,10			
Weight (kg)	17			

Note 1. This is the value at a constant ambient temperature. (X,Y axes)

Note 2. When reciprocating 300mm in horizontal and 25mm in vertical directions and performing the coarse positioning arch operation.

Note 3. It is necessary to input the moment of inertia in the actual operating environment.

Note 4. Maximum payload of option specifications (with user wiring/tubing through spline type) is 2kg.

## Controller

Controller	Power capacity (VA)	Operation method
RCX340	1000	Programming / Remote command / Operation using RS-232C communication

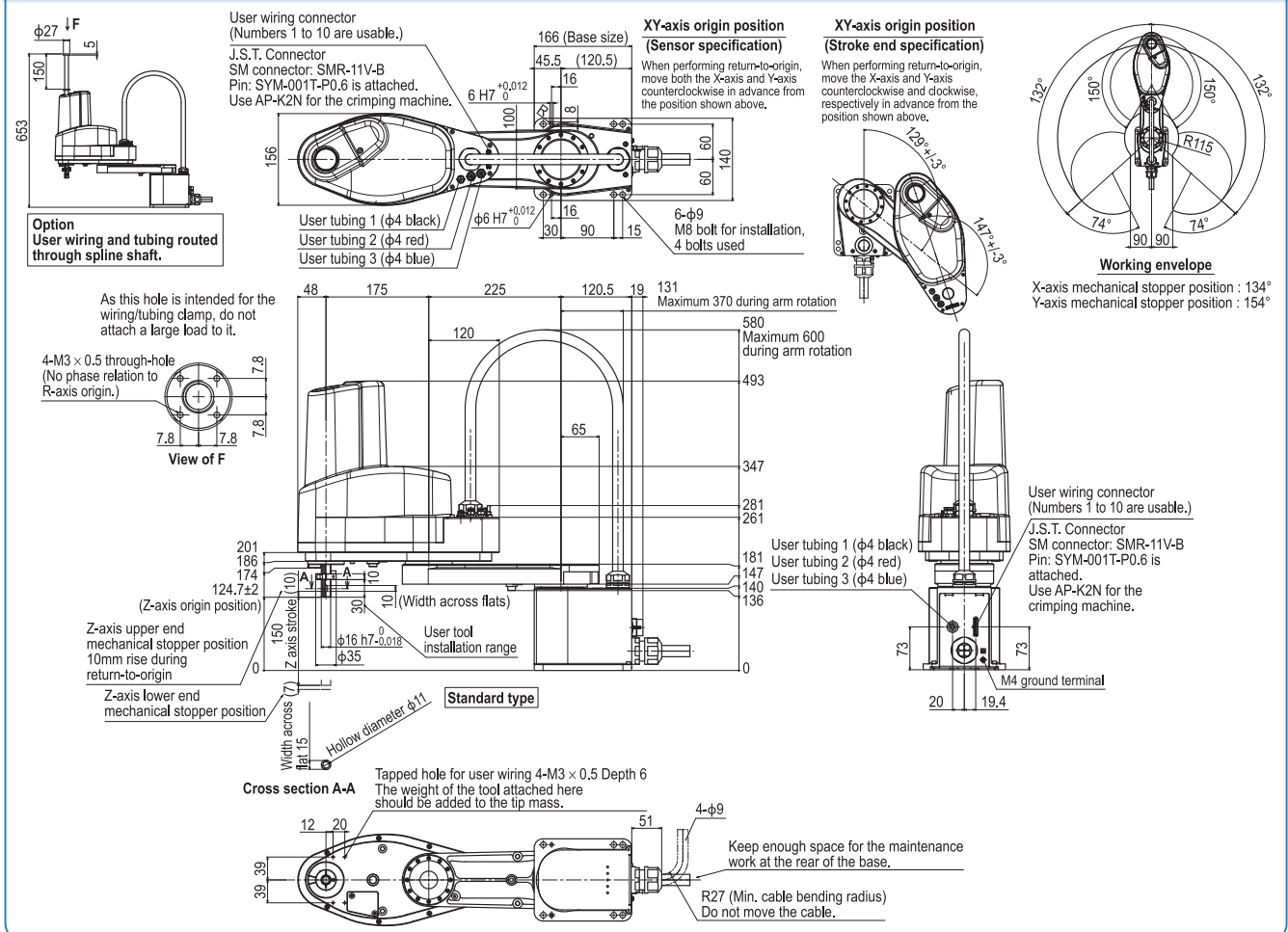
Note. "Harmonic" and "Harmonic drive" are the registered trademarks of Harmonic Drive Systems Inc.

Note. The movement range can be restricted by adding the X- and Y-axis mechanical stoppers. (The maximum movement range was set at shipment.) See our robot manuals (installation manuals) for detailed information.

Note. To set the standard coordinates with high accuracy, use a standard coordinate setting jig (option). Refer to the user's manual (installation manual) for more details.

Our robot manuals (installation manuals) can be downloaded from our website at the address below:  
<http://global.yamaha-motor.com/business/robot/>

## YK400XR



### IM Operations

882 Soude, Naka-ku, Hamamatsu, Shizuoka 435-0054, Japan  
Tel 81-53-460-6103 Fax 81-53-460-6811

URL <http://global.yamaha-motor.com/business/robot/>  
E-mail [robotn@yamaha-motor.co.jp](mailto:robotn@yamaha-motor.co.jp)



TKK Corporation CO., LTD.

บริษัท ทีเคเค คอร์ปอเรชั่น จำกัด

Authorized Distributor (ตัวแทนจำหน่ายอย่างเป็นทางการ)

71 Yencht 6 Alley, Thungwaddon, Sathorn, Bangkok 10120  
(71 ซอยเย็นชิด 6 แขวงทุ่งวaddon เขตสาทร กรุงเทพฯ 10120)

Tel. 0 2211 7892 Fax : 0 2211 53 59

Website : [www.tkkcorporation.com](http://www.tkkcorporation.com) E-mail : [info@tkkcorporation.com](mailto:info@tkkcorporation.com)