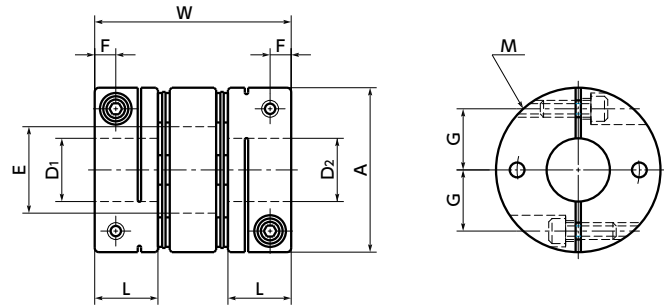


XBW-C/XBWS-C Flexible Coupling - Disk Type

[WEB Selection Tool](#)
[WEB CAD Download](#)
[Zero Backlash](#)
[High Rigidity](#)
[SUS Stainless steel](#)

XBW-C Aluminum alloy hub
XBWS-C Made of all stainless steel



Dimensions

Unit : mm

Part Number	A	L	W	E	F	G	M	Screw Tightening Torque (N·m)
XBW-15C2	15	7.5	22	6.1	2.3	5.25	M2	0.5
XBW-19C2	19	9	25.5	8.5	2.5	7.1	M2	0.5
XBW-25C2	25	11	32.2	12.5	3.5	9.25	M2.5	1
XBW-27C2	27	11	32.2	14.5	3.5	10.25	M2.5	1
XBW-34C3	34	12	37.4	16.5	4	13	M3	1.5
XBW-39C2	39	15	46.6	20.5	5	14.5	M4	3.5
XBW-44C2	44	15	46.6	23	5	17	M4	3.5
XBW-56C3	56	20	60.4	29	6	21.25	M5	8
XBW-68C5	68	24	75	33	7	25	M6	13
XBW-82C5	82	31	98	36	9	29.5	M8	30
XBW-94C7	94	31	99.6	48	9	35.5	M8	30
XBW-104C8	104	32	104.4	58	9	40.5	M8	30
XBWS-15C2	15	7.5	22	6.1	2.3	5.25	M2	0.5
XBWS-19C2	19	9	25.5	8.5	2.5	7.1	M2	0.5
XBWS-25C2	25	11	32.2	12.5	3.5	9.25	M2.5	1
XBWS-27C2	27	11	32.2	14.5	3.5	10.25	M2.5	1
XBWS-34C3	34	12	37.4	16.5	4	13	M3	1.5
XBWS-39C2	39	15	46.6	20.5	5	14.5	M4	3.5
XBWS-44C2	44	15	46.6	23	5	17	M4	3.5
XBWS-56C3	56	20	60.4	29	6	21.25	M5	8

size	Standard Bore Diameter																											
	D1	D2	3	4	5	6	8	10	11	12	14	15	16	18	19	20	22	24	25	28	30	32	35	38	40	42	45	50
15C2	●	●	●	●																								
19C2		●	●	●	●																							
25C2			●	●	●	●	●																					
27C2				●	●	●	●	●																				
34C3				●	●	●	●	●	●																			
39C2					●	●	●	●	●	●																		
44C2						●	●	●	●	●	●																	
56C3							●	●	●	●	●	●																
68C5*1								●	●	●	●	●	●															
82C5*1									●	●	●	●	●	●														
94C7*1										●	●	●	●	●	●													
104C8*1											●	●	●	●	●	●	●											

- All products are provided with hex socket head cap screw.
- Recommended dimensional allowances of applicable shaft diameter are h6 and h7.
- In case of mounting on D-cut shaft, be careful about the position of the D-cut surface of the shaft. → P.257
- *1 This size is only for **XBW-C**

[Additional Keyway at Shaft Hole → P.788](#)
[Cleanroom Wash & Packaging → P.792](#)
[Change to Stainless Steel Screw → P.790](#)

Performance

Part Number	Max. Bore Diameter (mm)	Rated*1 torque (N·m)	Max.*1 torque (N·m)	Max. Rotational Frequency (min ⁻¹)	Moment*2 of Inertia (kg·m ²)	Static Torsional Stiffness (N·m/rad)	Max. Lateral Misalignment (mm)	Max. Angular Misalignment (°)	Max. Axial Misalignment (mm)	Mass*2 (g)
XBW-15C2	6	0.6	1.2	42000	2.2×10 ⁻⁷	200	0.05	1	±0.2	7.5
XBW-19C2	8	1	2	33000	6.7×10 ⁻⁷	450	0.15	2	±0.2	14
XBW-25C2	12	2	4	25000	2.3×10 ⁻⁶	850	0.2	2	±0.4	24
XBW-27C2	14	2.2	4.4	23000	3.1×10 ⁻⁶	1000	0.2	2	±0.4	30
XBW-34C3	16	4.2	8.4	18000	9.0×10 ⁻⁶	1600	0.25	2	±0.6	63
XBW-39C2	20	8	16	16000	2.1×10 ⁻⁵	3200	0.3	2	±0.6	120
XBW-44C2	22	10	20	14000	3.5×10 ⁻⁵	3900	0.3	2	±0.6	151
XBW-56C3	28	25	50	11000	1.2×10 ⁻⁴	9000	0.3	2	±0.8	322
XBW-68C5	32	60	120	9000	3.5×10 ⁻⁴	18000	0.3	2	±1	617
XBW-82C5	35	80	160	7000	9.0×10 ⁻⁴	35000	0.5	2	±1.2	1220
XBW-94C7	45	150	300	6000	1.5×10 ⁻³	40000	0.5	2	±1.4	1500
XBW-104C8	50	200	400	6000	2.3×10 ⁻³	50000	0.5	2	±1.4	1820
XBWS-15C2	6	0.5	1	42000	5.0×10 ⁻⁷	300	0.05	1	±0.2	20
XBWS-19C2	8	1	2	33000	1.6×10 ⁻⁶	550	0.15	2	±0.2	38
XBWS-25C2	12	1.2	2.4	25000	6.1×10 ⁻⁶	1100	0.2	2	±0.4	71
XBWS-27C2	14	1.5	3	23000	8.2×10 ⁻⁶	1300	0.2	2	±0.4	88
XBWS-34C3	16	3.5	7	18000	2.5×10 ⁻⁵	1800	0.25	2	±0.6	160
XBWS-39C2	20	5	10	16000	5.1×10 ⁻⁵	3500	0.3	2	±0.6	260
XBWS-44C2	22	7	14	14000	8.9×10 ⁻⁵	5500	0.3	2	±0.6	400
XBWS-56C3	28	15	30	11000	2.9×10 ⁻⁴	10000	0.3	2	±0.8	800

*1 Correction of rated torque and max. torque due to load fluctuation is not required.
 *2 These are values with max. bore diameter.

High-torque specification **XHW** is available. → P.68

Rated output (W)	Servomotor type				Servomotor Specifications			Selection size	
	Mitsubishi Electric Corporation	YASKAWA Electric Corporation	SANYO DENKI Co., Ltd.	KEYENCE CORPORATION	Diameter of motor shaft (mm)	Rated torque (N·m)	Instantaneous maximum torque (N·m)	XHW-C	XBW-C
100	HG-KR	SGMJV	R2	SV	8	0.32	1.1	XHW-19C	XBW-25C
200					14	0.64	2.2	XHW-27C	XBW-34C
400					14	1.3	4.5	XHW-34C	XBW-39C
750					16 - 19	2.4	8.4	XHW-39C	XBW-44C

• Part number specification

XBWS-27C2-11-12

