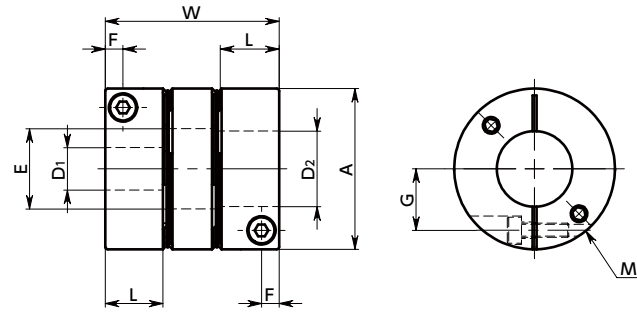


XHW-C / XHW-C-L Flexible Coupling - Disk - type Additional Size

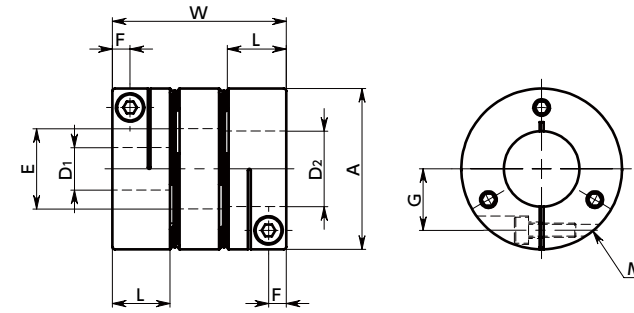
WEB Selection Tool CAD Download Zero Backlash High torque High Rigidity

XHW-C

XHW-C-L



Outside diameter $\phi 15$



Outside diameter $\phi 19 - \phi 79$

Dimensions

Unit : mm

Part Number	A	L	W	E	F	G	M	Screw Tightening Torque (N·m)
XHW-15C	15	7.5	21.6	6.3	2.1	5	M2	0.45
XHW-19C	19	9.2	25.7	8.5	2.6	7	M2	0.5
XHW-25C	25	11	32.2	12.5	3.3	9.25	M2.5	1
XHW-27C	27	11	32.2	14.5	3.3	10.25	M2.5	1
XHW-34C	34	12.5	36.8	16.5	3.75	13	M3	1.5
XHW-39C	39	15.5	46.6	20.5	4.5	14.5	M4	3.5
XHW-44C	44	15.5	46.6	22.5	4.5	17	M4	3.5
XHW-56C	56	20.5	61.2	28.5	6	21	M5	8
XHW-64C	64	24	74.4	36	7	24	M6	13
XHW-79C	79	30	97.2	43	8.75	29	M8	28
XHW-19C-L	19	9.2	34	8.5	2.6	7	M2	0.5
XHW-25C-L	25	11	42	12.5	3.3	9.25	M2.5	1
XHW-27C-L	27	11	42	14.5	3.3	10.25	M2.5	1
XHW-34C-L	34	12.5	44	16.5	3.75	13	M3	1.5
XHW-39C-L	39	15.5	55	20.5	4.5	14.5	M4	3.5

Part Number	Standard Bore Diameter																												
	D1	D2	3	4	5	6	6.35	8	9.525	10	11	12	14	15	16	17	18	19	20	22	24	25	28	30	32	35	38	40	42
XHW-15C	●	●	●	●	●	●	●	●	●	●	●	●	●	●	●	●	●	●	●	●	●	●	●	●	●	●	●	●	●
XHW-19C	●	●	●	●	●	●	●	●	●	●	●	●	●	●	●	●	●	●	●	●	●	●	●	●	●	●	●	●	●
XHW-25C	●	●	●	●	●	●	●	●	●	●	●	●	●	●	●	●	●	●	●	●	●	●	●	●	●	●	●	●	●
XHW-27C	●	●	●	●	●	●	●	●	●	●	●	●	●	●	●	●	●	●	●	●	●	●	●	●	●	●	●	●	●
XHW-34C	●	●	●	●	●	●	●	●	●	●	●	●	●	●	●	●	●	●	●	●	●	●	●	●	●	●	●	●	●
XHW-39C	●	●	●	●	●	●	●	●	●	●	●	●	●	●	●	●	●	●	●	●	●	●	●	●	●	●	●	●	●
XHW-44C	●	●	●	●	●	●	●	●	●	●	●	●	●	●	●	●	●	●	●	●	●	●	●	●	●	●	●	●	●
XHW-56C	●	●	●	●	●	●	●	●	●	●	●	●	●	●	●	●	●	●	●	●	●	●	●	●	●	●	●	●	●
XHW-64C	●	●	●	●	●	●	●	●	●	●	●	●	●	●	●	●	●	●	●	●	●	●	●	●	●	●	●	●	●
XHW-79C	●	●	●	●	●	●	●	●	●	●	●	●	●	●	●	●	●	●	●	●	●	●	●	●	●	●	●	●	●
XHW-19C-L	●	●	●	●	●	●	●	●	●	●	●	●	●	●	●	●	●	●	●	●	●	●	●	●	●	●	●	●	●
XHW-25C-L	●	●	●	●	●	●	●	●	●	●	●	●	●	●	●	●	●	●	●	●	●	●	●	●	●	●	●	●	●
XHW-27C-L	●	●	●	●	●	●	●	●	●	●	●	●	●	●	●	●	●	●	●	●	●	●	●	●	●	●	●	●	●
XHW-34C-L	●	●	●	●	●	●	●	●	●	●	●	●	●	●	●	●	●	●	●	●	●	●	●	●	●	●	●	●	●
XHW-39C-L	●	●	●	●	●	●	●	●	●	●	●	●	●	●	●	●	●	●	●	●	●	●	●	●	●	●	●	●	●

- All products are provided with hex socket head cap screw.
- Recommended dimensional allowances of applicable shaft diameter are h6 and h7.
- In case of mounting on D-cut shaft, be careful about the position of the D-cut surface of the shaft. → P.xxxx

Additional Keyway at Shaft Hole → P.xxxx Cleanroom Wash & Packaging → P.xxxx Change to Stainless Steel Screw → P.xxxx
 Available / Add'l charge Available / Add'l charge Please feel free to contact us

Performance

Part Number	Max. Bore Diameter (mm)	Rated* ¹ torque (N·m)	Max.* ¹ torque (N·m)	Max. Rotational Frequency (min ⁻¹)	Moment* ² of Inertia (kg·m ²)	Static Torsional Stiffness (N·m/rad)	Max. Lateral Misalignment (mm)	Max. Angular Misalignment (°)	Max. Axial Misalignment (mm)	Mass* ² (g)
XHW-15C	6	0.6	1.2	42000	3.0×10 ⁻⁷	100	0.1	1.4	±0.2	9.4
XHW-19C	8	1.5	3	33000	8.8×10 ⁻⁷	300	0.12	2	±0.2	17
XHW-25C	12	3	6	25000	3.4×10 ⁻⁶	1000	0.15	2	±0.3	35
XHW-27C	14	3.3	6.6	23000	4.4×10 ⁻⁶	1400	0.15	2	±0.4	39
XHW-34C	16	6.3	12.6	18000	1.3×10 ⁻⁵	2500	0.2	2	±0.5	75
XHW-39C	20	12	24	16000	2.9×10 ⁻⁵	4700	0.25	2	±0.5	123
XHW-44C	22	15	30	14000	4.7×10 ⁻⁵	6400	0.25	2	±0.6	156
XHW-56C	28	37.5	75	11000	1.7×10 ⁻⁴	12000	0.3	2	±0.7	340
XHW-64C	35	50	100	9800	3.3×10 ⁻⁴	15000	0.35	2	±0.9	490
XHW-79C	42	100	200	7900	1.0×10 ⁻³	22000	0.5	2	±1.1	1100
XHW-19C-L	8	1.5	3	33000	1.2×10 ⁻⁶	300	0.25	2	±0.2	22
XHW-25C-L	12	3	6	25000	4.3×10 ⁻⁶	1000	0.3	2	±0.3	45
XHW-27C-L	14	3.3	6.6	23000	5.8×10 ⁻⁶	1400	0.3	2	±0.4	50
XHW-34C-L	16	6.3	12.6	18000	1.6×10 ⁻⁵	2500	0.3	2	±0.5	89
XHW-39C-L	20	12	24	16000	3.4×10 ⁻⁵	4700	0.4	2	±0.5	144

*1 Correction of rated torque and max. torque due to load fluctuation is not required.

*2 These are values with max. bore diameter.

- Part number specification

XHW-25C-L-8-10

