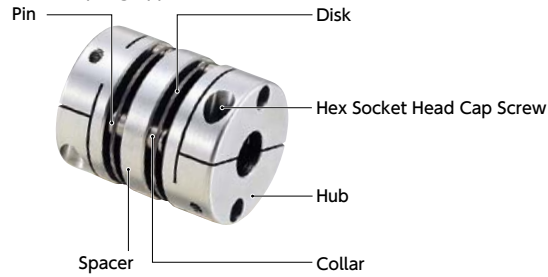


# MDW Flexible Coupling - Disk Type

WEB Selection Tool | WEB CAD Download | 0 Zero Backlash | SUS Stainless steel

## Structure

### ● Clamping type



MDW-C

### ● Applicable motors

	MDW
Servomotor	○
Stepping motor	○
General-purpose motor	○

○: Excellent ○: Very good

### ● Property

	MDW
Zero Backlash	○
Allowable Misalignment	○

○: Excellent ○: Very good

- This is a disk type flexible coupling.
- The stainless steel disk allows the eccentricity, and angular misalignment, and end-play.

### ● Application

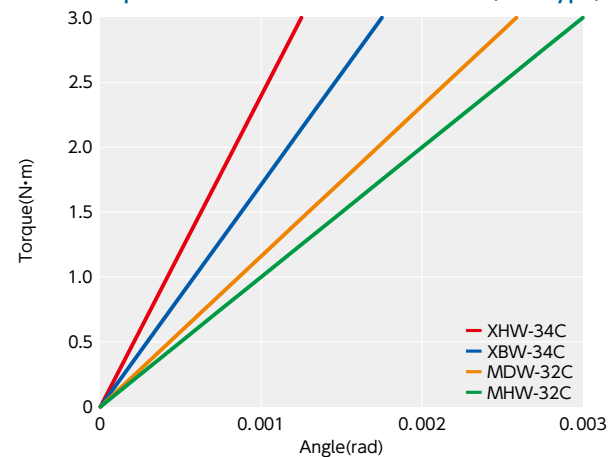
Actuator/XY stage

### ● Material/Finish

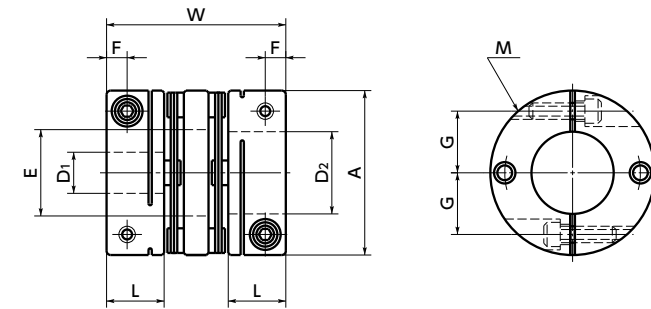
RoHS Compliant

	MDW-C
Hub	A2017 Alumite Treatment
Spacer	A2017 Alumite Treatment
Disk	SUS304
Pin	SUS303
Collar	SUS303
Hex Socket Head Cap Screw	SCM435 Ferrosferic oxide film

### ● Comparison of static torsional stiffness (disk-type)



MDW-C



## Dimensions

Unit : mm

Part Number	A	L	W	E	F	G	M	Screw Tightening Torque (N·m)
MDW-19C	19	8	27	8.5	2.5	6.5	M2	0.5
MDW-25C	25	10	31	12.5	3.5	9	M2.5	1
MDW-32C	32	12	40	16	4	11	M3	1.5
MDW-40C	40	14	44	21	5	15	M4	2.5
MDW-50C	50	18	57	26	6	18	M5	7
MDW-63C	63	20	61	35	7	24	M6	12

Part Number	Standard Bore Diameter D1 · D2																						
	4	5	6	6.35	7	8	9	10	11	12	14	15	16	17	18	19	20	22	24	25	28	30	
MDW-19C	●	●	●		●	●																	
MDW-25C			●	●		●	●	●	●	●													
MDW-32C						●	●	●	●	●	●	●											
MDW-40C						●	●	●	●	●	●	●	●	●	●	●	●						
MDW-50C											●	●	●	●	●	●	●	●	●	●	●	●	●
MDW-63C												●	●	●	●	●	●	●	●	●	●	●	●

- All products are provided with hex socket head cap screw.
- Recommended dimensional allowances of applicable shaft diameter are h6 and h7.
- In case of mounting on D-cut shaft, be careful about the position of the D-cut surface of the shaft. → P.257

## Performance

Part Number	Max. Bore Diameter (mm)	Rated*1 torque (N·m)	Max.*1 torque (N·m)	Max. Rotational Frequency (min <sup>-1</sup> )	Moment*2 of Inertia (kg·m <sup>2</sup> )	Static Torsional Stiffness (N·m/rad)	Max. Lateral Misalignment (mm)	Max. Angular Misalignment (°)	Max. Axial Misalignment (mm)	Mass*2 (g)
MDW-19C	8	0.7	1.5	33000	8.7×10 <sup>-7</sup>	200	0.12	1.5	±0.5	18
MDW-25C	12	1	2	25000	2.7×10 <sup>-6</sup>	450	0.12	1.5	±0.5	25
MDW-32C	15	2.5	5	19000	9.6×10 <sup>-6</sup>	1100	0.15	1.5	±0.5	60
MDW-40C	20	3.5	7	15000	1.9×10 <sup>-5</sup>	1400	0.15	1.5	±0.5	100
MDW-50C	25	9	18	12000	8.1×10 <sup>-5</sup>	2200	0.15	1.5	±0.5	210
MDW-63C	30	12.5	25	10000	2.1×10 <sup>-4</sup>	3000	0.15	1.5	±0.5	340

\*1 Correction of rated torque and max. torque due to load fluctuation is not required.

\*2 These are values with max. bore diameter.

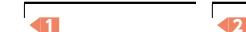
### ● Related Products

The Double-Disk type Flexible Coupling **XHW** is compatible with the servomotor with 350% instantaneous max. torque is available. → P.68



### ● Part number specification

**MDW-25C-6-8**



Additional Keyway at Shaft Hole → P.788 | Cleanroom Wash & Packaging → P.792 | SUS Change to Stainless Steel Screw → P.790