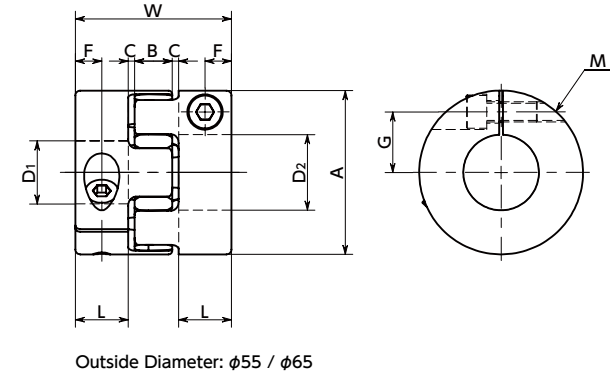
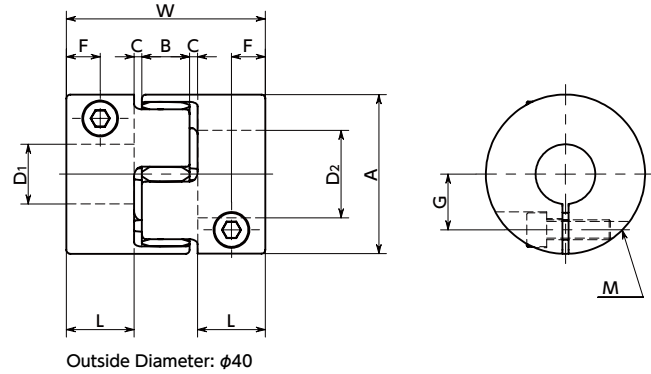


MJS-CS Flexible Coupling - Jaw - type (Short) - Clamping Type

Revised Part number Specification Change

WEB Selection Tool WEB CAD Download High torque Vibration absorption Electrical Insulation



Dimensions

Unit : mm

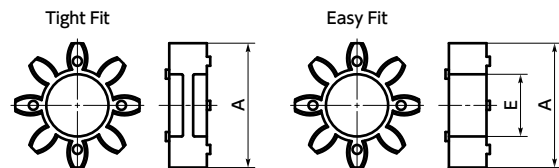
Part Number	Bore Diameter	A	L	W	B	C*1	Sleeve E	F	G	M	Screw Tightening Torque (N·m)
MJS-40CS	8 - 20	40	17	50	12	2	18	8.5	14	M5	8
	22 - 25								15.75	M4	3.5
MJS-55CS	10 - 28	55	18	54	14	2	27.5	9	20	M6	13
	30 - 32								21	M5	8
MJS-65CS	14 - 32	65	21	62	15	2.5	31	10.5	24	M8	28
	35 - 38								25	M6	13

*1 Use with C Dimension

Part Number	Standard Bore Diameter D1 · D2																			
	8	9.525	10	11	12	14	15	16	18	19	20	22	24	25	28	30	32	35	38	
MJS-40CS	●	●	●	●	●	●	●	●	●	●	●	●	●	●						
MJS-55CS			●	●	●	●	●	●	●	●	●	●	●	●	●	●	●			
MJS-65CS						●	●	●	●	●	●	●	●	●	●	●	●	●	●	●

- All products are provided with hex socket head cap screw.
- Recommended dimensional allowances of applicable shaft diameter are h6 and h7.
- A set of hubs with clamping type for one side and clamping + key type for the other side is available upon request.
- In case of mounting on D-cut shaft, be careful about the position of the D-cut surface of the shaft. → P.257

Sleeve Details



Performance

Part Number	Sleeve		Max. Bore Diameter (mm)	Rated ⁺¹ torque (N·m)	Max. ^{*1} torque (N·m)	Zero Backlash ^{*3} Allowable Transmission Torque (N·m)	Max. Rotational Frequency (min ⁻¹)	Moment ^{*2} of Inertia (kg·m ²)	Static Torsional Stiffness (N·m / rad)	Max. Lateral Misalignment (mm)	Max. Angular Misalignment (°)	Max. Axial Misalignment (mm)	Mass ^{*2} (g)	Sleeve Hardness (JIS)
	Tight Fit	Easy Fit												
MJS-40CS	BL	EBL	25	4.9	9.8	1.2	15000	2.7 x 10 ⁻⁵	380	0.15	1	+1.2 0	100	
MJS-55CS	BL	EBL	32	17	34		11000	1.1 x 10 ⁻⁴	1400	0.2	1	+1.4 0	210	A80
MJS-65CS	BL	EBL	38	46	92		9000	2.4 x 10 ⁻⁴	2800	0.2	1	+1.5 0	340	
MJS-40CS	WH	EWL	25	10	20	1.2	15000	2.7 x 10 ⁻⁵	570	0.1	1	+1.2 0	100	
MJS-55CS	WH	EWL	32	35	70		11000	1.1 x 10 ⁻⁴	1600	0.15	1	+1.4 0	210	A92
MJS-65CS	WH	EWL	38	95	190		9000	2.4 x 10 ⁻⁴	3000	0.15	1	+1.5 0	340	
MJS-40CS	RD	ERD	25	17	34	1.2	15000	2.7 x 10 ⁻⁵	1200	0.1	1	+1.2 0	100	
MJS-55CS	RD	ERD	32	60	120		11000	1.1 x 10 ⁻⁴	2600	0.1	1	+1.4 0	210	A98
MJS-65CS	RD	ERD	38	160	320		9000	2.4 x 10 ⁻⁴	4900	0.1	1	+1.5 0	340	
MJS-40CS	GR	EGR	25	21	42	1.2	15000	2.7 x 10 ⁻⁵	3000	0.08	1	+1.2 0	100	
MJS-55CS	GR	EGR	32	75	150		11000	1.1 x 10 ⁻⁴	9000	0.08	1	+1.4 0	210	D64
MJS-65CS	GR	EGR	38	200	400		9000	2.4 x 10 ⁻⁴	13000	0.08	1	+1.5 0	340	

*1 Correction of rated torque and max. torque due to load fluctuation is not required. However, if ambient temperature exceeds 30°C, be sure to correct the rated torque and max. torque with temperature correction factor shown in the table. **[MJS-CS]**'s allowable operating temperature is -20°C to 60°C.

*2 These are values with max. bore diameter.

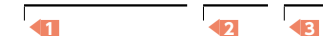
*3 For transmission with Zero Backlash, please use a tight fit sleeve.

Ambient Temperature / Temperature Correction Factor

Ambient Temperature	Temperature Correction Factor
-20°C to 30°C	1.00
30°C to 40°C	0.80
40°C to 60°C	0.70

● Part number specification

MJS-55CS-EGR-14-16



Additional Keyway at Shaft Hole → P.788 | Cleanroom Wash & Packaging → P.792 | Change to Stainless Steel Screw → P.790
Available / Add'l charge | Available / Add'l charge | Available / Add'l charge