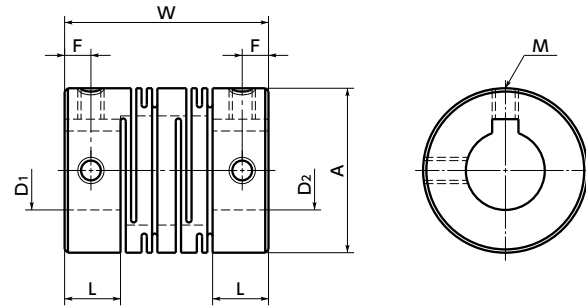


MST-K/MSTS-K Flexible coupling - Slit - type - Set screw + Key type

[WEB Selection Tool](#)
[WEB CAD Download](#)
[Zero Backlash](#)
[SUS Stainless steel](#)

MST-K Made of aluminum alloy
MSTS-K Made of all stainless steel



Dimensions

Unit : mm

Part Number	A	L	W	F	M	Screw Tightening Torque (N·m)
MST-32K	32	12	41	6	M4	1.7
MST-40K	40	17	56	8.5	M5	4
MST-50K	50	21	71	10.5	M6	7
MST-63K	63	26	90	13	M8	15
MSTS-32K	32	12	41	6	M4	1.7
MSTS-40K	40	17	56	8.5	M5	4
MSTS-50K	50	21	71	10.5	M6	7
MSTS-63K	63	26	90	13	M8	15

Part Number	Standard Bore Diameter (dimensional allowance H8) D1-D2	
MST-32K	12 - 12	14 - 14
MST-40K	14 - 14	16 - 16
MST-50K	16 - 16	18 - 18
MST-63K	20 - 20	25 - 25
MSTS-32K	12 - 12	14 - 14
MSTS-40K	14 - 14	16 - 16
MSTS-50K	16 - 16	18 - 18
MSTS-63K	20 - 20	25 - 25

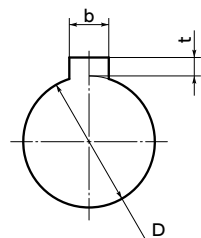
- All products are provided with hex socket set screw.
- Recommended dimensional allowances of applicable shaft diameter are h6 and h7.

Performance

Part Number	Max. Bore Diameter (mm)	Rated*1 torque (N·m)	Max.*1 torque (N·m)	Max. Rotational Frequency (min ⁻¹)	Moment*2 of Inertia (kg·m ²)	Static Torsional Stiffness (N·m/rad)	Max. Lateral Misalignment (mm)	Max. Angular Misalignment (°)	Max. Axial Misalignment (mm)	Mass*2 (g)
MST-32K	14	4	8	19000	9.6×10 ⁻⁶	500	0.15	2	±0.5	59
MST-40K	18	8	16	15000	3.2×10 ⁻⁵	700	0.2	2	±0.5	130
MST-50K	20	16	32	12000	1.0×10 ⁻⁴	1800	0.2	2	±0.5	270
MST-63K	30	32	64	10000	3.2×10 ⁻⁴	3100	0.2	2	±0.5	490
MSTS-32K	14	3.5	7	19000	2.6×10 ⁻⁵	850	0.15	2	±0.5	160
MSTS-40K	18	8	16	15000	8.6×10 ⁻⁵	1000	0.2	2	±0.5	340
MSTS-50K	20	15	30	12000	2.8×10 ⁻⁴	1400	0.2	2	±0.5	730
MSTS-63K	30	35	70	10000	8.5×10 ⁻⁴	1800	0.2	2	±0.5	1300

- *1 Correction of rated torque and max. torque due to load fluctuation is not required.
- *2 These are values with max. bore diameter.

• Details of Shaft Hole



Unit : mm

Standard bore diameter D	Keyway				Key Nominal Dimension b×h
	b Standard Dimension	t Allowance (JS9)	t Standard Dimension	t Allowance (JS9)	
12	4	±0.0150	1.8	+0.1 0	4×4
14·16	5	±0.0150	2.3	+0.1 0	5×5
18·20	6	±0.0150	2.8	+0.1 0	6×6
25·30	8	±0.0180	3.3	+0.2 0	8×7

• Excerpt from JIS B 1301

[Additional Keyway at Shaft Hole → P.788](#)
[Cleanroom Wash & Packaging → P.792](#)
[Change to Stainless Steel Screw → P.790](#)

• Part number specification

MST-32K-12-12

1 2