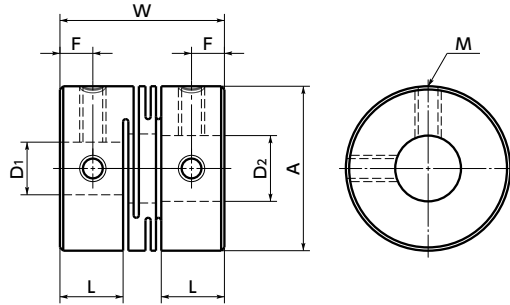


MWS/MWSS Flexible coupling - Slit - type - Set screw type

[WEB Selection Tool](#)
[WEB CAD Download](#)
[Zero Backlash](#)
[SUS Stainless steel](#)

MWS Made of aluminum alloy
MWSS Made of all stainless steel



Dimensions

Unit : mm

Part Number ¹	A	L	W	F	M	Screw Tightening Torque (N·m)	Standard Bore Diameter (dimensional allowance H8) D1-D2 ²								
							2 - 2	3 - 3	4.5 - 5	5 - 5	6 - 6	8 - 8	10 - 10	12 - 14	
MWS-8	8	3.4	10	1.7	M2	0.3	2 - 2	3 - 3							
MWS-12	12	5.2	14	2.5	M2.5	0.5	4 - 4	4 - 5	4.5 - 5	5 - 5					
MWS-16	16	6.8	18	3	M3	0.7	4.5 - 5	5 - 5	5 - 6	6 - 6					
MWS-20	20	7.65	20	3	M3	0.7	5 - 6	5 - 8	6 - 6	6 - 8	8 - 8				
MWS-25	25	9.6	25	4	M4	1.7	5 - 6	6 - 6	6 - 8	8 - 8	8 - 10	10 - 10			
MWS-32	32	12.6	32	6	M4	1.7	8 - 8	8 - 10	10 - 10	10 - 12	12 - 12	12 - 14			
MWSS-8	8	3.4	10	1.7	M2	0.3	2 - 2	3 - 3							
MWSS-12	12	5.2	14	2.5	M2.5	0.5	4 - 4	4 - 5	4.5 - 5	5 - 5					
MWSS-16	16	6.8	18	3	M3	0.7	5 - 5	5 - 6	6 - 6						
MWSS-20	20	7.65	20	3	M3	0.7	5 - 6	5 - 8	6 - 6	6 - 8	8 - 8				
MWSS-25	25	9.6	25	4	M4	1.7	5 - 6	6 - 6	6 - 8	8 - 8	8 - 10	10 - 10			
MWSS-32	32	12.6	32	6	M4	1.7	8 - 8	8 - 10	10 - 10	10 - 12	12 - 12	12 - 14			

- All products are provided with hex socket set screw.
- In a case where the bore diameter is $\phi 4$ or less, the set screw is used in only one place.
- Recommended dimensional allowances of applicable shaft diameter are h6 and h7.

Performance

Part Number	Max. Bore Diameter (mm)	Rated*1 torque (N·m)	Maximum*1 torque (N·m)	Max. Rotational Frequency (min ⁻¹)	Moment*2 of Inertia (kg·m ²)	Static Torsional Stiffness (N·m/rad)	Max. Angular Misalignment (°)	Max. Axial Misalignment (mm)	Mass*2 (g)
MWS-8	4	0.1	0.2	78000	1.0×10^{-8}	24	1	± 0.1	1
MWS-12	6	0.4	0.8	52000	7.0×10^{-8}	80	1	± 0.1	3.1
MWS-16	8	0.5	1	39000	2.8×10^{-7}	180	1	± 0.2	7.4
MWS-20	10	1	2	31000	7.5×10^{-7}	200	1	± 0.2	12
MWS-25	12	2	4	25000	2.3×10^{-6}	780	1	± 0.2	24
MWS-32	16	4	8	19000	8.0×10^{-6}	1100	1	± 0.2	50
MWSS-8	4	0.2	0.4	78000	2.4×10^{-8}	49	1	± 0.1	2.7
MWSS-12	6	0.3	0.6	52000	1.8×10^{-7}	140	1	± 0.1	7.8
MWSS-16	8	0.5	1	39000	7.2×10^{-7}	240	1	± 0.1	18
MWSS-20	10	1	2	31000	2.0×10^{-6}	330	1	± 0.1	32
MWSS-25	12	2	4	25000	6.1×10^{-6}	720	1	± 0.2	63
MWSS-32	16	3.5	7	19000	2.1×10^{-5}	1300	1	± 0.2	130

- *1 Correction of rated torque and max. torque due to load fluctuation is not required.
- *2 These are values with max. bore diameter.

• Part number specification

MWSS-32-10-12



[Additional Keyway at Shaft Hole → P.788](#)
[Cleanroom Wash & Packaging → P.792](#)
[Change to Stainless Steel Screw → P.790](#)