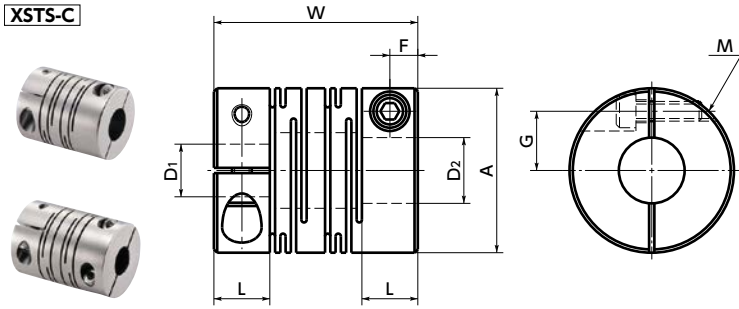


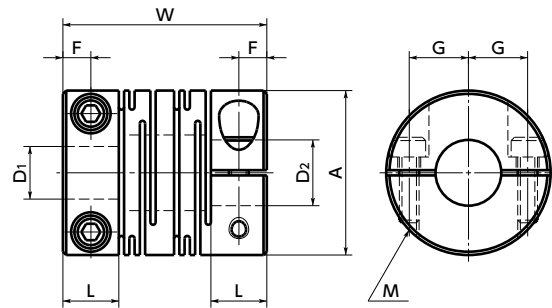
# XSTS-C / XWSS-C Cleanroom / Vacuum / Heat Resistant Coupling - Slit - type (SUS316L) - Clamping Type

[WEB Selection Tool](#)
[WEB CAD Download](#)
[Zero Backlash](#)
[Cleanroom](#)
[Chemical-proof](#)
[SUS Stainless steel](#)

## XSTS-C

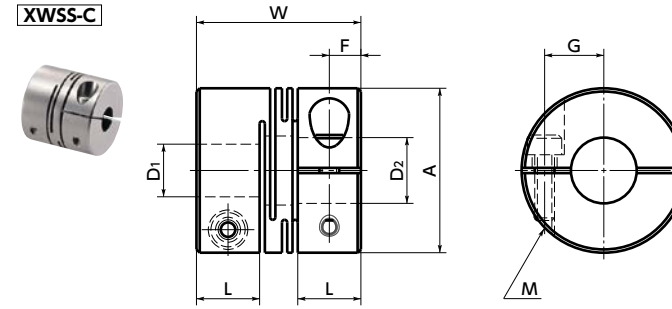


Outside diameter  $\phi 25, \phi 32$



Outside diameter  $\phi 40 - \phi 63$

## XWSS-C



## Dimensions

Unit : mm

Part Number	A	L	W	F	G	M	Screw Tightening Torque*1 (N·m)
XSTS-25C	25	8.5	31	4.25	9	M3	1.5
XSTS-32C	32	12	41	6	11	M4	2.5
XSTS-40C	40	17	56	8.5	14	M5	4
XSTS-50C	50	21	71	10.5	18	M6	8
XSTS-63C	63	26	90	13	24	M8	16
XWSS-25C	25	9.6	25	4.8	9	M3	1.5
XWSS-32C	32	12.6	32	6.3	11	M4	2.5

Part Number	Standard Bore Diameter D1 · D2																
	5	6	8	10	11	12	14	15	16	18	19	20	22	24	25	28	30
XSTS-25C	●	●	●	●													
XSTS-32C			●	●	●	●	●										
XSTS-40C			●	●	●	●	●	●	●	●							
XSTS-50C						●	●	●	●	●	●	●	●				
XSTS-63C							●	●	●	●	●	●	●	●	●	●	●
XWSS-25C	●	●	●	●													
XWSS-32C			●	●	●	●	●										

- All products are provided with hex socket head cap screw.
- Recommended dimensional allowances of applicable shaft diameter are h6 and h7.
- In case of mounting on D-cut shaft, be careful about the position of the D-cut surface of the shaft. → P.257
- \*1 This is a screw tightening torque when inserting a degreased shaft.

## Performance

Part Number	Max. Bore Diameter (mm)	Rated*1 torque (N·m)	Max.*1 torque (N·m)	Max. Rotational Frequency (min <sup>-1</sup> )	Moment*2 of Inertia (kg·m <sup>2</sup> )	Static Torsional Stiffness (N·m/rad)	Max. Lateral Misalignment (mm)	Max. Angular Misalignment (°)	Max. Axial Misalignment (mm)	Mass*2 (g)
XSTS-25C	10	2	4	25000	7.1×10 <sup>-6</sup>	330	0.15	2	±0.4	78
XSTS-32C	14	3.5	7	19000	2.7×10 <sup>-5</sup>	850	0.15	2	±0.5	170
XSTS-40C	18	8	16	15000	9.0×10 <sup>-5</sup>	1000	0.2	2	±0.5	370
XSTS-50C	22	15	30	12000	2.8×10 <sup>-4</sup>	1400	0.2	2	±0.5	750
XSTS-63C	30	35	70	10000	8.8×10 <sup>-4</sup>	1800	0.2	2	±0.5	1400
XWSS-25C	10	2	4	25000	6.3×10 <sup>-6</sup>	720		1	±0.2	69
XWSS-32C	14	3.5	7	19000	2.2×10 <sup>-5</sup>	1300		1	±0.2	150

\*1 Correction of rated torque and max. torque due to load fluctuation is not required.

\*2 These are values with max. bore diameter.

- Part number specification

**XWSS-25C-8-10**



[Additional Keyway at Shaft Hole → P.788](#)
[Cleanroom Wash & Packaging → P.792](#)
[Change to Stainless Steel Screw → P.790](#)

Please feel free to contact us      Cleanroom washed and packed      Changed to the S.S. screw