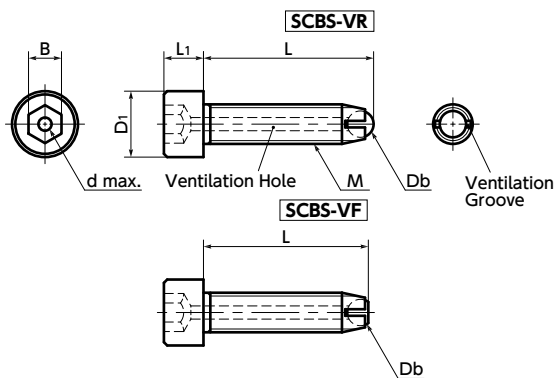




SCBS Clamping Cap Screws with Ventilation Hole

[WEB Selection Tool](#)
[WEB CAD Download](#)
[Vacuum](#)
[Cleanroom wash & packaging](#)
[SUS Stainless steel](#)



● Application

Fixing and locating workpiece, Vacuum devices, FPD production equipment, semiconductor devices

● Material/Finish

RoHS Compliant

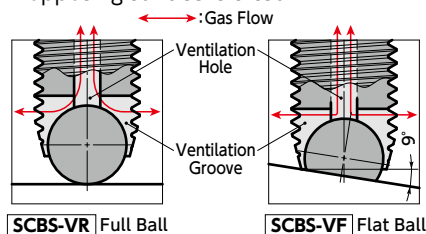
	SCBS
Main Body	SUSXM7 (S.S. grade : A2)
Ball	SUS440C (Hardness 55 - 60HRC) Thin Fluorine Coating

● Part number specification

SCBS-M6-40-VR



- This screw is used to secure work in vacuum devices and vacuum chambers, such as FPD production equipment and semiconductor devices.
- The thin fluorine coating keeps the ball highly lubricated, even after cleanroom washing.
- Ventilation holes and grooves easily release gas trapped in machines.
- **SCBS-VR** has a full ball to firmly secure workpiece at the contact point.
- The contact surface of **SCBS-VF** is a flat ball. Workpiece is not damaged. The ball rotates flexibly up to 9°. It clamps securely even when the opposing surface is tilted.



Unit : mm

SCBS-VR Full Ball		SCBS-VF Flat Ball		Common dimensions								Qty per pack
Part Number	L	Part Number	L	M	D1	L1	Db	B	d	Mass (g)		
SCBS-M5-12-VR	12.6	SCBS-M5-12-VF	12	M5	8.5	5	3	4	1.5	2.9	1	
SCBS-M5-16-VR	16.6	SCBS-M5-16-VF	16	M5	8.5	5	3	4	1.5	3.4	1	
SCBS-M5-20-VR	20.6	SCBS-M5-20-VF	20	M5	8.5	5	3	4	1.5	3.9	1	
SCBS-M5-25-VR	25.6	SCBS-M5-25-VF	25	M5	8.5	5	3	4	1.5	4.4	1	
SCBS-M5-30-VR	30.6	SCBS-M5-30-VF	30	M5	8.5	5	3	4	1.5	5	1	
SCBS-M6-16-VR	16.8	SCBS-M6-16-VF	16	M6	10	6	4	5	2	5.6	1	
SCBS-M6-20-VR	20.8	SCBS-M6-20-VF	20	M6	10	6	4	5	2	6.5	1	
SCBS-M6-25-VR	25.8	SCBS-M6-25-VF	25	M6	10	6	4	5	2	7.6	1	
SCBS-M6-30-VR	30.8	SCBS-M6-30-VF	30	M6	10	6	4	5	2	8.7	1	
SCBS-M6-40-VR	40.8	SCBS-M6-40-VF	40	M6	10	6	4	5	2	11	1	
SCBS-M8-20-VR	21.2	SCBS-M8-20-VF	20	M8	13	8	5.5	6	2	14	1	
SCBS-M8-30-VR	31.2	SCBS-M8-30-VF	30	M8	13	8	5.5	6	2	18	1	
SCBS-M8-40-VR	41.2	SCBS-M8-40-VF	40	M8	13	8	5.5	6	2	22	1	
SCBS-M8-50-VR	51.2	SCBS-M8-50-VF	50	M8	13	8	5.5	6	2	25	1	
SCBS-M10-25-VR	26.7	SCBS-M10-25-VF	25	M10	16	10	7	8	3	26	1	
SCBS-M10-30-VR	31.7	SCBS-M10-30-VF	30	M10	16	10	7	8	3	29	1	
SCBS-M10-40-VR	41.7	SCBS-M10-40-VF	40	M10	16	10	7	8	3	34	1	
SCBS-M10-50-VR	51.7	SCBS-M10-50-VF	50	M10	16	10	7	8	3	39	1	
SCBS-M10-60-VR	61.7	SCBS-M10-60-VF	60	M10	16	10	7	8	3	47	1	

Individual Sales → P.794	Cleanroom Wash & Packaging → P.792	Screw Length Adjustment → P.796	Vibration Resistant → P.795	Modification process for captive use → P.791
1 unit in 1 bag	Cleanroom washed and packed	Not Available	Not Available	Not Available