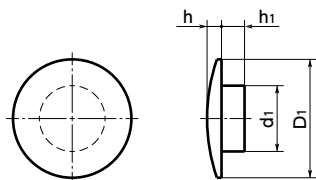




SCC Cover Caps for Socket Head Cap Screws

WEB Selection
Tool

WEB CAD
Download



- Caps protect the hex socket of socket head cap screws from being clogged with foreign matter.

● Application

Protection of screw heads and dust countermeasure

● Material/Finish

RoHS Compliant

	SCC
Main Body	Polypropylene (Gray)

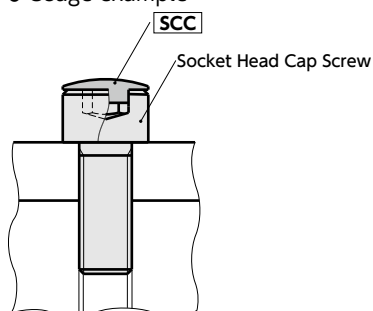
Unit : mm

Part Number	Nominal of*2 Hex Socket Head Cap Screws	d1	D1	h	h1	Mass (g)	Qty*1 per pack
SCC-4	M5	4.2	9	1.3	2.5	0.1	20
SCC-5	M6	5.2	10	1.4	3.1	0.1	20
SCC-6	M8	6.2	13	1.5	4	0.3	20
SCC-8	M10	8.2	16	1.6	5	0.4	20
SCC-10	M12	10.3	18	1.8	6.4	0.6	10
SCC-14	M16	14.4	24	2.2	7	0.9	10
SCC-17	M20	17.4	30	2.5	9	1.2	10

*1 The minimum order quantity is 1 piece. → P.794

*2 For use with socket head cap screws listed in JIS B 1176 : 2006 (ISO 4762 : 1997) "Hexagon Socket Head Cap Screws".

● Usage example



● Part number specification

SCC-10



Order in number of packs.

The minimum order quantity is 1 piece. → P.794

Individual Sales → P.794	Cleanroom Wash & Packaging → P.792	Screw Length Adjustment → P.796	Vibration Resistant → P.795	Modification process for captive use → P.791
Available / Add'l charge	Not Available	Not Available	Not Available	Not Available