



CAD drawing data catalog
is available.



KOGANEI

ACTUATORS GENERAL CATALOG



ROD SLIDERS CONTENTS

Features	893
Handling Instructions and Precautions	896
Standard Cylinders	
Specifications	899
Order Codes	900
Dimensions	901
Cylinders with Shock Absorbers	
Specifications	906
Order Codes	907
Dimensions	909
End Keep Cylinders	
Specifications	913
Order Codes	914
Dimensions	915
Sensor Switches	918



Caution

Before use, be sure to read the "Safety Precautions" on p. 57.

ROD SLIDERS

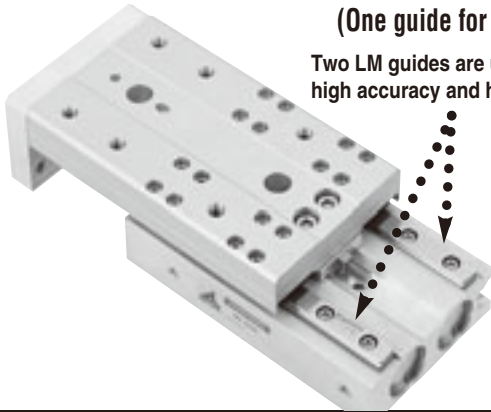
The Alpha Series rod slider combines a twin rod cylinder and guides into the compact slide table, and is a state-of-the-art actuator that achieves high accuracy, high rigidity, and high thrust.

See the wonders of our rod slider before your very eyes!

● Two guides for reliable design!!

(One guide for $\phi 6$ [0.236in.])

Two LM guides are used to achieve high accuracy and high rigidity.

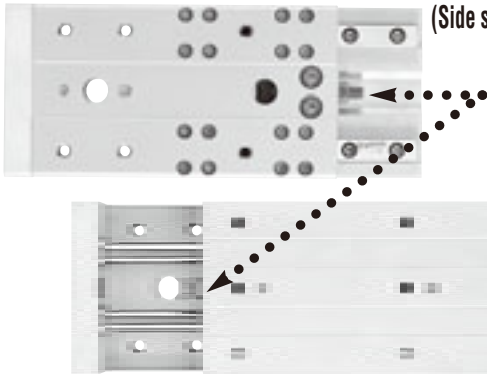


*Alpha
Rod slider*

● Stopper at center line configuration!!

(Side stopper for $\phi 6$ [0.236in.])

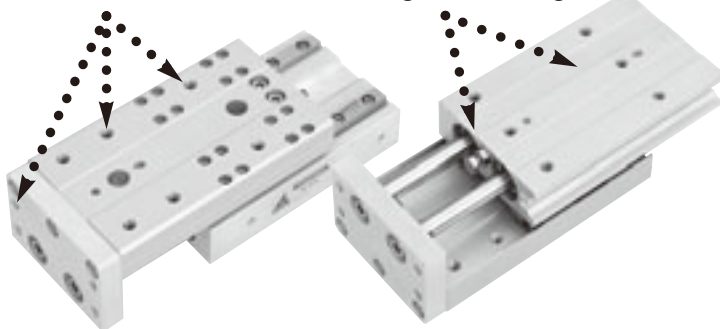
Stopper located in the center line greatly reduces table eccentricity to achieve stable accuracy.



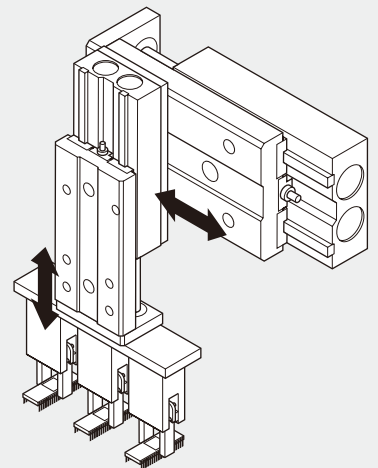
● Heli-sert added to mounting thread!!

(Except for $\phi 6$ [0.236in.])

Heli-sert reinforces the mounting thread strength.



◆ Application example 1



Optimum for Z axis

■ Cylinder with shock absorbers

(ϕ 10, 16, 20, 25 [0.394, 0.630, 0.787, 0.984in.])

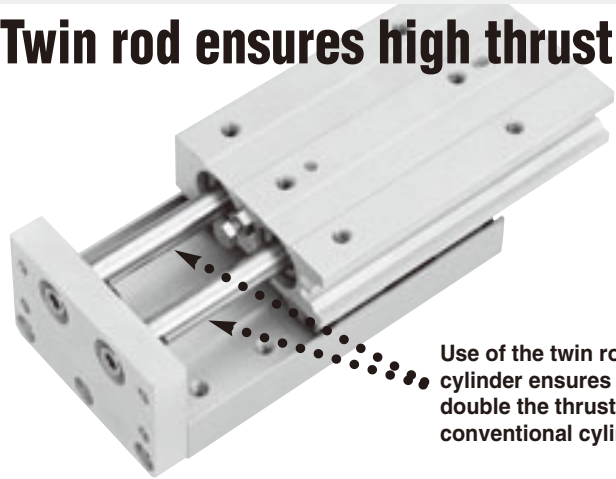


■ End keep cylinder

(ϕ 16, 20, 25 [0.630, 0.787, 0.984in.])

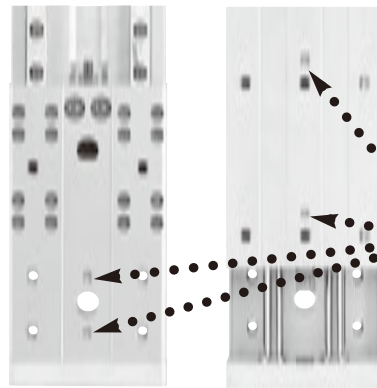


● Twin rod ensures high thrust!!



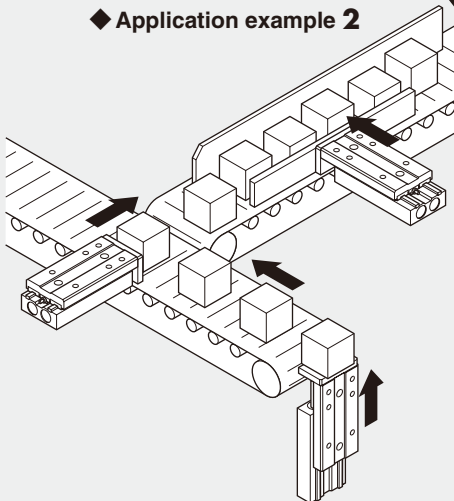
Use of the twin rod cylinder ensures double the thrust of conventional cylinders.

● Locating dowel pin holes already prepared!!



Locating dowel pin holes are prepared to ensure the repeatability of mounting and removing.

◆ Application example 2



● Embedded type sensor switch!!



Embedded type sensor switches can be installed.
* Sensor switch is optional.

Horizontal lead wire

Vertical lead wire

Alpha Rod slider

VARIATIONS

*Three variations are offered,
depending on the application.*

LINE UP

	Bore size mm [in.]				
Specification	6 [0.236]	10 [0.394]	16 [0.630]	20 [0.787]	25 [0.984]
Standard cylinders	●	●	●	●	●
Cylinders with shock absorbers	—	●	●	●	●
End keep cylinders	—	—	●	●	●

● Standard Cylinders

The standard type rod slider achieves high accuracy, high rigidity, and high thrust.

Specifications P. 899

Order codes P. 900

Dimensions P. 901



● Cylinders with Shock Absorbers

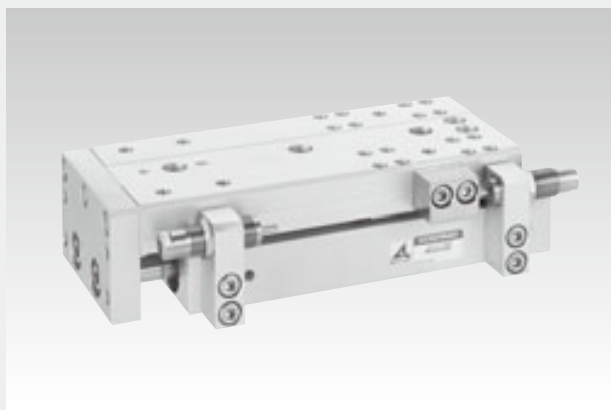
A shock absorber for reducing shocks at the end of the stroke is standard equipment.

(Note: Not available for $\phi 6$ [0.236in.])

Specifications P. 906

Order codes P. 907

Dimensions P. 909



● End Keep Cylinders

Comes with an end keep mechanism to prevent unintended falling the table attaching parts due to a cut-off of the air supply, or a reduction in air pressures.

(Note: Not available for $\phi 6$ [0.236in.] and $\phi 10$ [0.394in.])

Specifications P. 913

Order codes P. 914

Dimensions P. 915



Handling Instructions and Precautions



General precautions

Media

1. Always thoroughly blow off (use compressed air) the tubing before piping. Entering chips, sealing tape, rust, etc., generated during piping work could result in air leaks or other defective operation.
2. Use air for the media. For the use of any other media, consult us.
3. Air used for the cylinder should be clean air that contains no deteriorated compressor oil, etc. Install an air filter (filtration of a minimum 40 μm) near the cylinder or valve to remove collected liquid or dust. In addition, drain the air filter periodically. Collected liquid or dust entering the cylinder may cause improper operation.

Lubrication

1. The product can be used without lubrication, if lubrication is required, use Turbine Oil Class 1 (ISO VG32) or equivalent. Avoid using spindle oil or machine oil.
2. Apply lithium soap-based grease on the raceway surface of the track rail in the guide portion every 6 months or every 300km [186mi.] of traveling distance.

Atmosphere

If using in locations subject to dripping water, dripping oil, etc., or to large amounts of dust, use a cover to protect the unit.



Mounting and stroke adjustment

Mounting

1. While any mounting direction is allowed, the mounting surface should always be flat. Twisting or bending during mounting may disturb the accuracy and may also result in air leaks or improper operation.
2. Caution should be exercised that scratches or dents on the Rod Slider's mounting surface may damage its flatness.
3. In applications subject to large shocks, reinforcing the bolt mounting, by installing a support to the Rod Slider body for example, is recommended.
4. Ensure that the selected Rod Slider body and mounting bolts have sufficient strength.
5. Install stoppers or take other measures when shocks or vibrations might loosen the bolts.
6. Do not leave scratches or dents in the areas where the piston rod contacts. It could result in damage to the seal or in air leaks.



Mounting and stroke adjustment

Stroke adjustment

1. Standard cylinder and end keep cylinder

In the standard cylinders, the stroke can be easily adjusted on both the extended and retracted sides within a range of $-5 \sim 0\text{mm}$ [$-0.197 \sim 0\text{in.}$], while in the end keep cylinders they can be adjusted on the extended sides only within a range of $-5 \sim 0\text{mm}$ [$-0.197 \sim 0\text{in.}$].

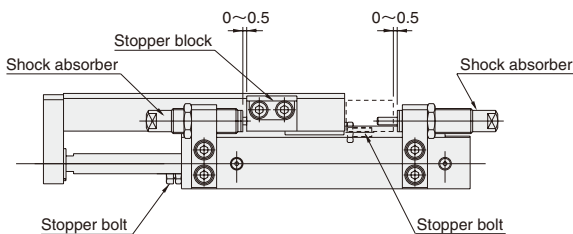
For the retracted side adjustment, turning to the left (counterclockwise) of the stopper bolt for retracted side stroke adjustment shortens the stroke. For the extended side adjustment, turning the stopper bolt to the right (clockwise) shortens the stroke.

After adjustment, tighten the locknut and secure it in place. The stroke at shipping is set to the standard stroke. Do not adjust it to larger than the standard stroke.

2. Cylinder with shock absorber

In cylinders with shock absorbers (ARSZ), the stroke can be adjusted by using the stopper bolt or shock absorber.

If the stopper bolt is used for stroke adjustment, leave a clearance of $0 \sim 0.5\text{mm}$ [$0 \sim 0.020\text{in.}$] between the stopper block and shock absorber after completing adjustment with the stopper bolt, as shown in the diagram below. An adjustment to more than 0.5mm [0.020in.] will greatly reduce the shock absorber's absorption capacity. If the shock absorber is used for stroke adjustment, contact the shock absorber directly with the stopper block to make the adjustment. The stroke at shipping is set to the standard stroke. Do not adjust it to larger than the standard stroke.



Control circuit for the end keep cylinder

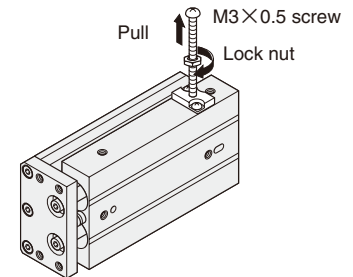
1. For control of the Rod Slider End Keep Cylinder, we recommend the use of 2-position, 4-, 5-port valves. Avoid the use of control circuit with ABR connection (exhaust center) 3-position valves that exhaust air from 2 delivery ports.
2. Always use meter-out control for speed adjustment. Meter-in control may result in failure of the locking mechanism to release.
3. Always set the air pressure to 0.2MPa [29psi.] or more.

- Cautions:**
1. It is dangerous to supply air to a connection port on a side with a locking mechanism while the cylinder has already been exhausted, because the piston rod may suddenly extend, etc. In addition, since the lock piston could also cause galling of the lock piston and piston rod, resulting in defective operation. Always supply air to the connection port opposite the one adjacent to the locking mechanism to ensure applying back pressure.
 2. When restarting operations after air has been exhausted from the cylinder due to completion of operations or to an emergency stop, always start by supplying air to the connection port opposite the one adjacent to the locking mechanism.
 3. Connect the valve port A (NC) to the connection port on the side with the locking mechanism.



Manual operation of locking mechanism

While the locking mechanism is normally released automatically through cylinder operations, it can also be released manually. For manual release, insert an $\text{M}3 \times 0.5$ screw that has 30mm [1.18in.] screw length into the opening for manual override, thread it in about 3 turns into the internal lock piston, and then pull up the screw. To maintain the manual override for adjustment, etc., thread the locknut onto the screw and, with the locking mechanism in a released state, tighten the locknut against the cylinder.



- Cautions:**
1. It is dangerous to release the lock when load (weight) is present on the piston rod, because it may cause the unintended piston rod's extension, etc. In this case, always supply air to the connection port opposite the one adjacent to the locking mechanism before releasing the locking mechanism.
 2. If the locking mechanism cannot easily be released even with manual override, it could be the result of galling of the lock piston and piston rod. In this case, supply air to the connection port opposite the one adjacent to the locking mechanism before releasing the locking mechanism.
 3. Water, oil, dust, etc., intruding through the opening for manual override may cause defective locks or other erratic operation. If using in locations subject to dripping water, dripping oil, etc., or large amounts of dust, use a cover to protect the unit.

3. Tightening torque of the locknut

Before use and after stroke adjustment, secure the locknut with the tightening torque shown below.

Do not tighten to more than the torque shown below, as such action could damage the unit.

Bore size mm [in.]	Locknut for retracted side stopper bolt		Locknut for extended side stopper bolt		Locknut for shock absorber	
	Tightening torque N·m [in·lb]	Nut	Tightening torque N·m [in·lb]	Nut	Tightening torque N·m [in·lb]	Nut
6 [0.236]	0.98 [8.7]	M3×0.5	0.98 [8.7]	M3×0.5	—	—
10 [0.394]	0.98 [8.7]	M3×0.5	1.37 [12.1]	M4×0.7	2.45 [21.7]	M8×0.75
16 [0.630]	1.37 [12.1]	M4×0.7	1.37 [12.1]	M4×0.7	6.37 [56.4]	M10×1
20 [0.787]	2.84 [25.1]	M5×0.8	2.84 [25.1]	M5×0.8	11.77 [104.2]	M12×1
25 [0.984]	2.84 [25.1]	M5×0.8	4.80 [42.5]	M6×1	11.77 [104.2]	M12×1

Cylinder Thrust

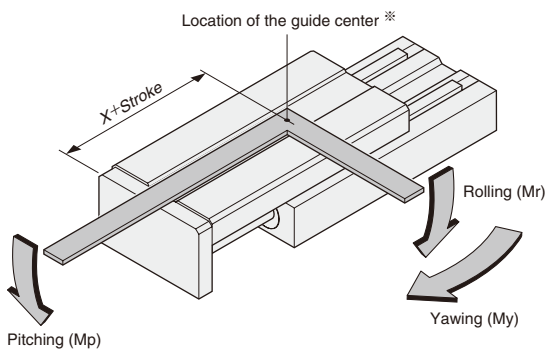
When carrying a load, the load value should be the maximum load capacity or below, and set the load ratio (load ratio = $\frac{\text{Load}}{\text{Calculated value}}$), where the calculated values are shown in the table, to 50% or less when the mounting direction is vertical, and to 70% or less when the mounting direction is horizontal.

Bore size mm [in.]	Rod diameter mm [in.]	Operation	Pressure area mm ² [in. ²]	Air pressure MPa						
				0.2 [29]	0.3 [44]	0.4 [58]	0.5 [73]	0.6 [87]	0.7 [102]	
6 [0.236]	4 [0.157]	Double acting type	Push side	56 [0.087]	11.2 [2.52]	16.8 [3.78]	22.4 [5.04]	28.0 [6.29]	33.6 [7.55]	39.2 [8.81]
			Pull side	31 [0.048]	6.2 [1.39]	9.3 [2.09]	12.4 [2.79]	15.5 [3.48]	18.6 [4.18]	21.7 [4.88]
10 [0.394]	6 [0.236]	Double acting type	Push side	157 [0.243]	31.4 [7.06]	47.1 [10.59]	62.8 [14.12]	78.5 [17.65]	94.2 [21.18]	109.9 [24.71]
			Pull side	100 [0.155]	20.0 [4.50]	30.0 [6.74]	40.0 [8.99]	50.0 [11.24]	60.0 [13.49]	70.0 [15.74]
16 [0.630]	8 [0.315]	Double acting type	Push side	402 [0.623]	80.4 [18.07]	120.6 [27.11]	160.8 [36.15]	201.0 [45.18]	241.2 [54.22]	281.4 [63.26]
			Pull side	301 [0.467]	60.2 [13.53]	90.3 [20.30]	120.4 [27.07]	150.5 [33.83]	180.6 [40.60]	210.7 [47.37]
20 [0.787]	10 [0.394]	Double acting type	Push side	628 [0.973]	125.6 [28.23]	188.4 [42.35]	251.2 [56.47]	314.0 [70.59]	376.8 [84.70]	439.6 [98.82]
			Pull side	471 [0.730]	94.2 [21.18]	141.3 [31.76]	188.4 [42.35]	235.5 [52.94]	282.6 [63.53]	329.7 [74.12]
25 [0.984]	12 [0.472]	Double acting type	Push side	981 [1.521]	196.2 [44.11]	294.3 [66.16]	392.4 [88.21]	490.5 [110.26]	588.6 [132.32]	686.7 [154.37]
			Pull side	755 [1.170]	151.0 [33.94]	226.5 [50.92]	302.0 [67.89]	377.5 [84.86]	453.0 [101.83]	528.5 [118.81]

N [lbf.]

ROD SLIDERS

Allowable Bending Moment

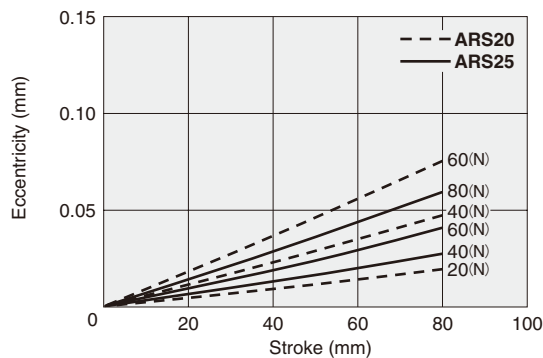
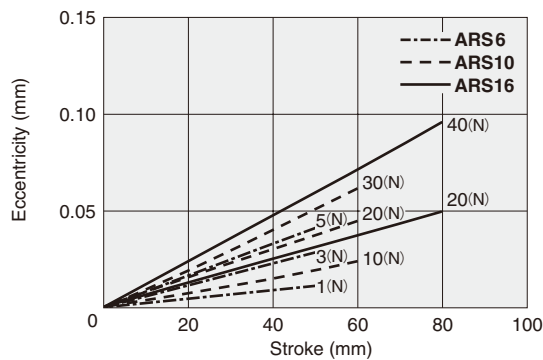
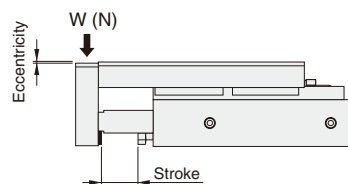


※ Use the location of the guide center in the diagram as the reference position for determining the moment center.

Bore size mm [in.]	Allowable moment		
	Mp (Pitching)	Mr (Rolling)	My (Yawing)
6 [0.236]	2.0 [1.48]	1.0 [0.74]	2.0 [1.48]
10 [0.394]	7.0 [5.16]	7.0 [5.16]	7.0 [5.16]
16 [0.630]	9.0 [6.64]	9.0 [6.64]	9.0 [6.64]
20 [0.787]	14.0 [10.33]	16.0 [11.80]	14.0 [10.33]
25 [0.984]	18.0 [13.28]	20.0 [14.75]	18.0 [13.28]

Bore size	mm [in.]	
	Code	X
6 [0.236]		43 [1.69]
10 [0.394]		43 [1.69]
16 [0.630]		48 [1.89]
20 [0.787]		60 [2.36]
25 [0.984]		60 [2.36]

Square Plate End Eccentricity (Reference Value)



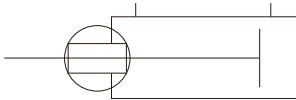
1mm = 0.0394in.

ROD SLIDERS

Standard Cylinders



Symbol



Bore Size and Stroke

Bore size	Standard strokes	Maximum available stroke ^{Note}
6	10, 20, 30, 40, 50	70
10	10, 20, 30, 40, 50, 60	100
16	10, 20, 30, 40, 50, 60, 80	120
20	10, 20, 30, 40, 50, 60, 80	150
25	10, 20, 30, 40, 50, 60, 80	150

Note: For non-standard strokes, see p.920.

Specifications

Model		ARS6	ARS10	ARS16	ARS20	ARS25
Item	mm [in.]	6 [0.236]	10 [0.394]	16 [0.630]	20 [0.787]	25 [0.984]
Operation type		Double acting type				
Media		Air				
Operating pressure range	MPa [psi.]	0.2~0.7 [29~102]				
Proof pressure	MPa [psi.]	1.03 [149]				
Operating temperature range	°C [°F]	0~60 [32~140]				
Operating speed range	mm/s [in./sec.]	150~500 [5.9~19.7]		100~500 [3.9~19.7]		
Cushion		Rubber bumper				
Lubrication	Cylinder portion	Not required (If lubrication is required, use Turbine Oil Class 1 [ISO VG32] or equivalent.)				
	Guide portion	Required (Lithium soap-based grease) ^{Note1}				
Repeatability	mm [in.]	±0.05 [±0.002]				
Traveling parallelism	mm [in.]	0.1 [0.004]				
Square plate perpendicularity	mm [in.]	0.1 [0.004]				
Stroke adjusting range ^{Note 2}	mm [in.]	Extended side: -5~0 [-0.197~0] Retracted side: -5~0 [-0.197~0]				
Maximum load capacity	N [lbf.]	4.9 [1.10]	29.4 [6.61]	39.2 [8.81]	58.8 [13.22]	78.5 [17.65]
Port size		M5×0.8				

Notes: 1. Apply grease on the raceway surface of the track rail every 6 months or every 300km [186mi.] of traveling distance.

2. For stroke adjustment, keep within the adjusting ranges shown above.

Remark: Stainless steel is used for the guides.

Mass

● Main body mass		
Bore size mm [in.]	Zero stroke mass	Additional mass for each 10mm [0.394in.] stroke
6 [0.236]	150 [5.29]	20 [0.71]
10 [0.394]	315 [11.11]	35 [1.23]
16 [0.630]	450 [15.87]	50 [1.76]
20 [0.787]	765 [26.98]	85 [3.00]
25 [0.984]	1295 [45.68]	105 [3.70]

● Additional mass of option (1 sensor switch)	
Model	Mass
ZE101, ZE102, ZE201, ZE202,	15 [0.53] (For a lead wire of 1000mm [39in.])
ZE135, ZE155, ZE235, ZE255	35 [1.23] (For a lead wire of 3000mm [118in.])

Order Codes

ARS

16×50

Bore size
×
Stroke

Alpha series
Rod slider
standard cylinder

Sensor switch

ZE101 : Reed switch type without indicator lamp
ZE102 : Reed switch type with indicator lamp
ZE201 : Reed switch type without indicator lamp
ZE202 : Reed switch type with indicator lamp
ZE135 : 2-lead wire Solid state type with indicator lamp
ZE155 : 3-lead wire Solid state type with indicator lamp
ZE235 : 2-lead wire Solid state type with indicator lamp
ZE255 : 3-lead wire Solid state type with indicator lamp
Blank : No sensor switch

Lead wire length

A : 1000mm [39in.]
B : 3000mm [118in.]

Number of sensor switches

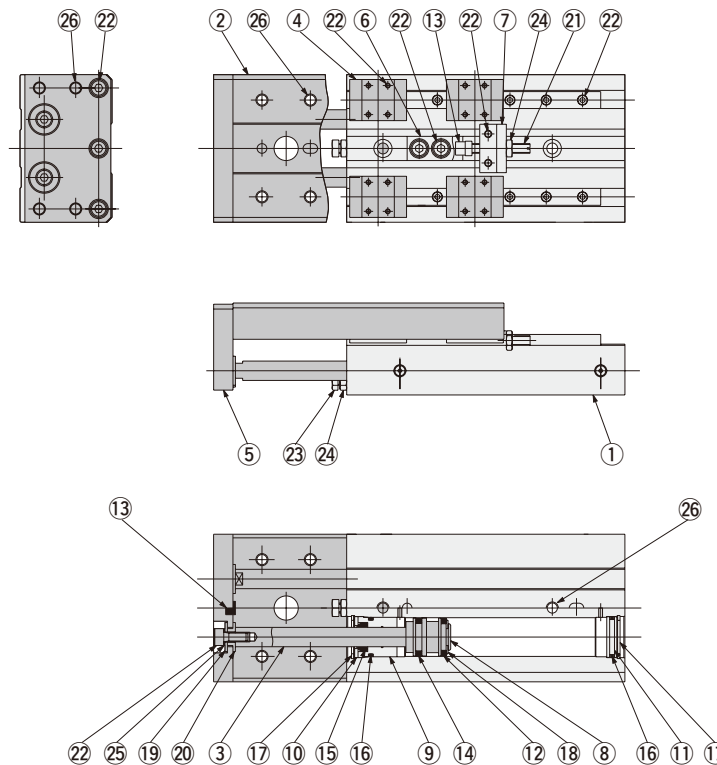
1 : With 1 sensor switch
2 : With 2 sensor switches
3 : With 3 sensor switches
 ⋮

Horizontal lead wire DC5~28V, AC85~115V
 Horizontal lead wire DC10~28V, AC85~115V
 Vertical lead wire^{Note} DC5~28V, AC85~115V
 Vertical lead wire^{Note} DC10~28V, AC85~115V
 Horizontal lead wire DC10~28V
 Horizontal lead wire DC4.5~28V
 Vertical lead wire^{Note} DC10~28V
 Vertical lead wire^{Note} DC4.5~28V

Note: In the vertical lead wire type, the lead wire protrudes at a right angle to the sensor switch.

●For details of sensor switches, see p.1544.

Inner Construction



Major Parts and Materials

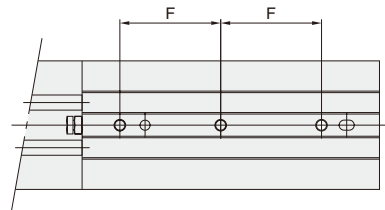
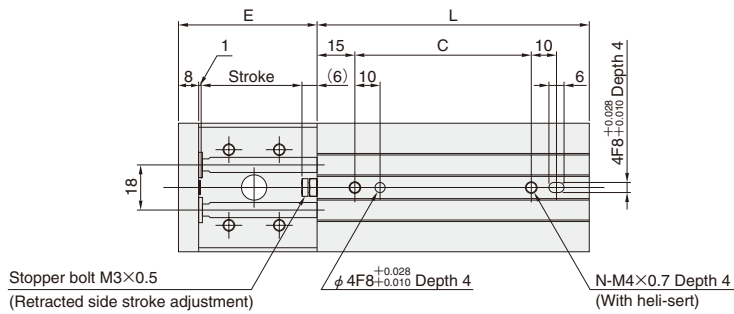
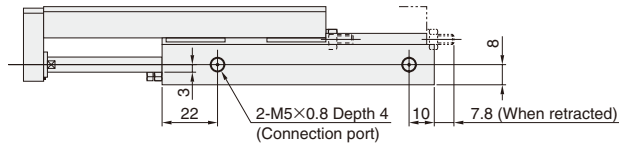
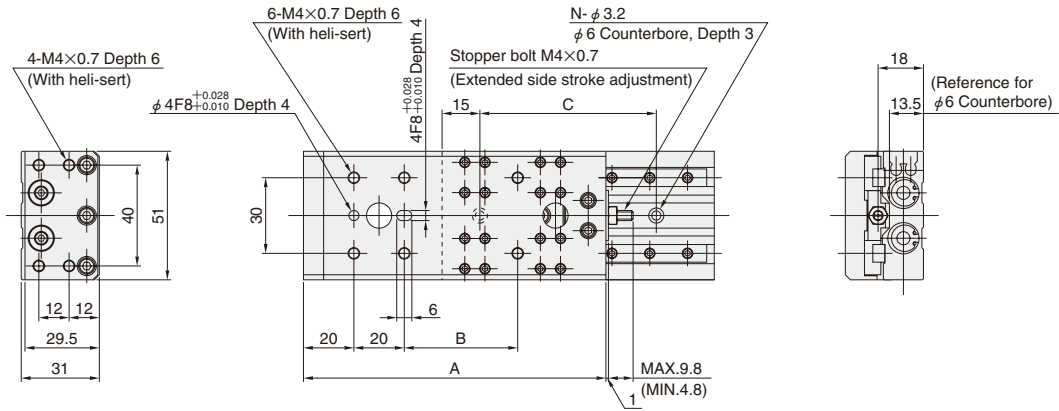
No.	Parts	Materials	Remarks
①	Main body	Aluminum alloy (anodized)	
②	Table	Aluminum alloy (anodized)	
③	Piston rod	Steel (hard chrome plated)	Stainless steel for φ 6 [0.236in.] Stainless steel (hard chrome plated) for φ 10 [0.394in.]
④	Linear guide	Stainless steel	
⑤	Square plate	Aluminum alloy (anodized)	
⑥	Block	Aluminum alloy (anodized)	
⑦	Bracket	Aluminum alloy (anodized)	Not available for φ 6 [0.236in.]
⑧	Piston	Aluminum alloy (chromic acid anodic oxide coating)	Brass for φ 6 [0.236in.] only
⑨	Housing	Aluminum alloy (anodized)	
⑩	Seal holder	Mild steel (nickel plated)	Aluminum (anodized) for φ 6 [0.236in.] only
⑪	End plate	Plastic	
⑫	Magnet	Sintered alloy magnet	

No.	Parts	Materials	Remarks
⑬	Bumper	Synthetic rubber (NBR)	
⑭	Piston seal	Synthetic rubber (NBR)	
⑮	Rod seal	Synthetic rubber (NBR)	
⑯	O-ring	Synthetic rubber (NBR)	
⑰	Snap ring	Steel (nickel plated)	
⑱	E-ring	Stainless steel	
⑲	Bolt retainer	Mild steel (nickel plated)	
⑳	Sleeve	Mild steel (nickel plated)	
㉑	Stopper bolt	Stainless steel (nickel plated)	For extended side stroke adjustment
㉒	Hexagon socket head bolt	Stainless steel, Steel (nickel plated)	
㉓	Stopper bolt	Stainless steel	For retracted side stroke adjustment
㉔	Nut	Stainless steel	
㉕	Washer	Steel (nickel plated)	Not available in φ 6 [0.236in.]
㉖	Heli-sert	Stainless steel	Not available in φ 6 [0.236in.]

Note: The shapes at φ 6 are different. (See dimensions)

Dimensions of Rod Slider Standard Cylinder (mm)

● ARS10 × Stroke

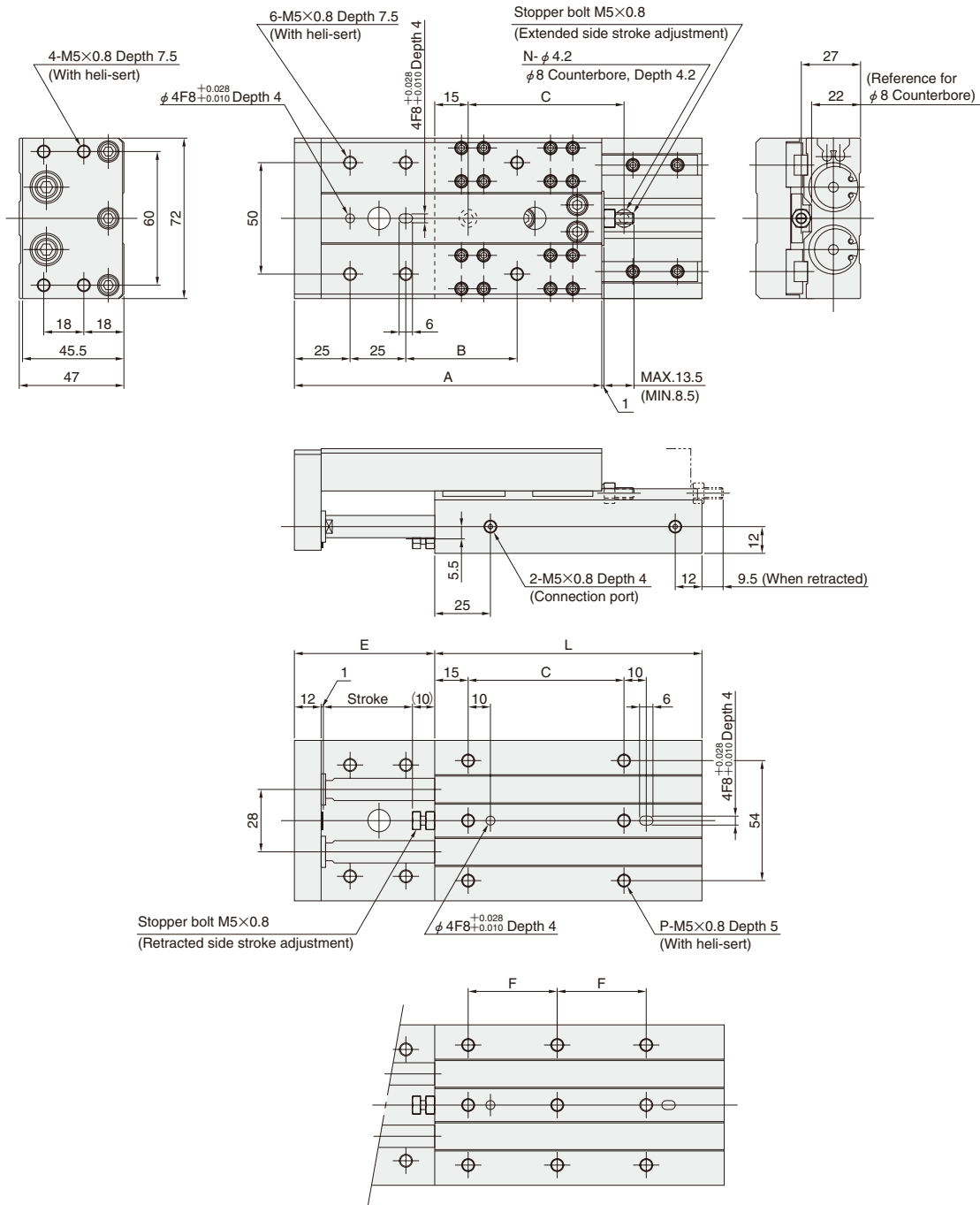


● For 50 and 60mm strokes

Stroke	Code	A	B	C	E	F	L	N
10		90	15	40	25	—	78	2
20		100	25	50	35	—	88	2
30		110	35	60	45	—	98	2
40		120	45	70	55	—	108	2
50		130	55	80	65	40	118	3
60		140	65	90	75	45	128	3

Dimensions of Rod Slider Standard Cylinder (mm)

● ARS20 × Stroke

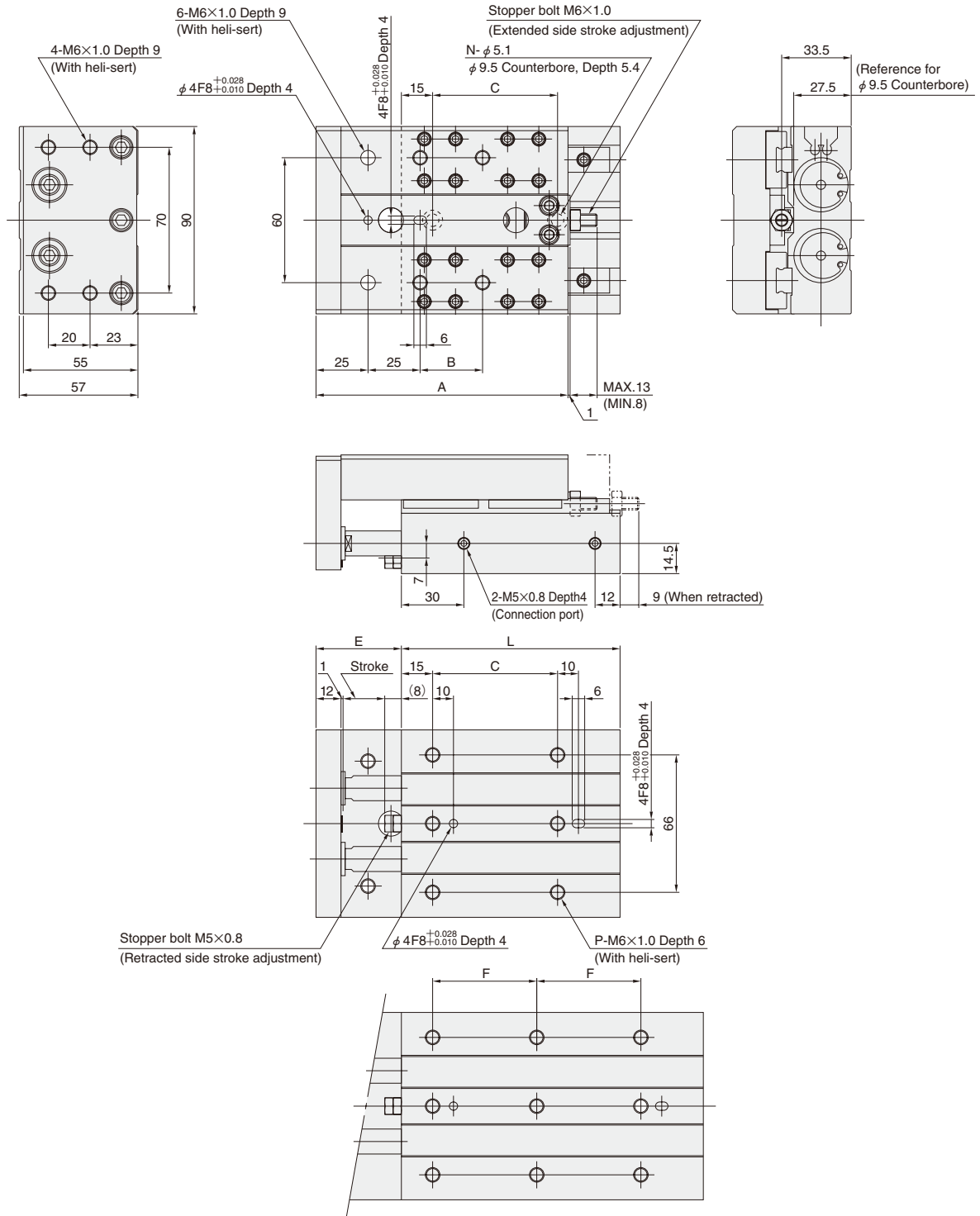


● For 50, 60, and 80mm strokes

Stroke	Code	A	B	C	E	F	L	N	P
10	108	20	40	33	—	90	2	6	
20	118	30	50	43	—	100	2	6	
30	128	40	60	53	—	110	2	6	
40	138	50	70	63	—	120	2	6	
50	148	60	80	73	40	130	3	9	
60	158	70	90	83	45	140	3	9	
80	178	90	110	103	55	160	3	9	

Dimensions of Rod Slider Standard Cylinder (mm)

● ARS25 × Stroke

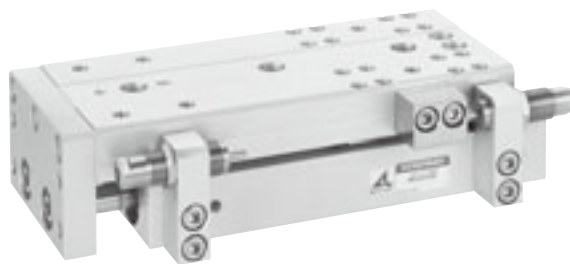


● For 60 and 80mm strokes

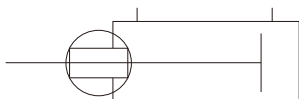
Stroke	Code	A	B	C	E	F	L	N	P
10	111	20	50	31	—	95	2	6	
20	121	30	60	41	—	105	2	6	
30	131	40	70	51	—	115	2	6	
40	141	50	80	61	—	125	2	6	
50	151	60	90	71	—	135	2	6	
60	161	70	100	81	50	145	3	9	
80	181	90	120	101	60	165	3	9	

ROD SLIDERS

Cylinders with Shock Absorbers



Symbol



Bore Size and Stroke

mm		
Bore size	Standard strokes	Maximum available stroke ^{Note}
10	10, 20, 30, 40, 50, 60	100
16	10, 20, 30, 40, 50, 60, 80	120
20	10, 20, 30, 40, 50, 60, 80	150
25	10, 20, 30, 40, 50, 60, 80	150

Note: For non-standard strokes, consult us.

Specifications

Model		ARSZ10	ARSZ16	ARSZ20	ARSZ25
Item					
Bore size	mm [in.]	10 [0.394]	16 [0.630]	20 [0.787]	25 [0.984]
Operation type		Double acting type			
Media		Air			
Operating pressure range	MPa [psi.]	0.2~0.7 [29~102]			
Proof pressure	MPa [psi.]	1.03 [149]			
Operating temperature range	°C [°F]	0~60 [32~140]			
Operating speed range	mm/s [in./sec.]	150~500 [5.9~19.7]	100~500 [3.9~19.7]		
Cushion		Shock absorber, Rubber bumper			
Lubrication	Cylinder portion	Not required (If lubrication is required, use Turbine Oil Class 1 [ISO VG32] or equivalent.)			
	Guide portion	Required (Lithium soap-based grease) ^{Note 1}			
Repeatability	mm [in.]	±0.05 [±0.002]			
Traveling parallelism	mm [in.]	0.1 [0.004]			
Square plate perpendicularity	mm [in.]	0.1 [0.004]			
Stroke adjusting range ^{Note 2}	mm [in.]	Extended side: -5~0 [-0.197~0] Retracted side: -5~0 [-0.197~0]			
Maximum load capacity	N [lbf.]	29.4 [6.61]	39.2 [8.81]	58.8 [13.22]	78.5 [17.65]
Port size		M5×0.8			

Notes: 1. Apply grease on the raceway surface of the track rail every 6 months or every 300km [186mi.] of traveling distance.

2. For stroke adjusting, keep within the adjusting ranges shown above.

Remark: Stainless steel is used for the guides.

Shock Absorber Specifications

Model		KSHA5×5-D	KSHA6×8-F	KSHA7×8-G	KSHA7×8-K
Item					
Applicable cylinder		ARSZ10	ARSZ16	ARSZ20	ARSZ25
Maximum absorption ^{Note}	J [ft·lbf]	1.0 [0.74]	2.9 [2.1]	3.9 [2.9]	5.9 [4.4]
Absorbing stroke	mm [in.]	5 [0.197]	8 [0.315]		
Maximum impact speed	m/s [ft./sec.]	1.0 [3.28]			
Maximum operating frequency	cycle/min	60	30		
Spring return force	N [lbf]	3.9 [0.88]	6.5 [1.46]		
Angle variation		1° or less	3° or less		
Operating temperature range	°C [°F]	0~60 [32~140]			
Mass	g [oz.]	7 [0.25]	20 [0.71]	28 [0.99]	

Note: Even within the range of the shock absorber's absorption capacity, be sure to observe the Rod Slider's maximum load capacity and maximum speed for operation.

Remarks: 1. Do not loosen or remove the small lock screw on the end of the shock absorber body. Oil enclosed inside will leak out, and the shock absorber will fail.

2. The life of the shock absorber may vary from the Rod Slider, depending on its operating conditions.

3. For details of shock absorbers, see the General Catalog of Air Treatment, Auxiliary, Vacuum.

Mass

● Main body mass

g [oz.]

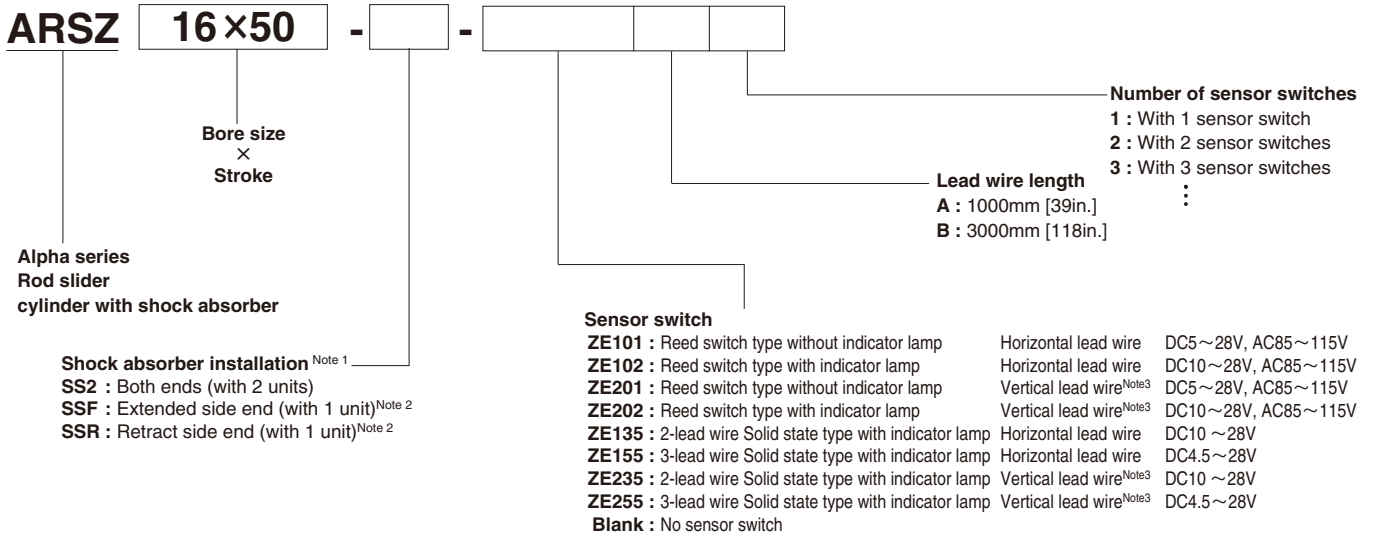
Bore size mm [in.]	Zero stroke mass		Additional mass for each 10mm [0.394in.] stroke
	ARSZ-SS2	ARSZ-SSF,SSR	
10 [0.394]	363 [12.80]	346 [12.20]	35 [1.23]
16 [0.630]	523 [18.45]	494 [17.43]	50 [1.76]
20 [0.787]	900 [31.75]	850 [29.98]	85 [3.00]
25 [0.984]	1463 [51.60]	1398 [49.31]	105 [3.70]

● Additional mass of option (1 sensor switch)

g [oz.]

Model	Mass
ZE101, ZE102, ZE201, ZE202,	15 [0.53] (For a lead wire of 1000mm [39in.])
ZE135, ZE155, ZE235, ZE255	35 [1.23] (For a lead wire of 3000mm [118in.])

Order Codes



Notes: 1. A cylinder with shock absorber is not available for the end keep cylinders.

2. For cylinders with 1 shock absorber (SSF or SSR), no additional mountings on the other side can be made.

3. In the vertical lead wire type, the lead wire protrudes at a right angle to the sensor switch.

● For details of sensor switches, see p.1544.

Additional Parts

● Shock absorber (Fixed absorption capacity type)

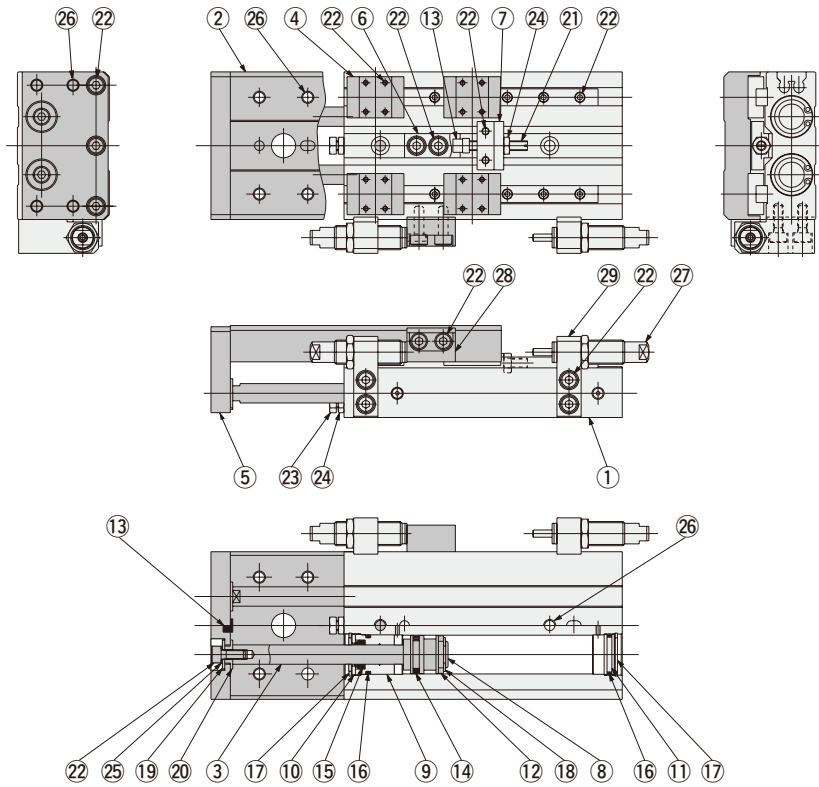
KSHA5×5-D (For ARSZ10)

KSHA6×8-F (For ARSZ16)

KSHA7×8-G (For ARSZ20)

KSHA7×8-K (For ARSZ25)

Inner Construction



ROD SLIDERS

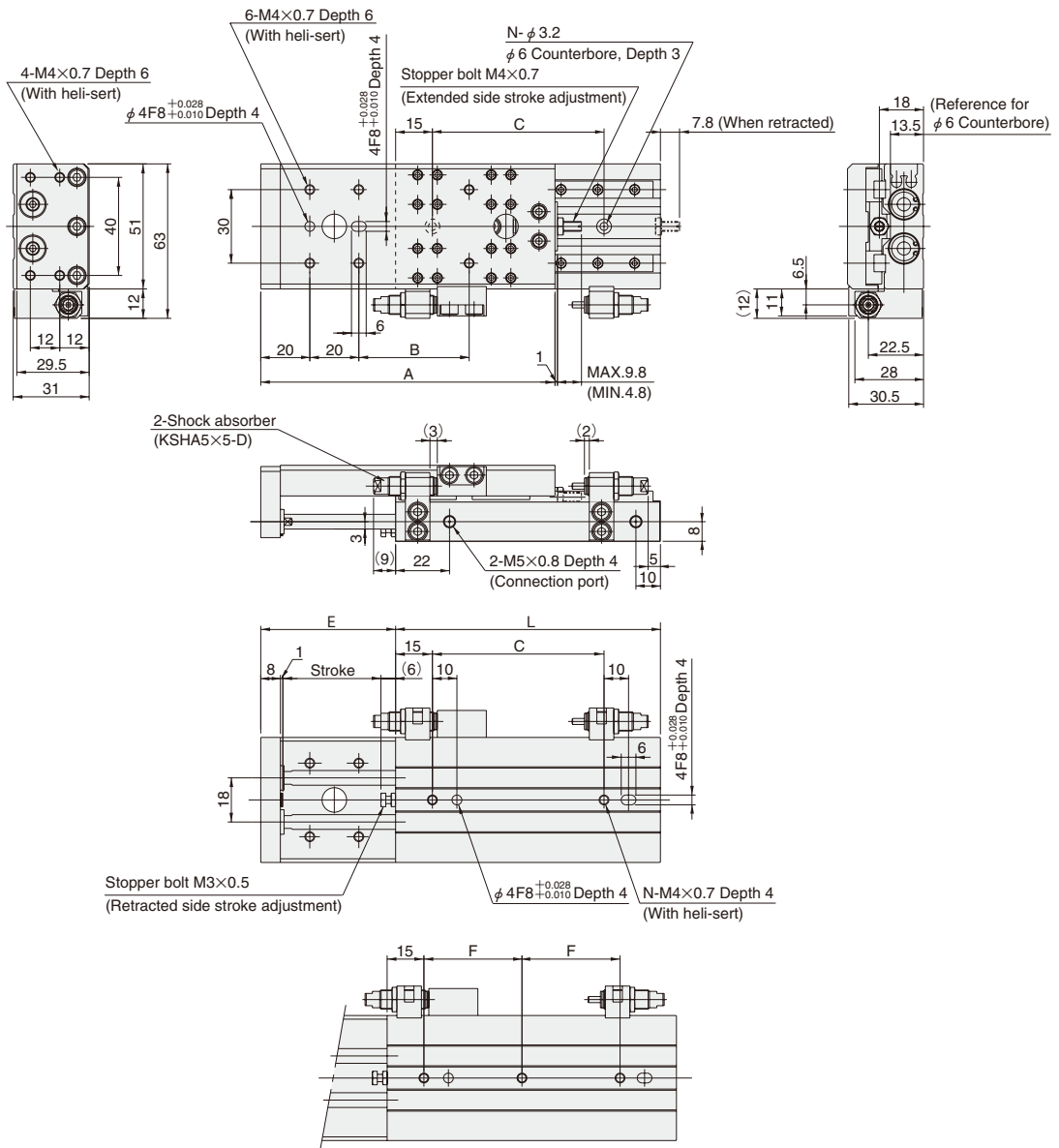
Major Parts and Materials

No.	Parts	Materials	Remarks
①	Main body	Aluminum alloy (anodized)	
②	Table	Aluminum alloy (anodized)	
③	Piston rod	Steel (hard chrome plated)	Stainless steel (hard chrome plated) for $\phi 10$ [0.394in.]
④	Linear guide	Stainless steel	
⑤	Square plate	Aluminum alloy (anodized)	
⑥	Block	Aluminum alloy (anodized)	
⑦	Bracket	Aluminum alloy (anodized)	
⑧	Piston	Aluminum alloy (chromic acid anodic oxide coating)	
⑨	Housing	Aluminum alloy (anodized)	
⑩	Seal holder	Mild steel (nickel plated)	
⑪	End plate	Plastic	
⑫	Magnet	Sintered alloy magnet	
⑬	Bumper	Synthetic rubber (NBR)	
⑭	Piston seal	Synthetic rubber (NBR)	

No.	Parts	Materials	Remarks
⑮	Rod seal	Synthetic rubber (NBR)	
⑯	O-ring	Synthetic rubber (NBR)	
⑰	Snap ring	Steel (nickel plated)	
⑱	E-ring	Stainless steel	
⑲	Bolt retainer	Mild steel (nickel plated)	
⑳	Sleeve	Mild steel (nickel plated)	
㉑	Stopper bolt	Stainless steel (nickel plated)	For extended side stroke adjustment
㉒	Hexagon socket head bolt	Stainless steel, Steel (nickel plated)	
㉓	Stopper bolt	Stainless steel	For retracted side stroke adjustment
㉔	Nut	Stainless steel	
㉕	Washer	Steel (nickel plated)	
㉖	Heli-sert	Stainless steel	
㉗	Shock absorber	—	
㉘	Block	Steel (heat treatment)	
㉙	Bracket	Aluminum alloy (anodized)	

Dimensions of Rod Slider Cylinder with Shock Absorber (mm)

● ARSZ10 × Stroke



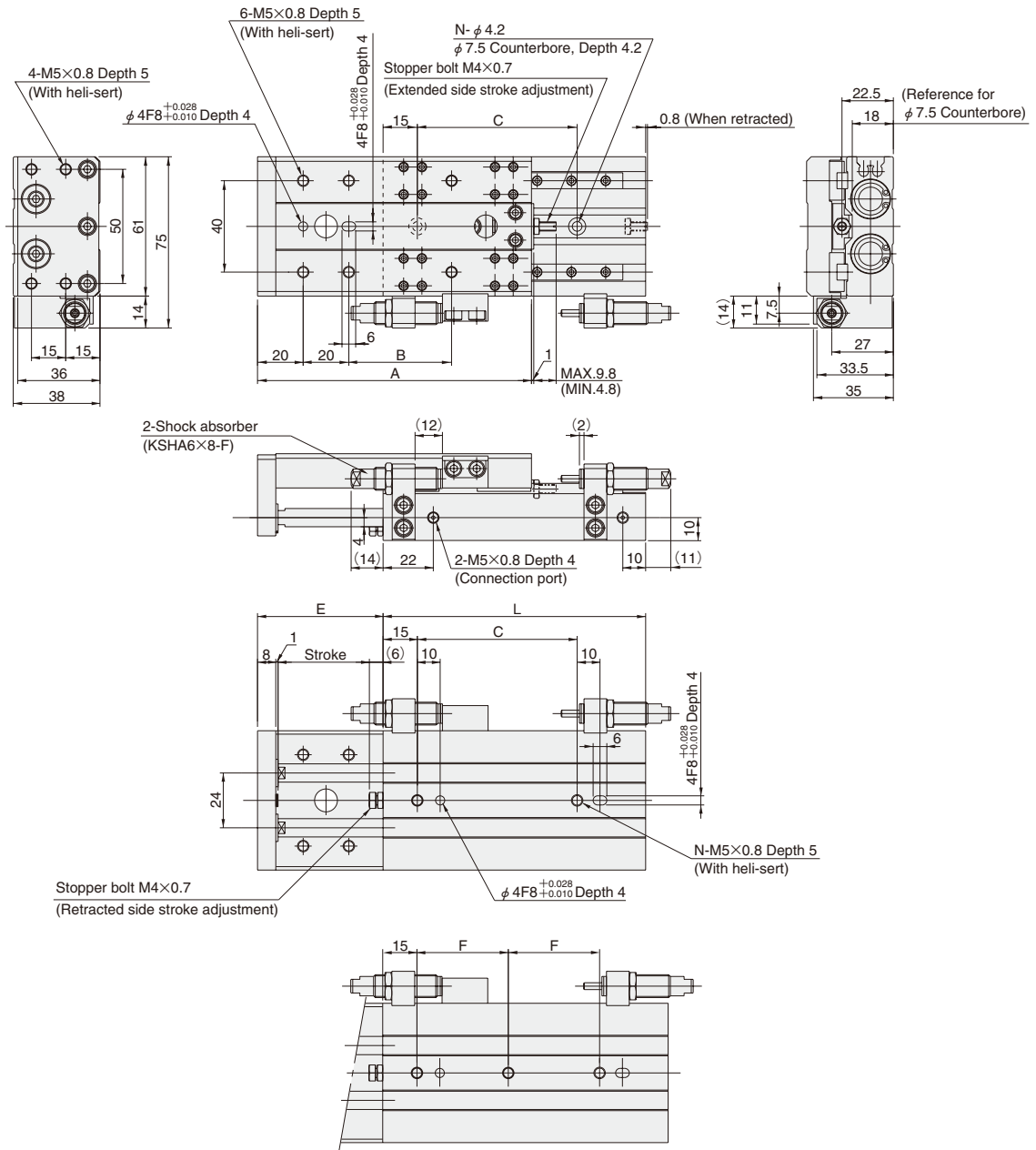
● For 50mm and longer strokes

Notes: 1. The drawings above show **-SS2** with shock absorbers on both ends (with 2 units).
 2. Either the shock absorber or stopper bolt can be used for extended or retracted side stroke adjustments of $-5 \sim 0\text{mm}$ [$-0.197 \sim 0\text{in.}$].

Stroke \ Code	A	B	C	E	F	L	N
10	90	15	40	25	—	78	2
20	100	25	50	35	—	88	2
30	110	35	60	45	—	98	2
40	120	45	70	55	—	108	2
50	130	55	80	65	40	118	3
60	140	65	90	75	45	128	3

Dimensions of Rod Slider Cylinder with Shock Absorber (mm)

● ARSZ16 × Stroke



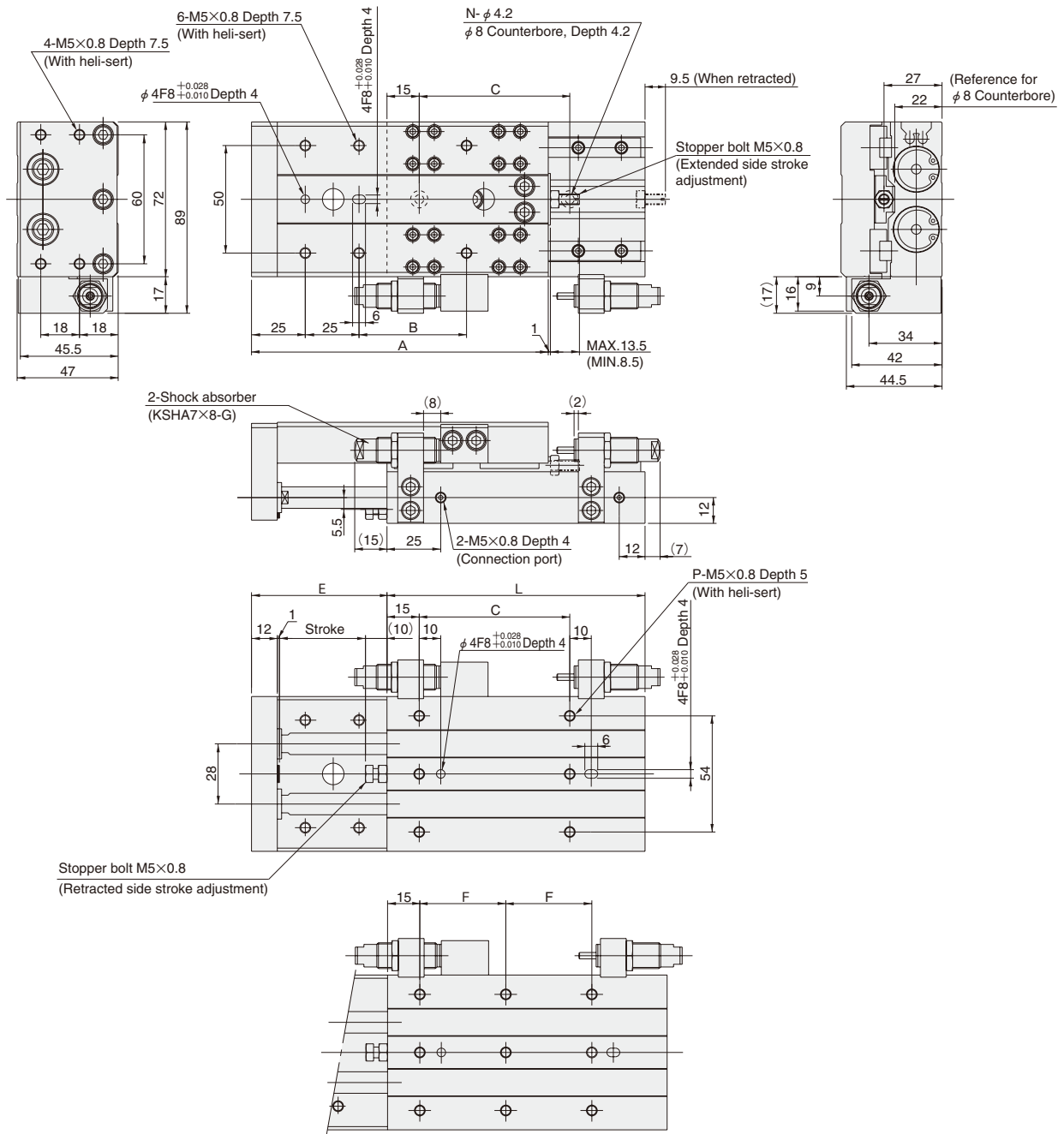
● For 50mm and longer strokes

Notes: 1. The drawings above show **-SS2** with shock absorbers on both ends (with 2 units).
2. Either the shock absorber or stopper bolt can be used for extended or retracted side stroke adjustments of $-5 \sim 0\text{mm}$ [$-0.197 \sim 0\text{in.}$].

Stroke	Code	A	B	C	E	F	L	N
10	90	15	40	25	—	85	2	
20	100	25	50	35	—	95	2	
30	110	35	60	45	—	105	2	
40	120	45	70	55	—	115	2	
50	130	55	80	65	40	125	3	
60	140	65	90	75	45	135	3	
80	160	85	110	95	55	155	3	

Dimensions of Rod Slider Cylinder with Shock Absorber (mm)

● ARSZ20 × Stroke



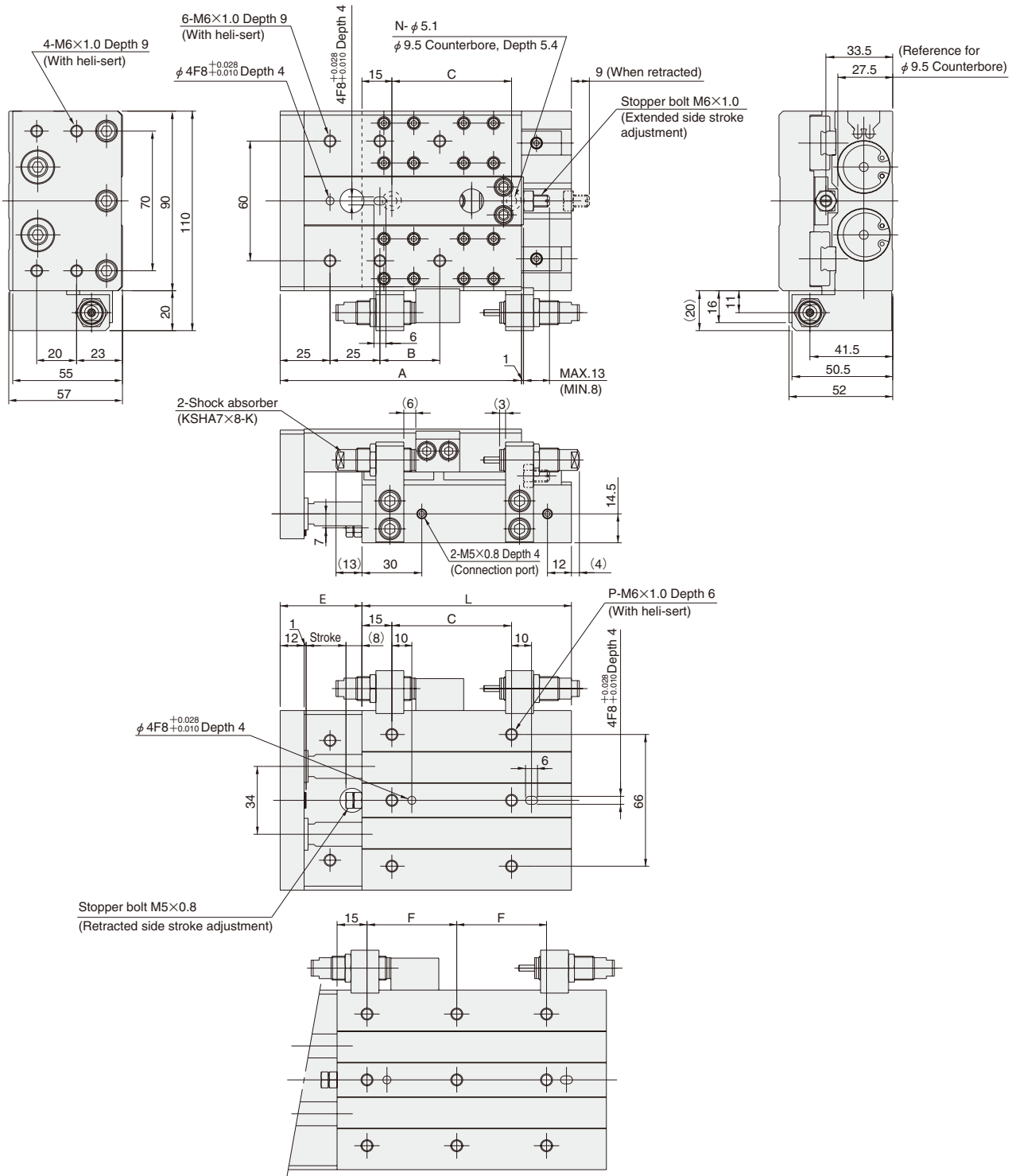
● For 50mm and longer strokes

Notes: 1. The drawings above show **-SS2** with shock absorbers on both ends (with 2 units).
 2. Either the shock absorber or stopper bolt can be used for extended or retracted side stroke adjustments of $-5 \sim 0\text{mm}$ [$-0.197 \sim 0\text{in.}$].

Stroke	Code	A	B	C	E	F	L	N	P
10	108	20	40	33	—	90	2	6	
20	118	30	50	43	—	100	2	6	
30	128	40	60	53	—	110	2	6	
40	138	50	70	63	—	120	2	6	
50	148	60	80	73	40	130	3	9	
60	158	70	90	83	45	140	3	9	
80	178	90	110	103	55	160	3	9	

Dimensions of Rod Slider Cylinder with Shock Absorber (mm)

● ARSZ25 × Stroke



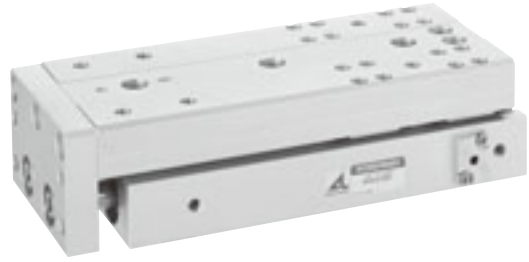
● For 50mm and longer strokes

Stroke	Code	A	B	C	E	F	L	N	P
10	111	20	50	31	—	95	2	6	
20	121	30	60	41	—	105	2	6	
30	131	40	70	51	—	115	2	6	
40	141	50	80	61	—	125	2	6	
50	151	60	90	71	—	135	2	6	
60	161	70	100	81	50	145	3	9	
80	181	90	120	101	60	165	3	9	

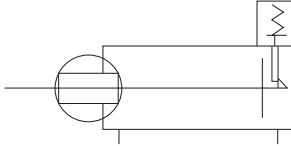
- Notes: 1. The drawings above show **-SS2** with shock absorbers on both ends (with 2 units).
 2. Either the shock absorber or stopper bolt can be used for extended or retracted side stroke adjustments of $-5 \sim 0\text{mm}$ [$-0.197 \sim 0\text{in.}$].

ROD SLIDERS

End Keep Cylinders



Symbol



Bore Size and Stroke

mm		
Bore size	Standard strokes	Maximum available stroke ^{Note}
16	10, 20, 30, 40, 50, 60, 80	120
20	10, 20, 30, 40, 50, 60, 80	150
25	10, 20, 30, 40, 50, 60, 80	150

Note: For non-standard strokes, consult us.

Specifications

Model		ARSK16	ARSK20	ARSK25
Item				
Bore size	mm [in.]	16 [0.630]	20 [0.787]	25 [0.984]
Operation type		Double acting type		
Media		Air		
Operating pressure range	MPa [psi.]	0.2~0.7 [29~102]		
Proof pressure	MPa [psi.]	1.03 [149]		
Operating temperature range	°C [°F]	0~60 [32~140]		
Operating speed range	mm/s [in./sec.]	100~500 [3.9~19.7]		
Cushion		Rubber bumper		
Lubrication	Cylinder portion	Not required (If lubrication is required, use Turbine Oil Class 1 [ISO VG32] or equivalent.)		
	Guide portion	Required (Lithium soap-based grease) ^{Note 1}		
Repeatability	mm [in.]	±0.05 [±0.002]		
Traveling parallelism	mm [in.]	0.1 [0.004]		
Square plate perpendicularity	mm [in.]	0.1 [0.004]		
Stroke adjusting range ^{Note 2}	mm [in.]	Extended side: -5~0 [-0.197~0] Retracted side: No stroke adjustment possible		
Maximum load capacity	N [lbf.]	39.2 [8.81]	58.8 [13.22]	78.5 [17.65]
Maximum holding force (At end keep) ^{Note 3}	N [lbf.]	96.1 [21.6]	151 [33.9]	235.4 [52.9]
Backlash (At end keep)	mm [in.]	1 [0.039] MAX.		
Port size		M5×0.8		

Notes: 1. Apply grease on the raceway surface of the track rail every 6 months or every 300km [186mi.] of traveling distance.

2. For extended side stroke adjustment, keep within the adjusting ranges shown above. Note, that retracted side stroke adjustment cannot be made because of the end keep mechanism. Moreover, as the stopper bolt on the retracted side is locked in place by adhesive, do not attempt to loosen it.

3. Product life at maximum holding force is 0.5million cycles.

Remark: Stainless steel is used for the guides.

Mass

● Main body mass

g [oz.]

Bore size mm [in.]	Zero stroke mass	Additional mass for each 10mm [0.394in.] stroke
16 [0.630]	470 [16.58]	50 [1.76]
20 [0.787]	791 [27.90]	85 [3.00]
25 [0.984]	1340 [47.27]	105 [3.70]

● Additional mass of option (1 sensor switch)

g [oz.]

Model	Mass
ZE101, ZE102, ZE201, ZE202,	15 [0.53] (For a lead wire of 1000mm [39in.])
ZE135, ZE155, ZE235, ZE255	35 [1.23] (For a lead wire of 3000mm [118in.])

Order Codes

ARSK **16×50** -

Alpha series
Rod slider
end keep cylinder Note1

Note1: End keep position on head side only

Bore size
×
Stroke

Sensor switch

ZE101 : Reed switch type without indicator lamp
ZE102 : Reed switch type with indicator lamp
ZE201 : Reed switch type without indicator lamp
ZE202 : Reed switch type with indicator lamp
ZE135 : 2-lead wire Solid state type with indicator lamp
ZE155 : 3-lead wire Solid state type with indicator lamp
ZE235 : 2-lead wire Solid state type with indicator lamp
ZE255 : 3-lead wire Solid state type with indicator lamp
Blank : No sensor switch

Lead wire length

A : 1000mm [39in.]
B : 3000mm [118in.]

Horizontal lead wire DC5~28V, AC85~115V
 Horizontal lead wire DC10~28V, AC85~115V
 Vertical lead wire^{Note2} DC5~28V, AC85~115V
 Vertical lead wire^{Note2} DC10~28V, AC85~115V
 Horizontal lead wire DC10~28V
 Horizontal lead wire DC4.5~28V
 Vertical lead wire^{Note2} DC10~28V
 Vertical lead wire^{Note2} DC4.5~28V

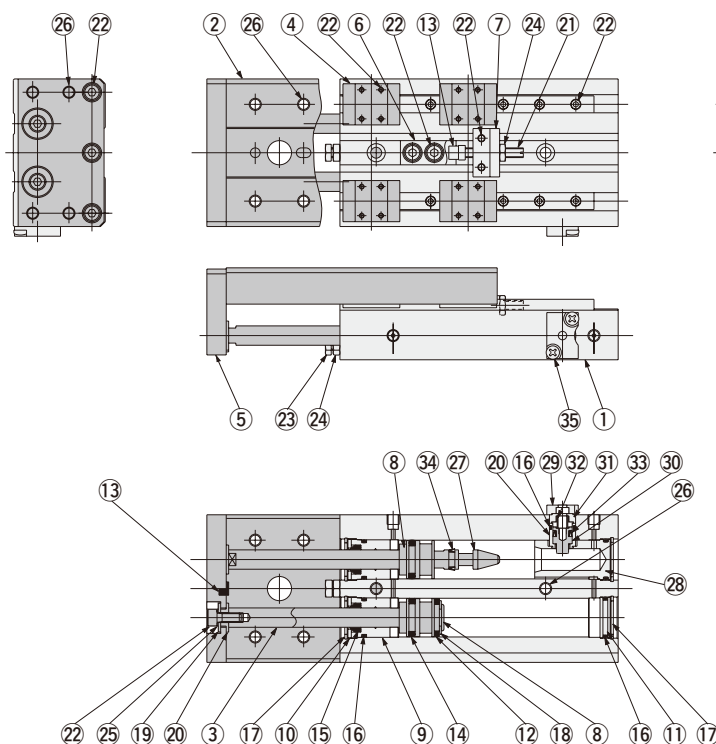
Number of sensor switches

1 : With 1 sensor switch
2 : With 2 sensor switches
3 : With 3 sensor switches
 ⋮

Note2: In the vertical lead wire type, the lead wire protrudes at a right angle to the sensor switch.

● For details of sensor switches, see p.1544.

Inner Construction



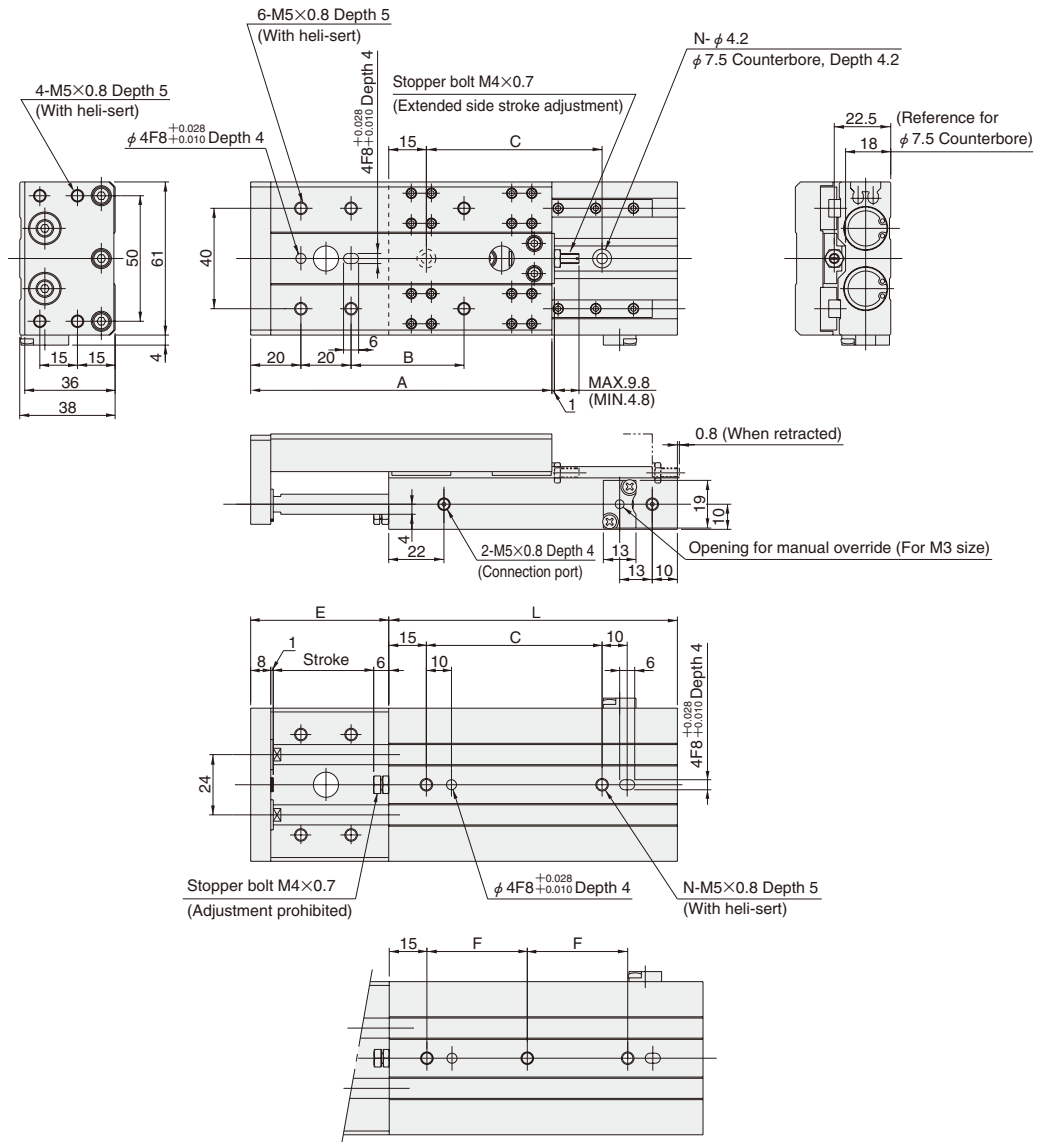
Major Parts and Materials

No.	Parts	Materials	Remarks
①	Main body	Aluminum alloy (anodized)	
②	Table	Aluminum alloy (anodized)	
③	Piston rod	Steel (hard chrome plated)	
④	Linear guide	Stainless steel	
⑤	Square plate	Aluminum alloy (anodized)	
⑥	Block	Aluminum alloy (anodized)	
⑦	Bracket	Aluminum alloy (anodized)	
⑧	Piston	Aluminum alloy (chromic acid anodic oxide coating)	
⑨	Housing	Aluminum alloy (anodized)	
⑩	Seal holder	Mild steel (nickel plated)	
⑪	End plate	Plastic	
⑫	Magnet	Sintered alloy magnet	
⑬	Bumper	Synthetic rubber (NBR)	
⑭	Piston seal	Synthetic rubber (NBR)	
⑮	Rod seal	Synthetic rubber (NBR)	
⑯	O-ring	Synthetic rubber (NBR)	
⑰	Snap ring	Steel (nickel plated)	
⑱	E-ring	Stainless steel	

No.	Parts	Materials	Remarks
⑲	Bolt retainer	Mild steel (nickel plated)	
⑳	Sleeve	Mild steel (nickel plated)	
㉑	Stopper bolt	Stainless steel (nickel plated)	For extended side stroke adjustment
㉒	Hexagon socket head bolt	Stainless steel, Steel (nickel plated)	
㉓	Stopper bolt	Stainless steel	
㉔	Nut	Stainless steel	
㉕	Washer	Steel (nickel plated)	
㉖	Heli-sert	Stainless steel	
㉗	Lock sleeve	Steel (heat treatment)	
㉘	Holder	Aluminum alloy (anodized)	
㉙	Cover	Aluminum alloy (anodized)	
㉚	Lock piston	Steel (heat treatment)	
㉛	Spacer	Aluminum alloy (anodized)	
㉜	Spring	Stainless steel	
㉝	Lock piston seal	Synthetic rubber (NBR)	
㉞	Rod seal	Synthetic rubber (NBR)	
㉟	Cross recessed round head screw	Mild steel (zinc plated)	

Dimensions of Rod Slider End Keep Cylinder (mm)

● ARSK16 × Stroke



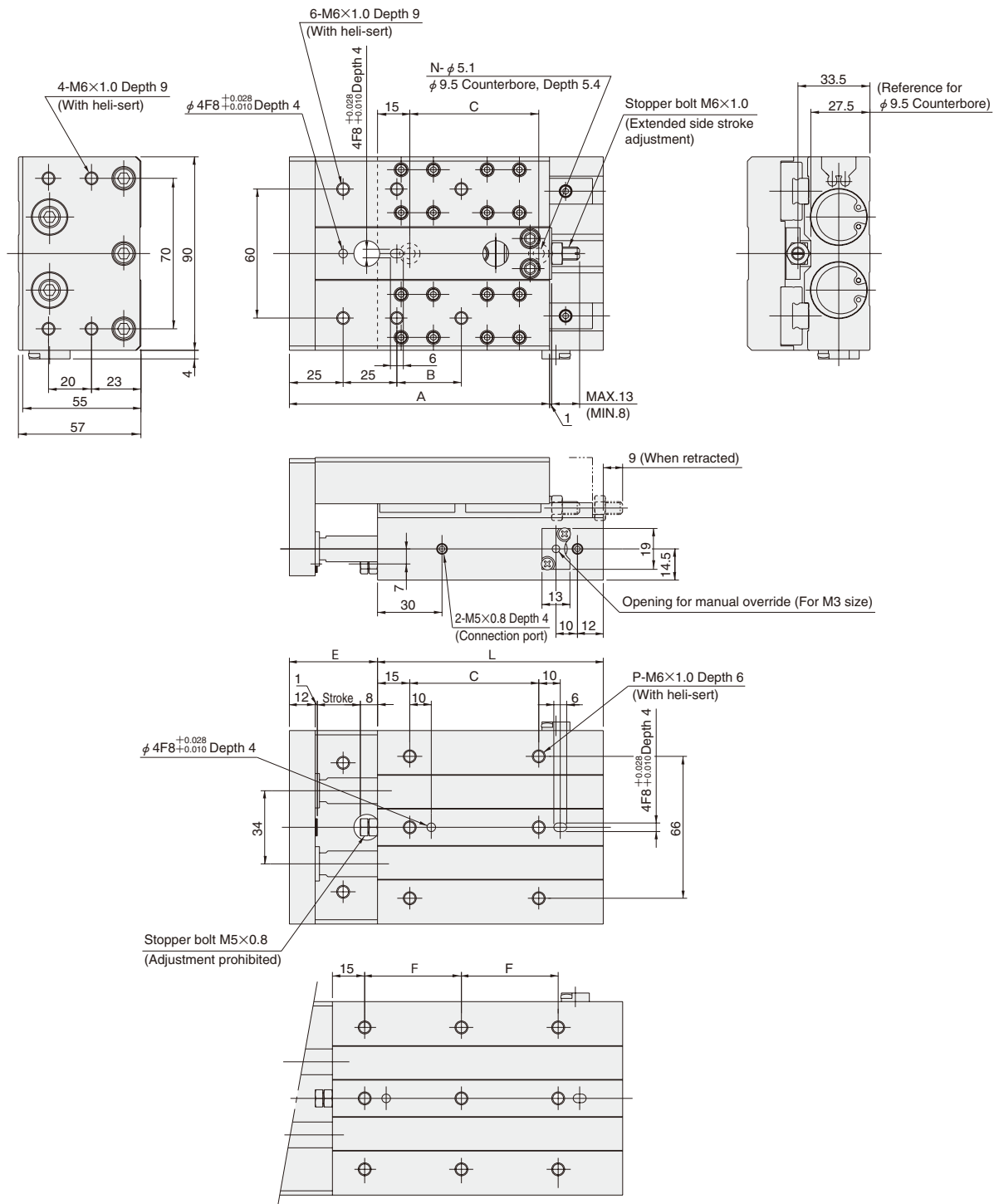
● For 50mm and longer strokes

Notes: 1. This product is the head side end keep cylinder.
 2. In this product, stroke adjustment of $-5 \sim 0$ mm [$-0.197 \sim 0$ in.] can be made on the extended side only. Stroke adjustment cannot be made on the retracted side.

Stroke	Code	A	B	C	E	F	L	N
10	90	15	40	25	—	85	2	
20	100	25	50	35	—	95	2	
30	110	35	60	45	—	105	2	
40	120	45	70	55	—	115	2	
50	130	55	80	65	40	125	3	
60	140	65	90	75	45	135	3	
80	160	85	110	95	55	155	3	

Dimensions of Rod Slider End Keep Cylinder (mm)

● ARSK25 × Stroke



● For 50mm and longer strokes

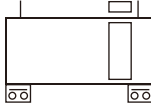
Stroke	Code	A	B	C	E	F	L	N	P
10	111	20	50	31	—	95	2	6	
20	121	30	60	41	—	105	2	6	
30	131	40	70	51	—	115	2	6	
40	141	50	80	61	—	125	2	6	
50	151	60	90	71	—	135	2	6	
60	161	70	100	81	50	145	3	9	
80	181	90	120	101	60	165	3	9	

- Notes 1: This product is the head side end keep cylinder.
 2: In this product, stroke adjustment of -5~0mm [-0.197~0in.] can be made on the extended side only. Stroke adjustment cannot be made on the retracted side.

SENSOR SWITCHES

Solid State Type, Reed Switch Type

Symbol



Order Codes



— ARS

Lead wire length

A : 1000mm [39in.]

B : 3000mm [118in.]

Sensor switch

ZE101 : Reed switch type without indicator lamp

ZE102 : Reed switch type with indicator lamp

ZE201 : Reed switch type without indicator lamp

ZE202 : Reed switch type with indicator lamp

ZE135 : 2-lead wire Solid state type with indicator lamp

ZE155 : 3-lead wire Solid state type with indicator lamp

ZE235 : 2-lead wire Solid state type with indicator lamp

ZE255 : 3-lead wire Solid state type with indicator lamp

Horizontal lead wire

Horizontal lead wire

Vertical lead wire

Vertical lead wire

Horizontal lead wire

Horizontal lead wire

Vertical lead wire

Vertical lead wire

DC5~28V, AC85~115V

DC10~28V, AC85~115V

DC5~28V, AC85~115V

DC10~28V, AC85~115V

DC10~28V

DC4.5~28V

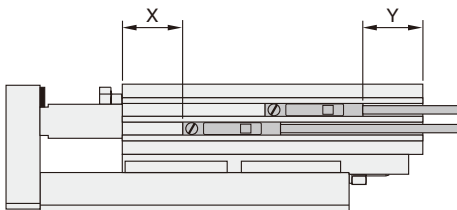
DC10~28V

DC4.5~28V

● For details of sensor switches, see p.1544.

Mounting Location of End of Stroke Detection Sensor Switch

When the sensor switch is mounted in the locations shown below (the figures in the tables are reference values), the magnet comes to the maximum sensing location of the sensor switch at the end of the stroke.



● Solid state type

(ZE135, ZE155, ZE235, ZE255)

mm [in.]

Code	Bore	6	10	16	20	25
		[0.236]	[0.394]	[0.630]	[0.787]	[0.984]
X		24 [0.945]	28.5 [1.122]	34 [1.339]	38 [1.496]	45 [1.772]
Y		29 [1.142]	24.5 [0.965]	26 [1.024]	27 [1.063]	25 [0.984]

● Reed switch type

(ZE101, ZE102, ZE201, ZE202)

mm [in.]

Code	Bore	6	10	16	20	25
		[0.236]	[0.394]	[0.630]	[0.787]	[0.984]
X		20 [0.787]	24.5 [0.965]	30 [1.181]	34 [1.339]	41 [1.614]
Y		26 [1.024]	21.5 [0.846]	23 [0.906]	24 [0.945]	22 [0.866]

Sensor Switch Operating Range, Response Differential, and Maximum Sensing Location

● Operating range : ℓ

The distance the piston travels in one direction, while the switch is in the ON position.

● Response differential : C

The distance between the point where the piston turns the switch ON and the point where the switch is turned OFF as the piston travels in the opposite direction.

● Solid state type

Item \ Bore	6 [0.236]	10 [0.394]	16 [0.630]	20 [0.787]	25 [0.984]
Operating range: ℓ	2.5~3.5 [0.098~0.138]	2.5~4.0 [0.098~0.157]	2.0~4.5 [0.079~0.177]	2.5~5.5 [0.098~0.217]	
Response differential: C	1.0 [0.039] or less		1.2 [0.047] or less		1.5 [0.059] or less
Maximum sensing location ^{Note}	6 [0.236]				

Remark: The above table shows reference values.

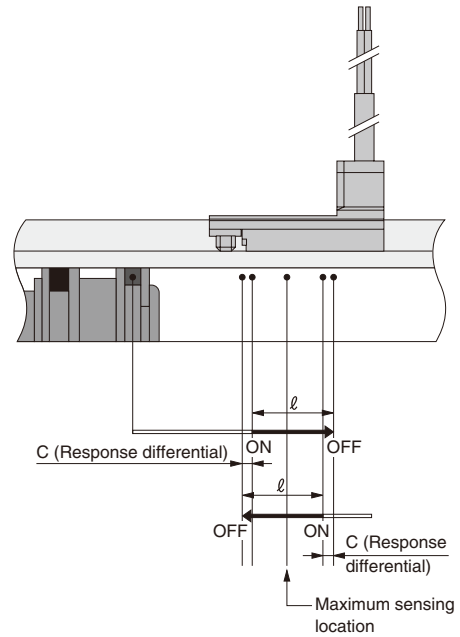
Note: This is the length measured from the switch's opposite end side to the lead wire.

● Reed switch type

Item \ Bore	6 [0.236]	10 [0.394]	16 [0.630]	20 [0.787]	25 [0.984]
Operating range: ℓ	4.5~7.5 [0.177~0.295]	6.5~8.5 [0.256~0.335]	6.0~8.0 [0.236~0.315]	7.0~9.5 [0.276~0.374]	
Response differential: C	1.5 [0.059] or less				
Maximum sensing location ^{Note}	10 [0.394]				

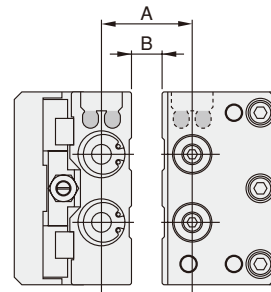
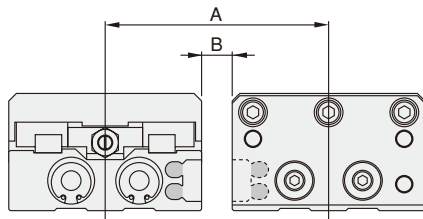
Remark: The above table shows reference values.

Note: This is the length measured from the switch's opposite end side to the lead wire.



When Mounting Rod Sliders with Sensor Switches in Close Proximity

When mounting Rod Sliders with sensor switches in close proximity, install the Rod Sliders so that their mounting dimensions should not be below the values shown in the following tables.



Code	Type	Bore	6 [0.236]	10 [0.394]	16 [0.630]	20 [0.787]	25 [0.984]
A	Solid state type		44 [1.73]	53 [2.09]	66 [2.60]	73 [2.87]	90 [3.54]
	Reed switch type		44 [1.73]	51 [2.01]	61 [2.40]	72 [2.83]	90 [3.54]
B	Solid state type		8 [0.31]	2 [0.08]	5 [0.20]	1 [0.04]	0
	Reed switch type		8 [0.31]	0	0	0	0

Code	Type	Bore	6 [0.236]	10 [0.394]	16 [0.630]	20 [0.787]	25 [0.984]
A	Solid state type		20 [0.79]	24 [0.94]	27 [1.06]	28 [1.10]	33 [1.30]
	Reed switch type		20 [0.79]	20 [0.79]	24 [0.94]	28 [1.10]	33 [1.30]
B	Solid state type		8 [0.31]	8 [0.31]	7 [0.28]	4 [0.16]	4 [0.16]
	Reed switch type		8 [0.31]	4 [0.16]	4 [0.16]	4 [0.16]	4 [0.16]

Remark: For mounting configurations not shown the above, consult us.

Rod Slider ARS Special Specifications (Excluding ARSZ and ARSK)

For the rod slider **ARS** (standard cylinder), we have prepared the following specifications for certain specials that have proven to be particularly popular.

To order, enter codes in parentheses () at the end of the order code.

As we expand our special product range, we hope you will continue to incorporate new models into your work.

For detailed specifications, dimensions, and delivery schedules, consult us.

1. Head side piping specification (-1W)

Available in bore sizes: ϕ 6, 10, 16, 20, 25 [0.236, 0.394, 0.630, 0.787, 0.984in.]

The connection port location is changed from the cylinder side to the head side.

※ Other specifications are the same as the standard item.

2. Reversed piping direction specification (-2W)

Available in bore sizes: ϕ 6, 10, 16, 20, 25 [0.236, 0.394, 0.630, 0.787, 0.984in.]

Since **ARS** is restricted in its piping direction, use this specification for placing piping in the reversed direction.

※ Other specifications are the same as the standard item.

3. Long stroke specification (-5W, -6W)

Available in bore sizes: ϕ 6, 10, 16, 20, 25 [0.236, 0.394, 0.630, 0.787, 0.984in.]

Corresponds to the maximum available stroke.

For reference, see the table below.

※ Other specifications are the same as the standard item.

Model	Corresponding available strokes
ARS 6 × st - 5W	60, 70
ARS10 × st - 5W	70, 80, 90, 100
ARS16 × st - 5W	70, 90, 100
ARS20 × st - 5W	70, 90, 100
ARS25 × st - 5W	70, 90, 100
ARS16 × st - 6W	110, 120
ARS20 × st - 6W	110, 120, 130, 140, 150
ARS25 × st - 6W	110, 120, 130, 140, 150

mm

4. Simplified clean room specification (-8W)

Available in bore sizes: ϕ 6, 10, 16, 20, 25 [0.236, 0.394, 0.630, 0.787, 0.984in.]

The grease used on the cylinder and linear guide portion is a low-volatility grease. Moreover, a dust collection port is installed on the rod side of the body. In addition, the linear guide is stainless steel, while the screws are stainless steel or nickel plated, and the items are assembled and double-packaged inside the clean room.

※ Other specifications are the same as the standard item.

Order code example: For the head side piping specification

● **ARS10 × 30 - 1W**

Notes: 1. These special specifications may vary from standard items in delivery schedules, prices, dimensions, life cycle, etc. Confirm us the details before ordering.
2. For the **ARSZ** (cylinder with shock absorber) and **ARSK** (end keep cylinder) special specifications, consult us.

