

# PM605AS AC Motor Driven Roller

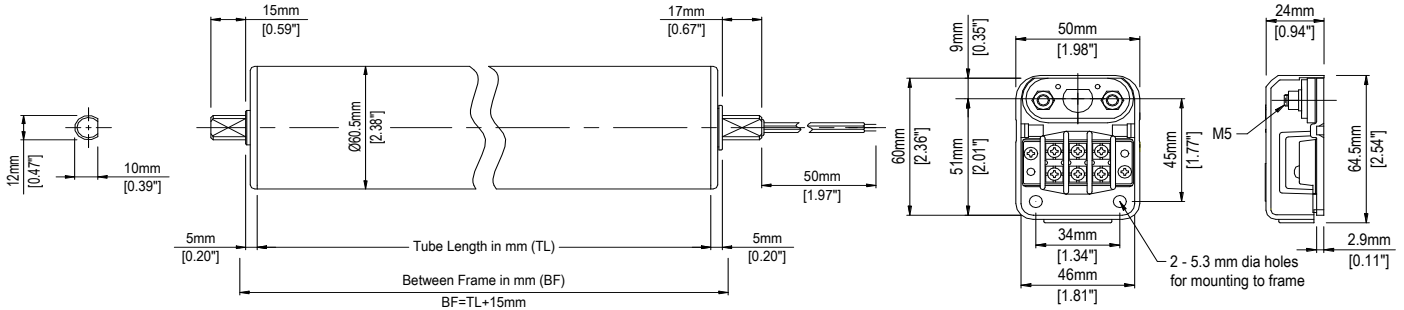


Diameter: 2.38" (60.5mm)  
 Voltage: 115 V Single Phase  
 230 V Three Phase

## Features

- Thermally stable motor that can be operated 24/7 without fear of overheating
- ABEC 1 Bearings
- DOM, zinc plated, carbon steel tube
- Designed for medium to heavy load conveyors
- 12mm (0.47") Dia. D-Shafts

## Dimensions



## Performance Data

Mounting Hardware: A-200 Terminal Block

3Φ 230V 60Hz			
Speed Code	No-Load Speed (ft/min)	Tangential Force Starting (lb)	Torque Starting (lb-in)
4	15.7	26.2	31.2
5	21.7	19.2	22.8
8	31.5	13.2	15.7
9	39.7	10.5	12.5
10	43.3	9.6	11.4
13	54.8	7.6	9.0
15	66.6	7.2	8.6
20	95.1	5.1	6.0
30	138.5	3.5	4.2
45	181.4	2.7	3.2
50	199.5	2.4	2.8
60	262.5	1.9	2.2
Current (A)			
3Φ	Current (A)		
230V	No-Load	Rated	Starting
60Hz	0.06	0.06	0.13

1Φ 115V 60Hz			
Speed Code	No-Load Speed (ft/min)	Tangential Force Starting (lb)	Torque Starting (lb-in)
4	15.7	10.8	12.8
5	21.7	7.9	9.4
8	31.5	5.4	6.5
9	39.7	4.3	5.1
10	43.3	3.9	4.7
13	54.8	3.6	4.2
15	66.6	3.1	3.7
20	95.1	2.2	2.7
30	138.5	1.6	1.9
45	181.4	1.2	1.4
50	199.5	1.0	1.2
60	262.5	0.8	1.0
Current (A)			
1Φ	Current (A)		
115V	No-Load	Rated	Starting
60Hz	0.17	0.19	0.28

## Environment

- Ambient Temperature 14~104° F (-10~40°C)
- < 90% Relative Humidity (No Condensation)
- No Corrosive Gases
- Vibration < 0.5G

## Operation

- Cycle: 3s ON; 2s OFF
- Continuous or Intermittent duty
- Do Not Exceed 150% of No-Load Speed

## Minimum Tube Lengths and Options

- Without spring loaded shaft
- With spring loaded shaft
- Standard
  - 200 mm (7.87")
  - 250 mm (9.84")
- Lagging
  - Wide range of rubber laggings available
- PC Crowned tube
  - 250 mm (9.84")
- VP V-Belt pulley end cap
  - 250 mm (9.84")

- P2 Double grooved tube (65/30)
  - 320 mm (12.60")
- EC Free clutch
  - 280 mm (11.02")
  - 330 mm (13.00")
- BR Brake
  - 250 mm (9.84")
  - 300 mm (11.81")
- DR Drip proof IP-55
  - 200 mm (7.87")
  - 260 mm (10.24")
- WA Waterproof IP-65
  - \*WT Spring loaded shaft option
  - 260 mm (10.24")
  - 290 mm (11.24")

\*Waterproof option does not include spring loaded shaft, add WT to model number for tube lengths 290 mm and over to receive spring loaded shaft  
 Check with your Itoh Denki representative for WA speeds available