

PM605AU AC Motor Driven Roller

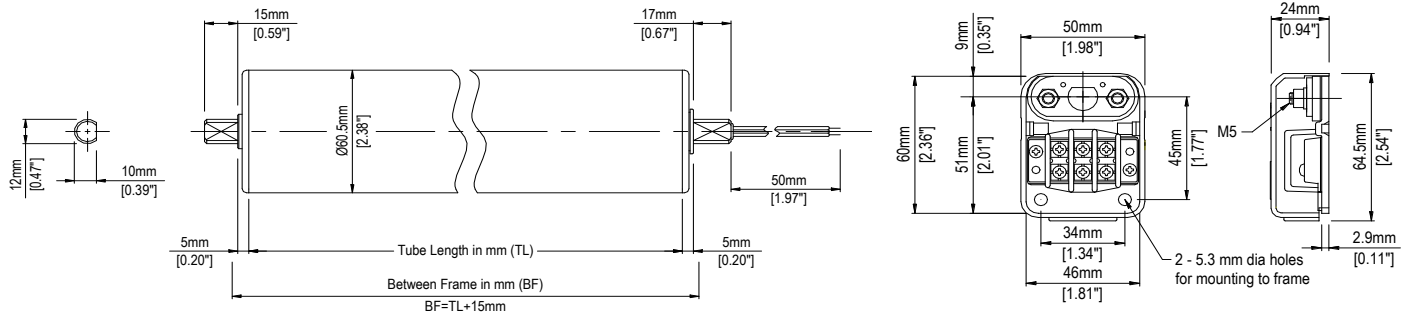


Diameter: 2.38" (60.5mm)
Voltage: 230 V Three Phase

Features

- Thermally stable motor that can be operated 24/7 without fear of overheating
- ABEC 1 Bearings
- DOM, zinc plated, carbon steel tube
- Special high impedance motor allows loads to be accumulated limitlessly without overheating
- 12mm (0.47") Dia. D-Shafts

Dimensions



Performance Data

3Φ 230V 60Hz						
Speed Code	No-Load Speed (ft/min)	Tangential Force Starting (lb)	Torque Starting (lb-in)	Current (A)		
				No-Load	Rated	Starting
4	14.1	9.4	11.2	0.05	0.05	0.06
5	19.4	6.8	8.1			
8	28.5	4.7	5.6			
9	35.8	3.7	4.4			
10	39.0	3.4	4.1			
13	49.2	3.1	3.7			
15	59.7	2.7	3.3			
20	85.6	1.9	2.3			
30	126.7	1.3	1.6			

Mounting Hardware: A-200 Terminal Block

Environment

- Ambient Temperature 14~104° F (-10~40°C)
- < 90% Relative Humidity (No Condensation)
- No Corrosive Gases
- Vibration < 0.5G

Operation

- Limitless
- Continuous or Intermittent duty
- Do Not Exceed 150% of No-Load Speed

Minimum Tube Lengths and Options

- Without spring loaded shaft
- With spring loaded shaft
- Standard
- 200 mm (7.87")
- 250 mm (9.84")
- Lagging
- Wide range of rubber laggings available
- VP V-Belt pulley end cap
- 250 mm (9.84")
- P2 Double Groove Tube (65/30)
- 310 mm (12.20")

- EC Free Clutch
- 280 mm (11.02")
- 330 mm (13.00")
- DR Drip proof IP-55
- 200 mm (7.87")
- 260 mm (10.24")
- WA Waterproof IP-65
- 260 mm (10.24")

Check with your Itoh Denki representative for WA speeds available