

Line Coaxial Lights

LNV series

Refer to our website for product details.

CCS LNV

Search



You can also use your smartphone or cell phone.

Use a search engine.

Provides diffused light from the same axis as the camera



LED color
Custom orders accepted

Size
Custom orders accepted

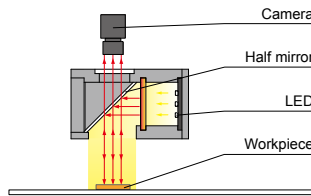
Applications

Inspection for gaps between electronic parts on circuit boards, inspection for faults in lead frames, and inspection for stains attached to sheet metal, etc.

Characteristics

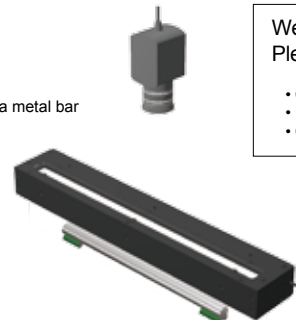
Line coaxial illumination. Allows for imaging with a line sensor camera.

Example configuration (LNV-300)



Applications

Inspection for dents on a metal bar



We accept custom orders. Please feel free to inquire.

- Change to format
- Increase brightness
- Change to wavelength, etc.

Lineup

Model name	LED color	Power consumption	Peak wavelength/correlated color temperature	Options	Recommended Control Units	Weight
LNV-300RD2	Red	24 V / 19 W	630 nm	-	<input type="checkbox"/> PD3 <input type="checkbox"/> CC-ST-1024* <input type="checkbox"/> PSB <input type="checkbox"/> PTU2	550 g
LNV-300SW2	White	24 V / 13 W	5,500 K			
LNV-300BL2	Blue	24 V / 13 W	470 nm			
LNV-300GR2	Green	24 V / 9.9 W	525 nm			

*Can only use green.

LED Properties: Light Spectrum ▶ P.234

Extension Cables ▶ P.222

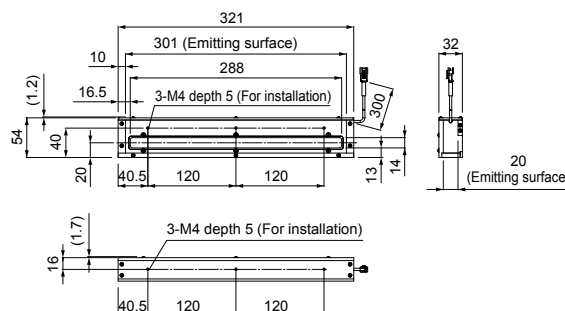
Control Unit Selection Guide ▶ P.181

Control Unit Page ▶ P.185

* Custom products with a PWM frequency of 500 kHz are available for Digital Control Unit PD3 series. Please contact your CCS sales representative for details.

Dimensions (mm)

LNV-300RD2/SW2/BL2/GR2



You can change the connectors of the LightUnit cable. Choose between M12 connectors and flying leads. Refer to P.125 for details.

We have various materials.

- PDF Drawings
- DXF Drawings
- 3D CAD
- Instruction Guides
- Product Files
- Imaging Samples
- Data Sheets
- Examples of Custom Ordered Products

Download here. <http://www.ccs-grp.com/dl/>