

OFL standard Series



OJIDEN is the only full-fledged Foot Switch manufacturer in Japan. Since our business inauguration, which was more than fifty years ago, we put great value on producing things for human life and dignity. We have always strived to further improve product safety and cost effectiveness in line with preserving the global environment. We are very much proud that our products are highly evaluated in their reliability and are used in the variety of industries in the world.

Major Applications

- Industrial machine (each machine tool), The transportation, vehicle (the train, bus), Woodworking device, Equipment device, Measuring device, Public welfare device overall

Part Numbering



① OJIDEN FOOT LIMITSWITCH is shown.

② Property of inclusion switch, pole number and the faculty are shown.

③ Protective cover (option made from stainless steel) CS type is shown.

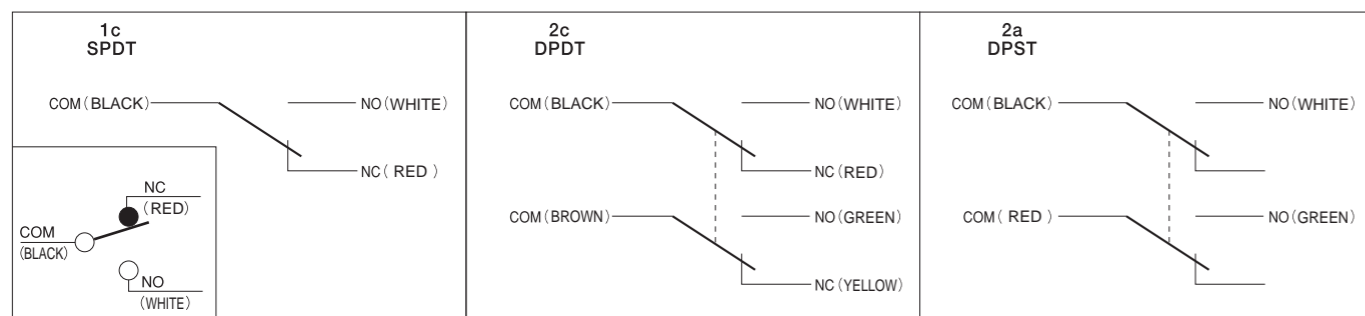
※ ② The characteristic and performance of a built-in switch should consult P.32.

- 1, 2 ---- Z microswitch inclusion is shown.
- TW ---- Z microswitch inclusion, twin style is shown.
- TV ---- V microswitch inclusion, twin style is shown.
- X ---- DC. Z microswitch inclusion is shown.
- BS ---- Lock style Z microswitch inclusion is shown.
- F, 2F ---- Lock style push button switch inclusion is shown.
- R ---- Leadswitch inclusion is shown. (seal structure type)
- 55 ---- Sealing up Z microswitch inclusion is shown.

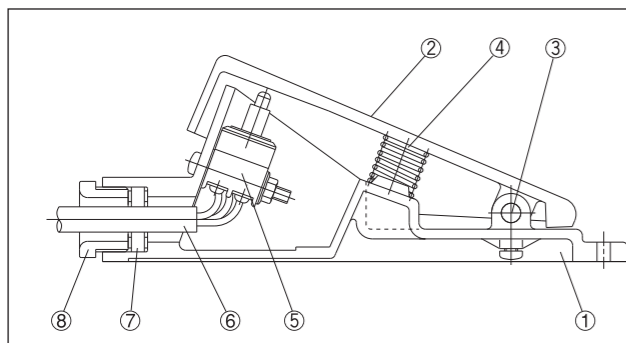
Explanation of operation

- ◆ Momentary / Switch opens and closes in working a pedal. If it releases, it will return to the condition of a source.
- ◆ Alternate / It works a pedal, on and, even if it releases, it holds as it is. When it steps on one more time, it becomes off.

◆ Contact and sender wire classification by color



OFL-1 Inner part structure



ITEM	PART NAME	MATERIAL
①	Body	Aluminum die-cast
②	Pedal	Aluminum die-cast
③	Shaft	Mild steel (plated)
④	Spring	Piano wire (plated)
⑤	Built-in switch	Z microswitch
⑥	Cord	VCTF (1.25 mm2 x 3 strands x 1 m; gray)
⑦	Packing	Chloroprene rubber (black)
⑧	Connector (G1/2 screw)	Polyacetal resin (black)

OFL standard model

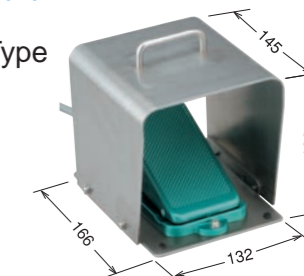
OFL series is made in die-cast aluminum and is standard foot switch most generally used in a wide area.

Features

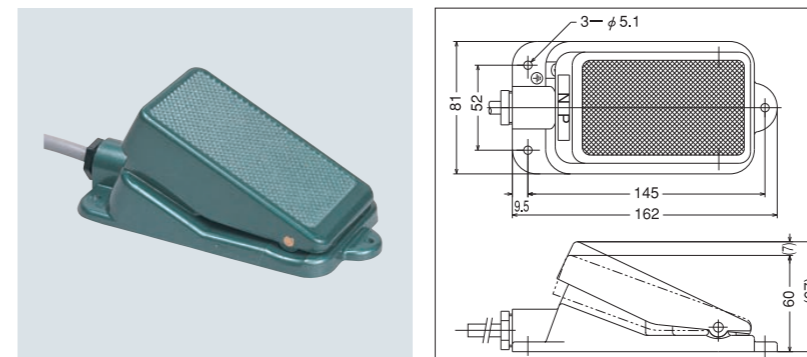
- High credibility proud of an achievement of between 50 several years, interior top.
- Classified by inclusion switch to each model.
- Cord exit seal connector accompaniment Conduit size is G1 /2.

With Protection Cover (Option)

- OFL-□-CS Type

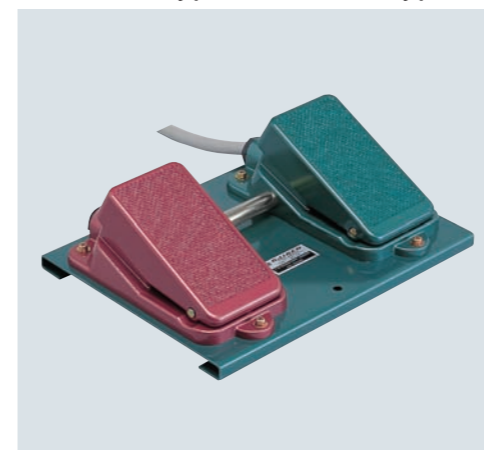


- OFL-□ Type (Backward fulcrum)



Twin Type

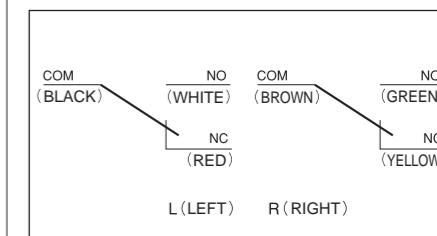
- OFL-TW Type ● OFL-TV Type



Major Applications

- Most appropriate to operation of electromagnet switch and 2 circuits.

◆ Contact and sender wire classification by color
Each side SPDT



OFL standard series

Type	CS	Function		Rating	Switch	Contact	VCTF cord	N	g
		Momentary	Alternate						
OFL-1	○	●	—	6A-250VAC	MICRO Switch	1c	1.25mm ² 3c 1m	27 (2.8kgf)	480
OFL-2	○	●	—			2c	1.25mm ² 6c 1m		580
OFL-TW	—	●	—	6A-250VAC	V	1c for each side	1.25mm ² 6c 1m		1,650
OFL-V	○	●	—			1c	0.75mm ² 3c 1m		450
OFL-TV	—	●	—	10A-125VDC 3A-250	Z	1c for each side	0.75mm ² 6c 1m	1,600	
OFL-X	○	●	—			1c	1.25mm ² 3c 1m	480	
OFL-BS	○	—	●	3A-250VAC	MICRO Switch	1c	0.75mm ² 3c 1m	450	
OFL-F	○	—	●	3A-250VAC		1a	0.75mm ² 2c 1m	450	
OFL-2F	○	—	●		2c	0.75mm ² 6c 1m	520		

Seal structure switch inclusion type

(IP class as indicated or equivalent)

OFL-VG5	○	●	—	0.1A-30VDC Minimum Load 5mA-6VDC·2mA-12VDC·1mA-24VDC	V (IP67)	1c	0.75mm ² 3c 2m	25 (2.6kgf)	510
OFL-R	○	●	—	0.5A-220VAC	Reed Switch R (IP57)	1a	0.75mm ² 2c 2m		500
OFL-55	○	●	—	6A-250VAC	Z (IP54)	1c	1.25mm ² 3c 2.5m		620

※ If marked ○, the type permits the use of the cover. CS: new protection cover (stainless steel, optional; 1,310 g in weight, approx.).