

# M4 Series

M4 pedal-body is made in ABS resin and is mini-type foot switch of high credibility.



### Features

- Smart design harmonizes to all devices.
- It is made in safe and strong ABS resin and it is safe in pressure operation of 1000 N.
- It can make nameplate (12 × 50) display as well of your company for OME.
- 2 color of gray and black is standard.  
(OFL-SA-M4, OFL-SA5-M4, OFL-SA-M45 is only gray.)

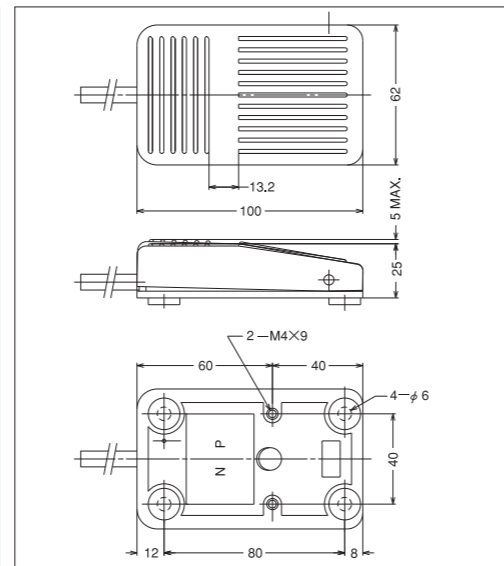
### Resin-made mini type

● OFL-□-M4 Type (Backward fulcrum)

● OFL-V-M4 Type



● OFL-IV-M4 Type



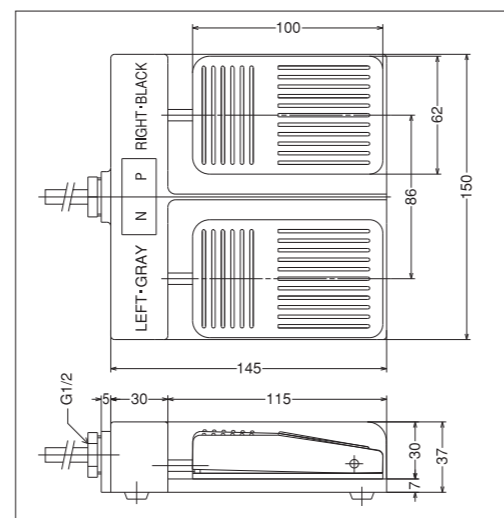
### Twin Type

● OFL-T□-M4 Type (Backward fulcrum)

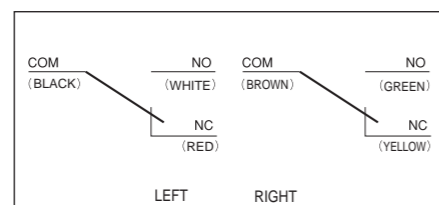


### Major Applications

- Most appropriate to operation of electromagnet switch and 2 circuits.

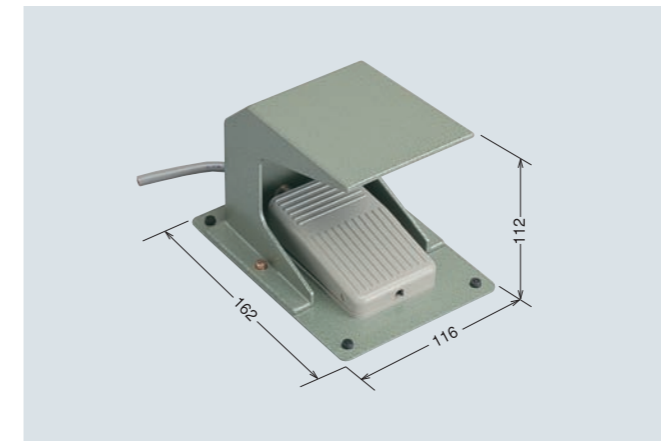


◆ Contact and sender wire classification by color  
Each side SPDT



### Protection cover

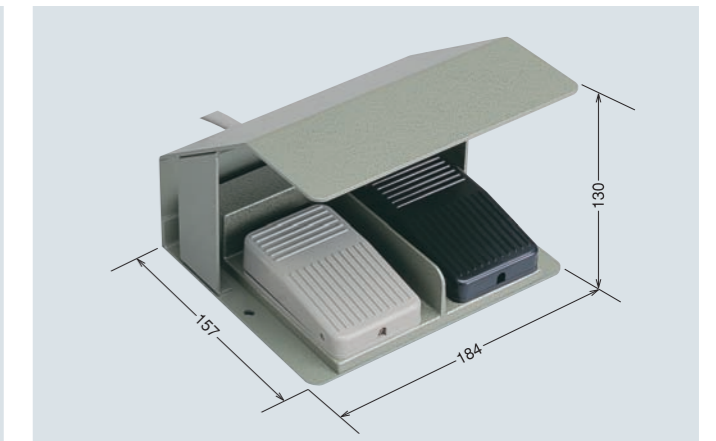
● OFL-□-M4C Type



※ This protection cover may be used in common for the S3, M3, M4, S5, and P types. (See P31.)

### Twin Type Protection cover

● OFL-T□-M4C Type



※ This twin-type protection cover may be used in common for the S3, M3, M4, and FS2 types. (See P31.)

■ M4 series If marked ○, the type permits the use of the cover.

Type	Color	Protection Cover		Function		Rating	Switch	Contact	VCTF cord	Operating force N	Weight g(approx.)
		C	CS	Momentary	Alternate						
OFL- V -M4	Black	○	○	●	—	6A-250VAC	MICRO Switch	1a	VFF 0.75mm <sup>2</sup> 2c 2m	10 (1.0kgf)	150
OFL- 1V -M4	Gray	○	○	●	—			1c	0.75mm <sup>2</sup> 3c 1m		170
OFL- TV -M4	Black·Gray	○	—	●	—	0.1A-30VDC (Minimum Load 2mA-12 1mA-24 VDC)	V (gold clad contact)	1c for each side	0.75mm <sup>2</sup> 6c 1.5m	920	
OFL- VG -M4	Black	○	○	●	—			1c	0.5mm <sup>2</sup> 3c 2m	200	
OFL- TVG -M4	Black·Gray	○	—	●	—	3A-250VAC	S	1c for each side	0.5mm <sup>2</sup> 6c 1.5m	870	
OFL- SA -M4	Gray	○	○	—	●			1c	0.5mm <sup>2</sup> 3c 1.5m	200	

### Seal structure switch inclusion type

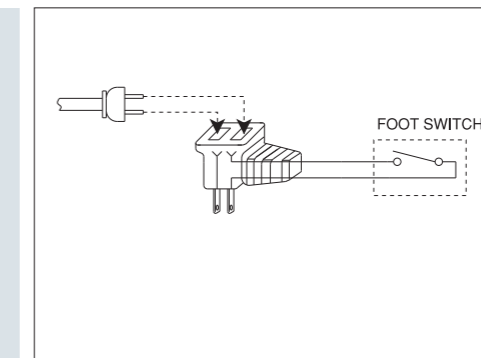
(IP class as indicated or equivalent)

OFL- VG5 -M4	Gray	○	○	●	—	0.1A-30VDC	V (IP67)	1c	0.75mm <sup>2</sup> 3c 25cm	10 (1.0kgf)	100
OFL- SAG5 -M4	Gray	○	○	—	●	0.1A-30VDC	S (IP67)	1c	0.5mm <sup>2</sup> 3c 1.5m	200	

※ The protection cover OFL-C weighs 610 g (approx.) while the new protection cover OFL-CS (stainless steel, optional) weighs 1,310 g (approx.). If to be attached, add its weight to the weight of the switch type being used.

### With middle plug socket

● OFL-□-M45 Type (Backward fulcrum)



### Features

- It is a slot of AC100V·2 P plug and middle switch can be operated.
- ABS resin product and wiring construction work is not needed.
- It is small, solidity and it is economical.
- Size is same M4.

### M45形

Type	Color	Protection Cover		Function		Rating	Switch	Contact	VCTFK cord	Operating force N	Weight g(approx.)
		C	CS	Momentary	Alternate						
OFL-V-M45	Gray	○	○	●	—	6A-125VAC	V	1a	1.25mm <sup>2</sup> 2c 2.5m	10 (1kgf)	280
OFL-SA-M45	Gray	○	○	—	●	5A-125VAC	S	1a			