

S6 & M6 Series

S6 & M6 is made in stainless steel and displays high contact, credibility under bad environmental condition.

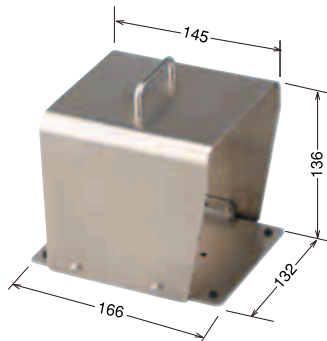
Stainless steel type

● OFL-VG5-S6&M6 Type



With protection cover (Option)

- OFL-□-S6CS Type
- OFL-□-M6CS Type

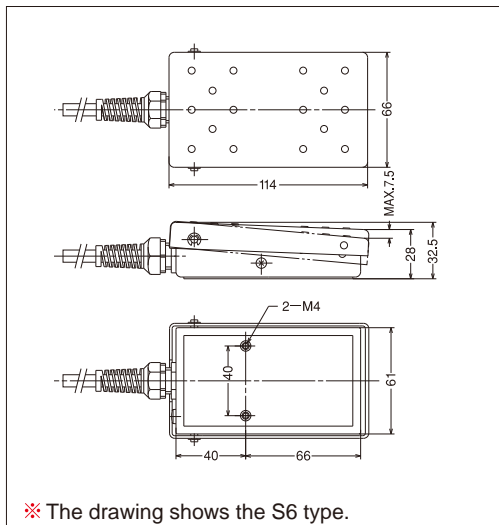


Features

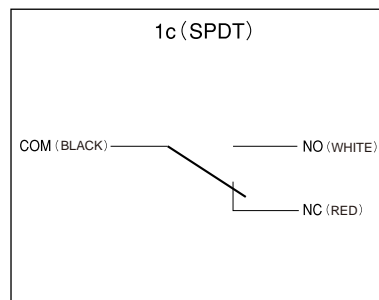
- Foot pedal stainless steel. (Resistance corrosiveness SUS304 use)
- V-type seal switch SPDT contact is included. (Protection structure IP67)
- Protects from corrosiveness gas, dust and the drop of water.
- Pedaling direction
S6 is front fulcrum
M6 is backward fulcrum

Major Applications

- Medical appliances, Food device, Ship, device, Industrial device, Others



Contact structure



Operating ambient temperature	-10·to +60·C
Operating ambient humidity	95% RH or less

Seal structure switch inclusion type

(IP class as indicated or equivalent)

Type	Protection Cover CS	Function	Rating	Switch	Contact	VCTF cord	Operating force N	Weight g _(approx.)
		Momentary						
OFL-VG5-S6	○	●	0.1A-30VDC	MICRO Switch V (IP67)	1c	Water-, heat-, and oil-resistant 0.75mm ² 3c 2m	12 (1.2kgf)	580
OFL-VG5-M6	○	●					10 (1.0kgf)	580

※ If marked ○, the type permits the use of the cover. CS: new protection cover (stainless steel, optional; 1,310 g in weight, approx.).



◆ About resistance chemicals (Inclusion switch)

Especially, please pay attention to solvent such as the freon, and the toluene, since it can not use.

◆ About oiltight, waterproof and resistance corrosion gas

There is not an invasion of powder dust but be effective to corrosion gas. But, please use that seems to dip in during direct oil or underwater avoid, since it is not perfection oiltight.