

# S7 Series

S7 is the flood-tight type foot switch which adopted the high reliability BESTACT enclosure type point of contact, and made it seal structure.

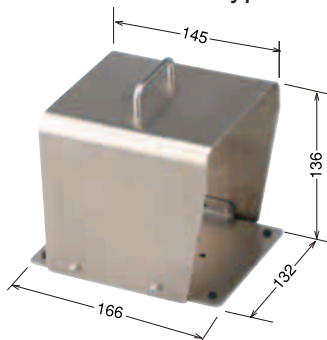
## Waterproof type

- OFL- -S7 Type (Forward fulcrum)



With protection cover (Option)

- OFL- -S7CS Type



### Features

- By adoption of a seal point of contact, it excels in water resistance, gas-proof nature, and environment-proof nature.
- This point of contact can be used for all circuits.
- Also washing whole is possible at a flood-tight type.
- Protective cover (CS) is carried by the product made from stainless steel, and is with convenient a handle. (option)

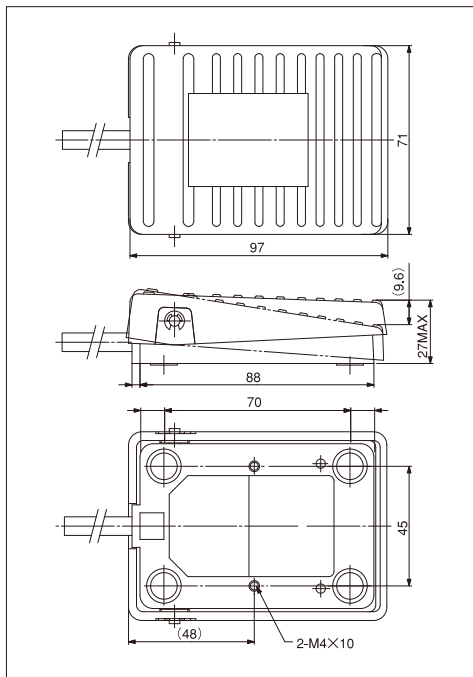
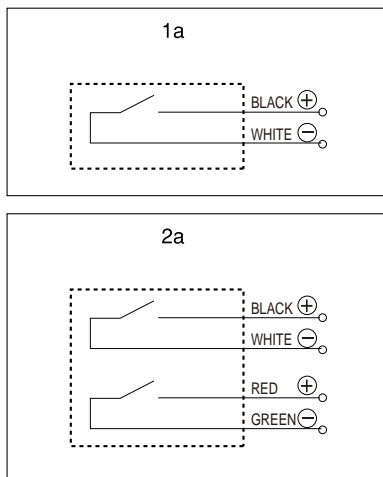
### Major Applications

- Medical appliances, Food device, Ship, device, Industrial device, Others

### Rating, Performance

Rated operating current	0.3A-110VDC(L/R=4ms)
Contact construction	1a or 2a (Reed Contact)
Contact resistance	500mΩ or less (DC6V-1A)
Insulation resistance	100MΩ or more (by 500 VDC insulation tester)
Withstand voltage	Resistance to ground: 1500 VAC (1 min) Resistance between contacts: 500 VAC (1 min)
Operating temperature range	-10°C ~ +60°C
Housing material	ABS resin (black)
Vibration resistance	49 m/S <sup>2</sup> (5 G) or better (10 to 55 Hz)
Impact resistance	980 m/S <sup>2</sup> (100 G) or better
Pedal withstand load	1350 N (1 min)
Electrical life	AC: 500,000 activations or more DC: 300,000 activations or more (at rated operating current)
Protective construction	Flood-tight IP28
Applicable standard	IEC60601-1 compliant

### Contact structure



## S7 Series

Type	Protection Cover CS	Function Momentary	Rating	Switch	Contact	VCTF cord	Operating force N	Weight g(approx.)
OFL-R-S7	○	●	0.3A-110VDC	Bestact (reed switch) R25	1a	0.75mm <sup>2</sup> 2c 3m	13N (1.3kgf)	290
OFL-2R-S7	○	●			2a	0.75mm <sup>2</sup> 4c 3m		380

※ If marked ○, the type permits the use of the cover. CS: new protection cover (stainless steel, optional; 1,310 g in weight, approx.).



- ◆ A nonmagnetic material should be used for a fixing screw, a protective cover, etc. of this product.
- ◆ For glass enclosure point-of-contact built-in, this switch should be handled strongly or don't drop it. When you make it fall, please inspect an operating characteristic etc. and use it after checking that there is no trouble.
- ◆ When you use it by a direct-current, please connect as an attached code and a mark display (+-).