

# SP Series

Compact faculty push button style SP series that responded to electronic digitalization needs of diversification era and thought highly of safety, reliance and economic efficiency on the basis of human respect.



### Features

- Operation acts 360° at every position.
- It is many functional and it is perfect to operation of hand, elbow, knee etc.
- It is solid and a load of economy, action pressure 1,000N and for 1 minute is with stood.
- 5 colors standard.

### Major Applications

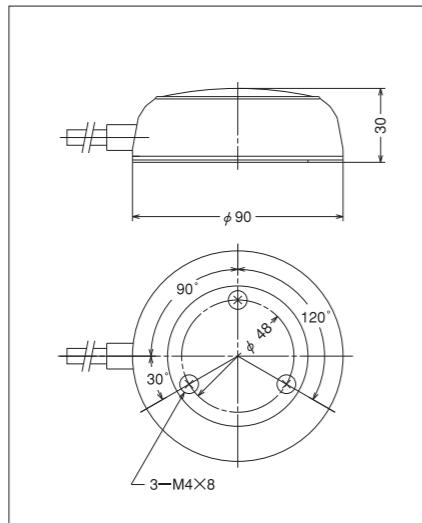
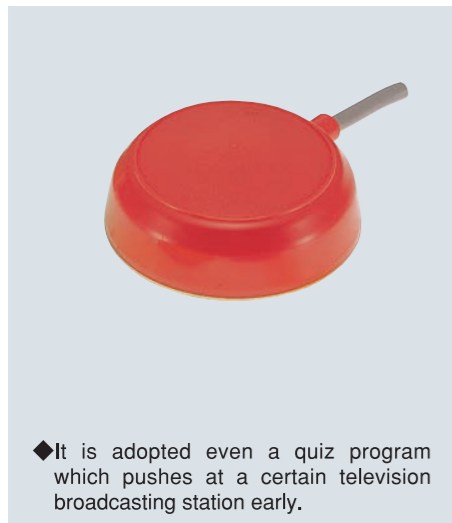
Medical appliances, Measuring device, Industrial electron device, Industry sewing machine, Sound device, Education device, Communications device, Photo device, Public welfare device, Each automation device, Others



B: (Black) G: (Green) R: (Red) BL: (Blue) Y: (Yellow)

## Multi-functional type

- OFL-□-SP□Color Type



**Attention (In the case of use to attach)**  
 ◆ Please use back steel plate attachment screw hole.  
 Please use M4 tapping screw (3 places, depth 8.5 mm).  
 (Tightening torque 78.4N)

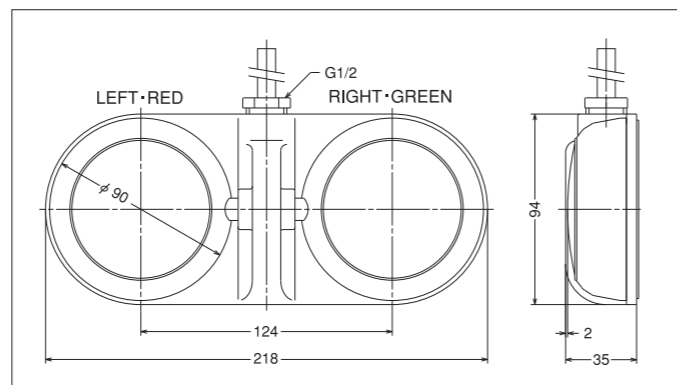
## Twin Type

- OFL-T□-SP Type



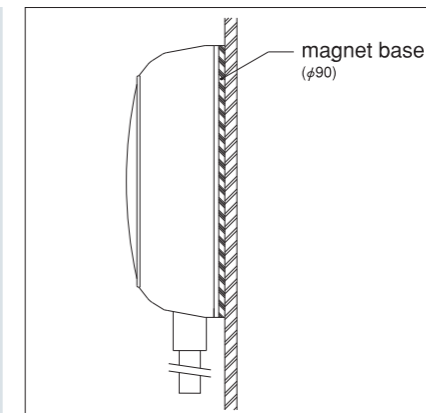
### Major Applications

- Most appropriate to operation of electro magnet switch and 2 circuits.



## With magnet base

- OFL-□-SPM□Color Type



### Features

- Attachment the place of operation that it is free! Flat steel plate, easy set.
- Attachment construction work is not needed.

**Warning:** Please pay attention to periphery device at guide magnet base.

## Drip proof strength model

- OFL-□-SPO□Color Type



### Major Applications

- Most appropriate in dust-proof, drip-proof structure under bad environment.
- 5 colors standard.

**Warning:** Please avoid more action power, since switch return (off condition) happens a few seconds of the delay in stepping on action power (above 500N) to above 20 seconds or continuation sometimes.

## Materials and specifications (SP series)

Cover	Ethylene-vinyl acetate copolymer
Body, button	Polycarbonate resin
Bottom base (SP)	Steel plate w/ rubber base
Bottom base (SPO)	Stainless steel plate w/ rubber base
Bottom powerful magnetic plate (SPM)	Steel plate w/ magnetic base
Bottom powerful magnetic plate (SPOM)	Stainless steel plate w/ magnetic base
Life	100,000 activations or more
Withstand voltage	1500 VAC (1 min)
Insulation resistance	100 MΩ or more (by 500 VDC insulation tester)
Impact resistance	30G
Operating temperature	-5°C~+45°C

## SP series

Type	Function	Rating	Switch	Contact	VCTF cord	Operating force N	Weight g
OFL-V-SP□Color	● Momentary	6A-250VAC	MICRO Switch	1a	0.75mm <sup>2</sup> 2c 1.5m	10 (1.0kgf)	260
OFL-V-SPM□Color	●			1c	0.75mm <sup>2</sup> 3c 1.5m		320
OFL-TV-SP	● Twin Type	0.1A-30VDC (Minimum Load 5mA-6 2mA-12 VDC 1mA-24)	V (gold clad contact)	1c for each side	0.75mm <sup>2</sup> 6c 1.5m		800
OFL-VG-SP□Color	●			1a	0.75mm <sup>2</sup> 2c 1.5m		260
OFL-VG-SPM□Color	●			1c	0.75mm <sup>2</sup> 3c 1.5m		320
OFL-TVG-SP	● Twin Type			1c for each side	0.75mm <sup>2</sup> 6c 1.5m		800

## Splash proof type

(IP Class 44)

OFL-V-SPO□Color	●	6A-250VAC	V	1c	0.75mm <sup>2</sup> 3c 1.5m	22 (2.2kgf)	280
OFL-VG-SPO□Color	●	0.1A-30VDC	V (gold clad contact)				

## Seal structure switch inclusion type

(IP Class 67)

OFL-VG5-SPO□Color	●	0.1A-30VDC	(IP 67) V (gold clad contact)	1c	0.75mm <sup>2</sup> 3c 1.5m	22 (2.2kgf)	280
OFL-VG5-SPOM□Color	●						340