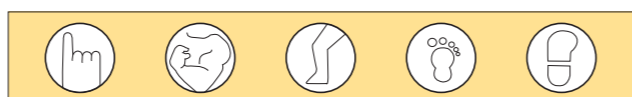


H Series

It is thin long life, it can make 360° in many faculty of software touch and hand, leg and knee etc.



W: (White) Y: (Yellow) R: (Red) G: (Green) B: (Black)



Features

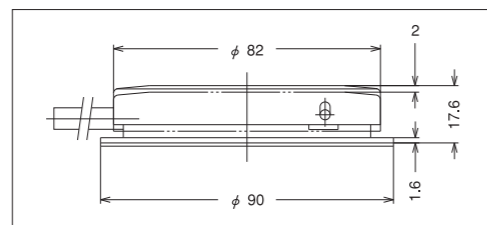
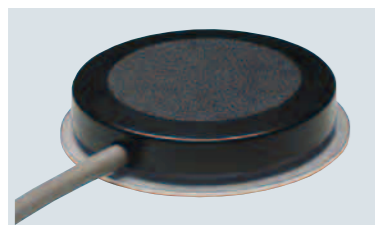
- Operation acts 360° at every position.
- Perfect to operation of hand, elbow, leg, knee.
- ABS resin of resistance impact, resistance insulation is used.
- It is economical in low price.
- 5 colors standard.

Major Applications

Medical appliances, Measuring device, Industrial electron device, Industry sewing machine, Sound device, Education device, Communications device, Photo device, Public welfare device, Each automation device, Others

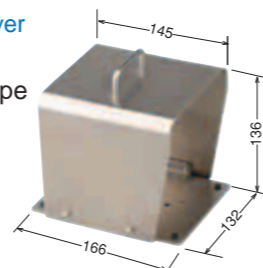
Thin multi-functional type

● OFL-□-H□Color Type



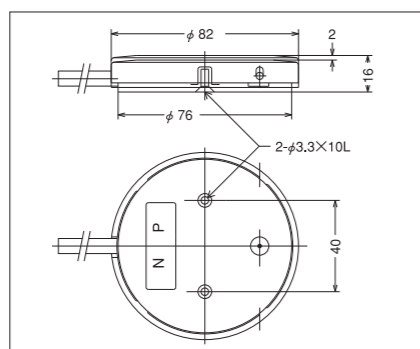
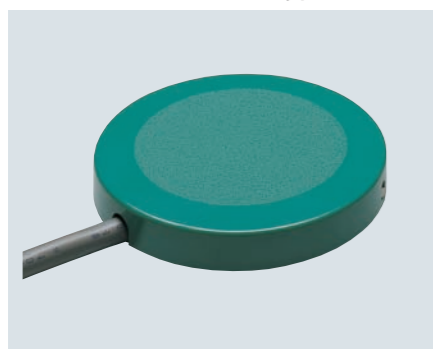
With protection cover (Option)

● OFL-□-HCS Type



Low Price Type

● OFL-□-H2□Color Type



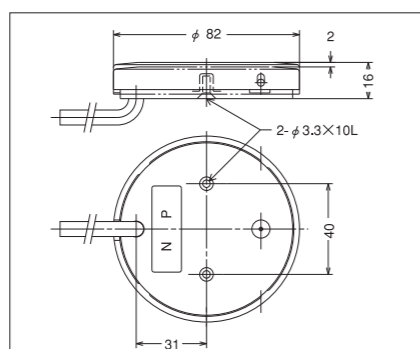
Features

- The switch is of a low-cost, economy type.
- The switch comes with an adhesive accessory rubber base (φ76).

◆ Attachment hole 2 places (depth 10 mm). M4 tapping screw B1 is used. Tightening torque 88.2 N.

Cord is put out from under

● OFL-□-H3□Color Type



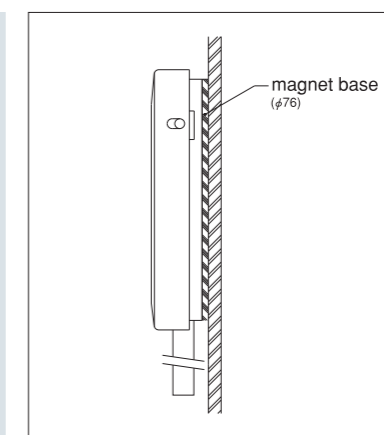
Features

- With the cord led out from under it, the switch is a perfect choice to serve as a push-type multi-function mechanism.

◆ Attachment method is same H2.

With magnet base

● OFL-□-HM□Color Type



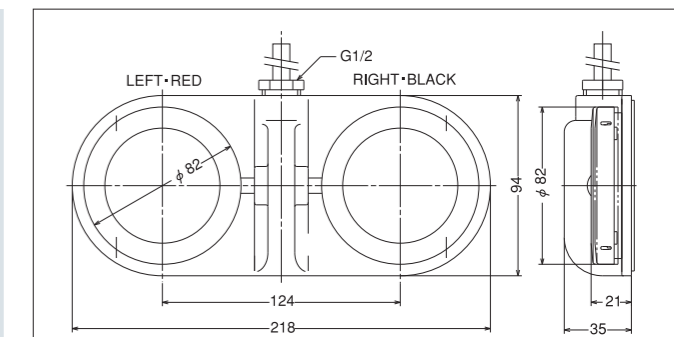
Features

- Attach the place of operation that it is free! Flat steel plate, easy set. (Attachment construction work is not needed.)

⚠ Please pay attention to periphery device because of strong magnetic force.

Twin Type

● OFL-T□-H Type



H series

Type	Protection Cover	Function	Rating	Switch	Contact	VCTF cord	Operating force N	Weight g
	CS	Momentary						
OFL- S -H □Color	—	●	3A-250VAC	MICRO Switch	1a	0.75mm ² 2c 1.5m	7.5 (0.8kgf)	230
OFL- S -H2 □Color	○	●						150
OFL- S -H3 □Color	—	●						180
OFL- S -HM □Color	—	●						650
OFL-TS -H	—	● Twin Type	0.1A-30VDC Minimum Load 1mA-5VDC	S (gold clad contact)	1a	0.75mm ² 2c 1.5m	7.5 (0.8kgf)	230
OFL-SG -H □Color	—	●						150
OFL-SG -H2 □Color	○	●						180
OFL-SG -H3 □Color	—	●						650
OFL-SG -HM □Color	—	●						230
OFL-TSG -H	—	● Twin Type						150

Seal structure switch inclusion type

(IP class as indicated or equivalent)

OFL-SG5-H □Color	—	●	0.1A-30VDC Minimum Load 5mA-6VDC	(IP50) S (gold clad contact)	1a	0.75mm ² 2c 1.5m	7.5 (0.8kgf)	230
OFL-SG5-H2 □Color	○	●						150
OFL-SG5-H3 □Color	—	●						180
OFL-SG5-HM □Color	—	●						150

※ CS: stainless steel cover (1,310 g in weight, approx.). If to be attached, add its weight to the weight of the switch type being used.