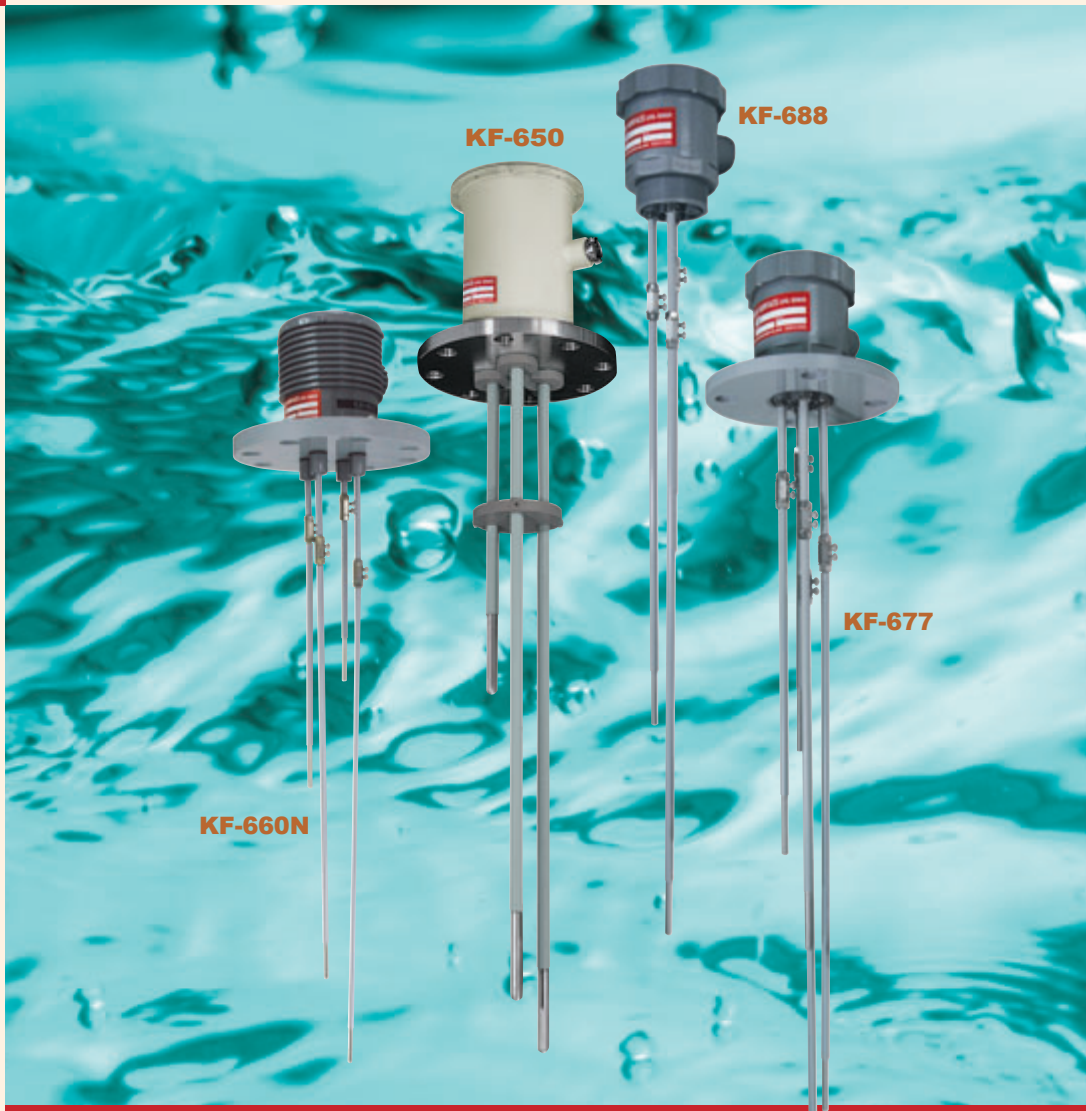


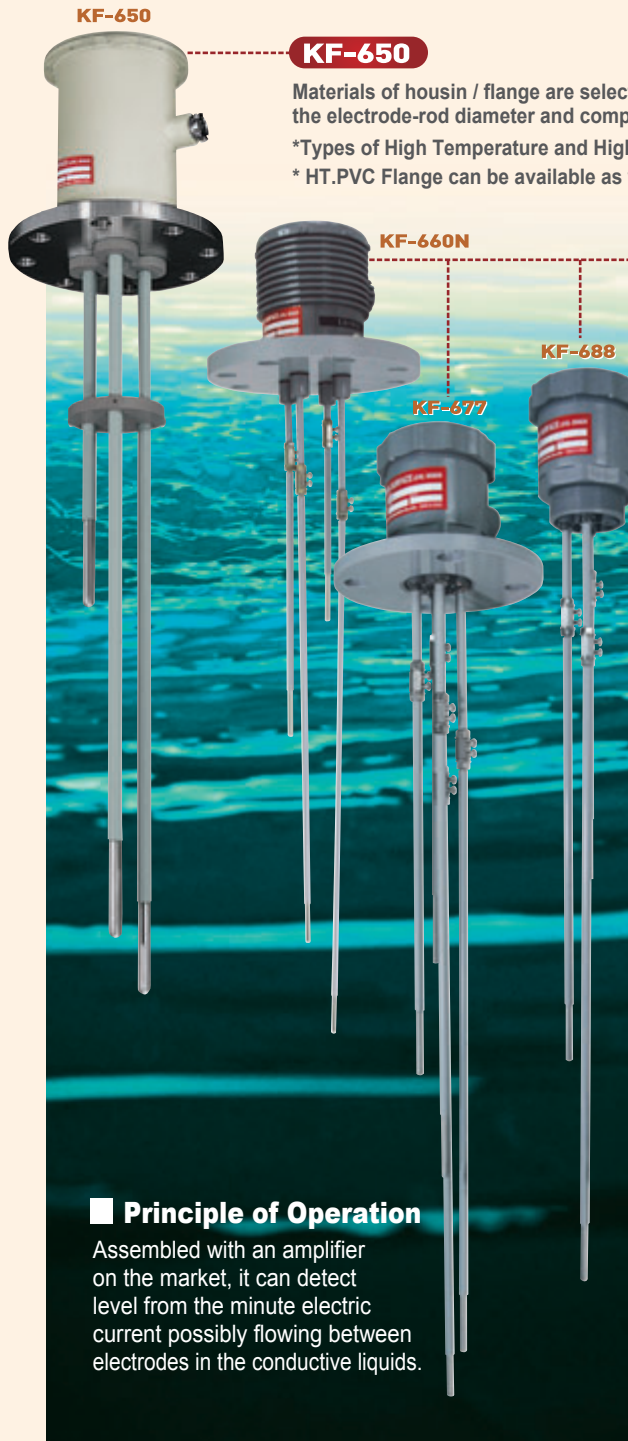
ELECTRODE TYPE LEVEL SWITCH Model **KF-600**



**Best Selling Line In Liquid Level Control - Sales Record
And Reliable Cost Performance**

KF-600 ELECTRODE TYPE LEVEL SWITCH

Liquid Control made of varied electrode materials in a sturdy housing can be applied to a variety of liquids. *Special specifications can be ordered.



Principle of Operation

Assembled with an amplifier on the market, it can detect level from the minute electric current possibly flowing between electrodes in the conductive liquids.

KF-650

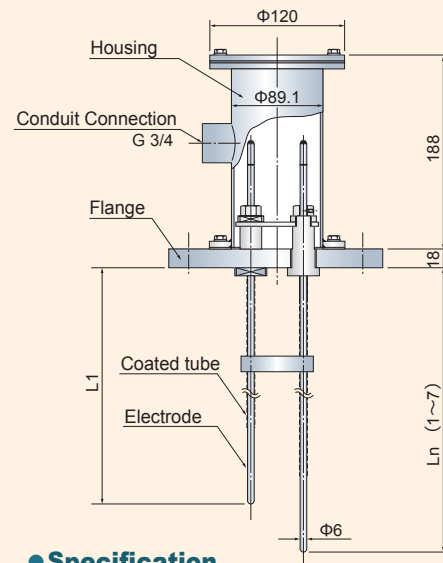
Materials of housin / flange are selectable. As for KF-650 Electrode Type Level Switch, the electrode-rod diameter and components can be selected.

- *Types of High Temperature and High Pressure (KFB640) are also available.
- * HT.PVC Flange can be available as well.

KF-660N • 677 • 688

Only available is a housing type made of PVC. The pole bolt materials of Electrode Level Switch under KF-660N/677/688 can be selected. The choice of the electrode is $\Phi 6$ in diameter only. *ASME & JPI can also be manufactured.

KF-650



Specification

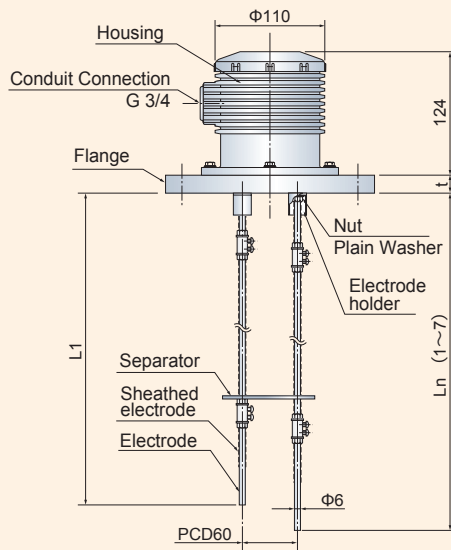
- Diameter of Electrode : $\Phi 6 / 8 / 10 / 15 / 20$ mm
- Quantity of Electrode (n) : 1 - 7
- Separator : Standard, 1 each by every 2000mm
- Flange : over 100A, JIS10K
- Electrode Material : 304SS, 316SS, 316LSS, Titanium, Hastelloy C & B
- Flange Material : PVC, 400SS, 304SS, others
- Housing Material : PVC, SGP, 304SS, others
- Painted color : Housing /munsell 5Y 7/1 (SGP only), Flange / munsell 5Y 7/1 (400SS only)
- Mat. of sheathed Electrode : PVC tube, Teflon tube
- Mat. of stilling well : PVC, SGP, 304SS

*Possibly variable by ± 50 mm * Electrode rod is basically an unspliced bar.
 *Coupling arrangement is possible (in case of longer rod).
 *Withstand pressure type can be available.
 *Option : Housing, Flange / hot-dip galvanizing.

KF-650, Size of Flange / Electrode *Square flange and ASME/JPI flange can be available.

Diameter of Electrode	$\Phi 6 / \Phi 8$	$\Phi 10 / \Phi 12$	$\Phi 15 / \Phi 20$			
Quantity of Electrode	1 - 7	1 - 3	4 - 7	1	2 - 4	5 - 7
Smallest flange = 10K JIS	100A		125A	100A	125A	200A

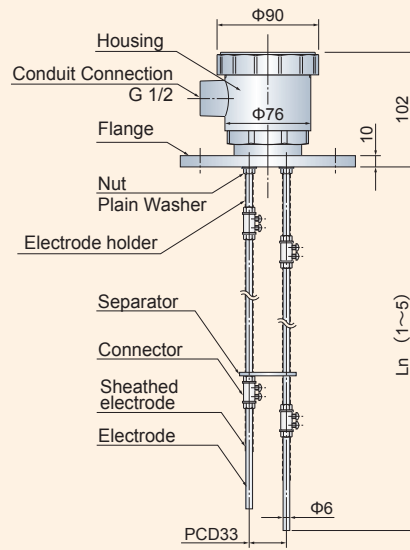
KF-660N



● Specification

- Diameter of Electrode : Φ6mm only
- Length of Electrode : Connected at every 1000mm for extension
- Quantity of Electrode (n) : 1 - 9
- Separator : Standard, 1 each by every 2000mm
- Flange : over 100A, JIS10K
- Flange Material : PVC, HT.PVC
- Housing Material : PVC

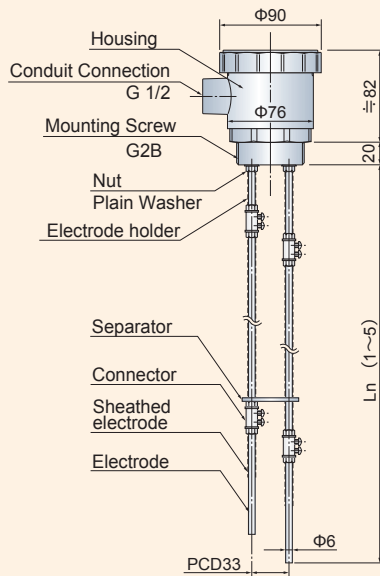
KF-677



● Specification

- Diameter of Electrode : Φ6mm only
- Length of Electrode : Connected at every 1000mm for extension
- Quantity of Electrode (n) : 1 - 5
- Separator : Standard, 1 each by every 1000mm
- Flange : over 50A - 80A, JIS10K
- Flange Material : PVC
- Housing Material : PVC

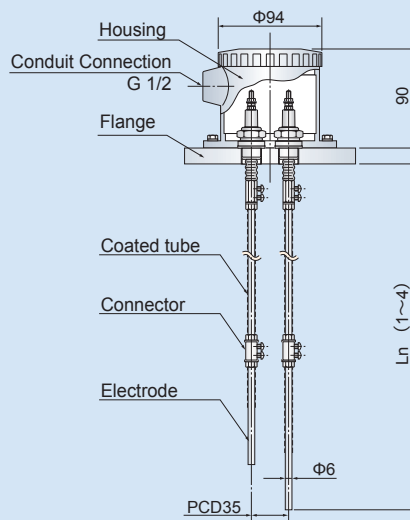
KF-688



● Specification

- Diameter of Electrode : Φ6mm only
- Length of Electrode : Connected at every 1000mm for extension
- Quantity of Electrode (n) : 1 - 5
- Separator : Standard, 1 each by every 1000mm
- Mounting Screw : G2B
- Mounting Screw Material : PVC
- Housing Material : PVC

KFB 640 Special/High Temp. High Pressure, others



● Specification

- Diameter of Electrode : Φ6mm only
 - Length of Electrode : Connected at every 1000mm for extension
 - Quantity of Electrode (n) : 1 - 4
 - Separator : Standard, 1 each by every 1000mm
 - Flange : 50A, JIS10K
 - Electrode Material : 304SS, 316SS, Titanium, Hastelloy C
 - Flange Material : 400SS, 304SS, 316SS
 - Housing Material : AC
- *When the electrode exceeds 5, use the housing for KF-650 or the like.

■ Material Table (KF-660N / -677 / -688) *Electrode consisting of hastelloy C & B is an unspliced bar.

Material of electrode rod	▶ 304SS	316SS	316LSS	Titanium	Hastelloy C	HastelloyB
Mat. of sheathed electrode	▶ PVC	Teflon-tube	others	[]
Material of separator	▶ PVC	Teflon	others	[]
Material of stilling well	▶ PVC	others	[]

Type Designation

KF-6 -

Quantity of Electrode = 1, 2, 3, 4, 5, 6, 7

Specification = 50

Terminal box fixing = Bolt on flange.
Flange dimensionstable = The size is available from the smallest one shown on the table.
Material = Selective
Diameter of Electrode = Φ6/ 8/ 10/ 15/ 20
Quantity of Electrode = up to 7 rods

= 60N

Terminal box fixing = Integrated flange
Flange dimensionstable = Available from the minimum size of 100A, JIS10K.
Material = Only available is the standard housing/flange made of PVC.
 Material of other parts is selective.
 *Option : Ones made of HT & PVC can be available.

Diameter of Electrode = Φ6 only
Quantity of Electrode = up to 9 rods

= 77

Terminal box fixing = Integrated flange
Flange dimensionstable = 50A – 80A, JIS10K
Material = Only available is the standard housing/flange made of PVC
 Material of other parts is selective.

Diameter of Electrode = Φ6 only
Quantity of Electrode = up to 5 rods, 6-rod type is KF-670-6.

= 88

Terminal box fixing = Solid Type, Mounting by screw.
Mounting Dimensions = G2B Screw only
Material = Only available is the standard housing/flange made of PVC
 Material of other parts is selective.

Diameter of Electrode = Φ6 only
Quantity of Electrode = up to 5 rods, 6-rod type is KF-680-6.

Special Specification / High temp, High pressure, others

KFB640 -

Quantity of Electrode = 1, 2, 3, 4

Specification = Terminal box fixing = Bolt on flange

Flange dimensionstable = 50A, JIS10K

Material = Terminal box is made of AC and flange 304SS (standard)

Diameter of Electrode = Φ6 only

Quantity of Electrode = up to 4 rods, 5-rods Consult with Sales staff when you need more than.

Number / Length of Electrode

TAG.No	NBR	n = POLE	Shor test ←————→ Longest						
			L 1	L 2	L 3	L 4	L 5	L 6	L 7

Line of business

- Rotary Paddle Type Level Switch
- Vibration Type Level Switch
- Swing Type Level Switch
- Acoustic Level Switch
- Capacitance Type Level Switch
- Capacitive Proximity Sensor
- Capacitance Type Level Indicator
- Diaphragm Type Level Switch
- Tiit Switch
- Leak Type Level Switch
- Microwave Type Switch
- Sounding Bob Type Level Indicator
- Flow Switch
- Conductance Type Level Switch
- Float Switch
- Float Type Level Indicator
- Ultrasonic Type Level Indicator
- Equipments For Conveyor Lines
- Dust Monitor System
- Zirconia Oxygen Analyzer
- Laser Type Level Indicator
- RADAR Type Level Indicator
- On-line Sensors for Accurate Liquid Analysis
- Ultrasonic Flow meter

*Please be sure to read USER'S GUIDE, Installation & Operation Instructions before using the instrument.

*The specifications herein may be subject to change without advance notice.

Nuclear Power Generation to Rice Milling
 All-round Manufacturer of Level Controllers for Powder, Granules and Liquid

K KANSAI Automation Co., Ltd.

Headquarters :
 2-14, Togano-cho, Kita-ku, Osaka 530-0056, Japan
 TEL. 81-6-6312-2071 FAX. 81-6-6314-0848
 e-mail: info@kansai-automation.co.jp

http://www.kansai-automation.co.jp

Tokyo Branch : 1-29-6, Hamamatsu-cho, Minato-ku, Tokyo 105-0013, Japan
 TEL. 81-3-5777-6931 FAX. 81-3-5777-6933

Nagoya Office : 3-31-27, Uchiyama, Chigusa-ku, Nagoya 464-0075, Japan
 TEL. 81-52-741-2432 FAX. 81-52-741-1588

Kyushu Office : 1-2-39, Asano, Kokura Kita-ku, Kitakyushu 802-0001, Japan
 TEL. 81-93-511-4741 FAX. 81-93-511-4580



Design, development, and manufacture of level measuring sensors

Agent