

RJF·RJFS Series Index Table Rotary Joint

Compact Rotary Joint for Positioner

Key Features

- Low rotational resistance and smooth sliding
- High rigidity and smooth sliding via built-in bearings
- 2 standard models for different flow volumes
- RJF with 6, 12, & 16 air ports are available.
- Low profile type RJFS with 12 & 16 air ports are available.



How To Order

Standard ----- **RJF-4A-M5**
 Option ----- **RJF - 4A - M5 - Z** ----- Special processing on RJF-4A-M5

Model		Number of Ports		Air Port Size		Option	
Symbol	Specification	Symbol	Specification	Symbol	Specification	Symbol	Name
RJF *1		4A	4	M5	M5	Z	Special Type (Custom)
RJFS *2		6A	6	6	Rc ¹ / ₈		
		8A	8				
		12A	12				
		16A	16				

For option detail ▶ 36P

*1 M5 is the air port size for RJF-12A and 16A.

*2 M5 is the air port size for RJFS. The number of air ports are 12 and 16.

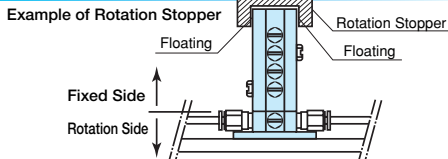
Specification

Model	RJF-4A-M5 For Layout Drawing ▶393P	RJF-4A-6 For Layout Drawing ▶393P	RJF-6A-M5 For Layout Drawing ▶394P	RJF-6A-6 For Layout Drawing ▶394P	RJF-8A-M5 For Layout Drawing ▶395P	RJF-8A-6 For Layout Drawing ▶395P	RJF-12A-M5 For Layout Drawing ▶396P	RJF-16A-M5 For Layout Drawing ▶396P	RJFS-12A-M5 For Layout Drawing ▶397P	RJFS-16A-M5 For Layout Drawing ▶397P	
Ambient Temperature (°C)	5 to 60										
Swivel Angle	Endless										
Allowable Rotation Speed (min ⁻¹)	350	240	240	170	200	140	175	155	100	90	
Rotational Resistance (N·m)	0.05	0.07	0.12	0.17	0.2	0.4	0.85	1.5	0.85	1.3	
Air Port	Number of Ports	4	4	6	6	8	8	12	16	16	
	Operating Pressure Range	-100KPa to 0.7MPa*									
	Air Port Size	M5	Rc1/8	M5	Rc1/8	M5	Rc1/8	M5	M5	M5	M5
Weight (kg)	0.11	0.28	0.16	0.50	0.38	0.90	0.70	1.30	0.93	1.23	

*Vacuum state can not be retained

Mount Method

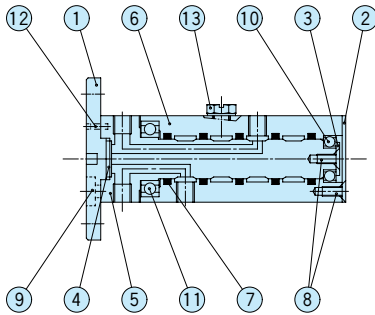
Connection between RJF and Rotation Stopper must be floated. Otherwise, excessive load is applied to the shaft on the rotation side, causing breakage or air leakage.



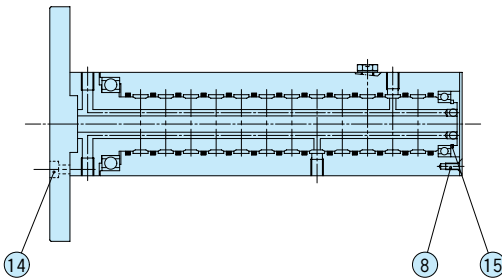
*Rotation stopper is supplied by customer.
 The figure is an example.
 Please design stopper based on your application.

Internal Structure / Parts & Seals

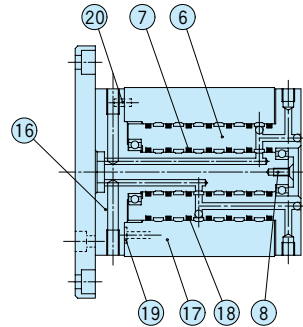
■RJF-4A-M5/4A-6/6A-M5/6A-6/8A-M5/8A-6



■RJF-12A-M5/16A-M5



■RJFS-12A-M5/16A-M5



■Parts List

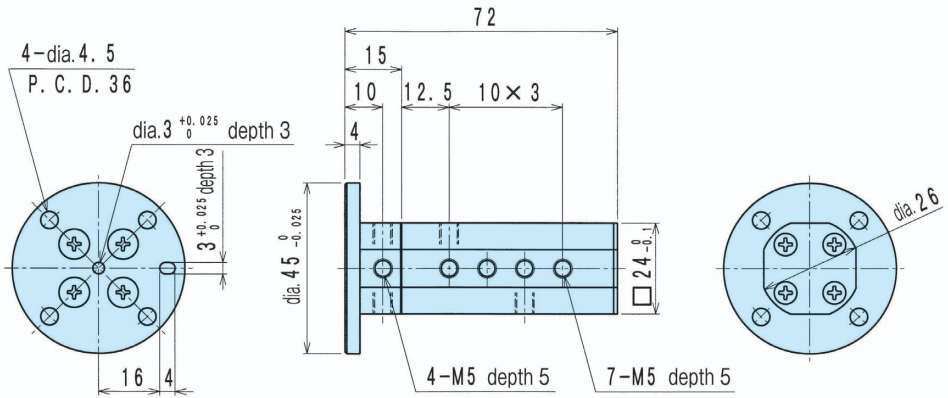
No.	Name	Material	No.	Name	Material	No.	Name	Material
1	Mount Flange	Aluminum Alloy	8	Counterbore Cross-Recessed Head Screw	Stainless Steel	15	C-Type Snap Ring	Stainless Steel
2	Fixed Side Body Lid	Stainless Steel	9	Small Truss Head Screw	Stainless Steel	16	Body on Rotation Side 1	Aluminum Alloy
3	Bearing Holder	Stainless Steel	10	Single Row Deep Groove Ball Bearing	Bearing Steel	17	Body on Rotation Side 2	Aluminum Alloy
4	Gasket	Rubber NBR Black	11	Single Row Deep Groove Ball Bearing	Bearing Steel	18	Gasket	Nitrile Rubber
5	Rotation Side Body	Aluminum Alloy	12	Parallel Pin	Bearing Steel	19	Gasket	Nitrile Rubber
6	Fixed Side Body	Aluminum Alloy	13	Plug	Brass&Stainless Steel	20	Parallel Pin	Bearing Steel
7	Gasket	Nitrile Rubber	14	Hexagon Socket Head Cap Bolt	Stainless Steel			

RJF·RJFS Series Index Table Rotary Joint

Layout Drawing

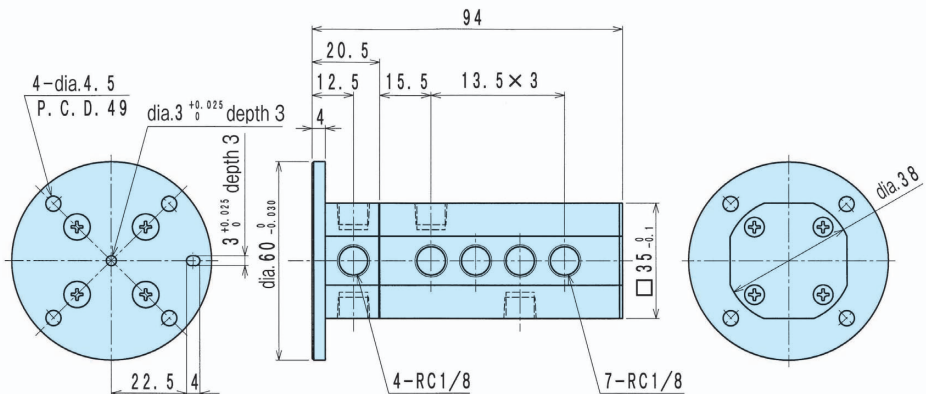
■RJF-4A-M5

RJF-4A-M5 Standard



■RJF-4A-6

RJF-4A-6 Standard

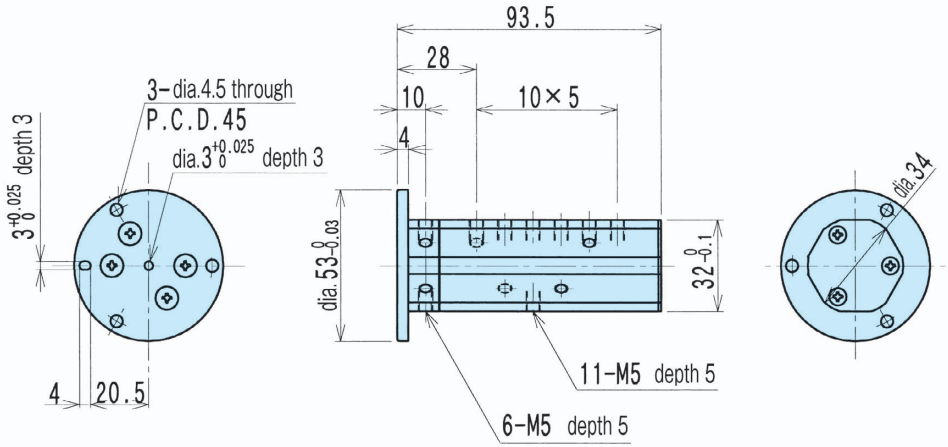


RJF-4A-M5/4A-6/6A-M5/6A-6/8A-M5/8A-6/12A-M5/16A-M5 RJFS-12A-M5/16A-M5

For CAD data, please go to **▶518P**

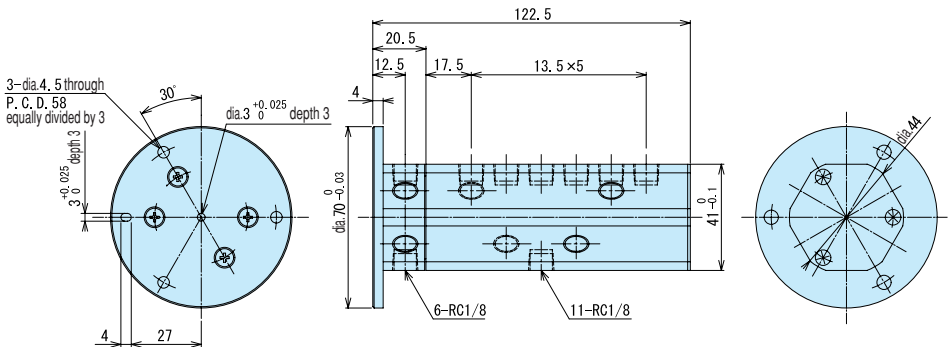
■RJF-6A-M5

RJF-6A-M5 Standard



■RJF-6A-6

RJF-6A-6 Standard

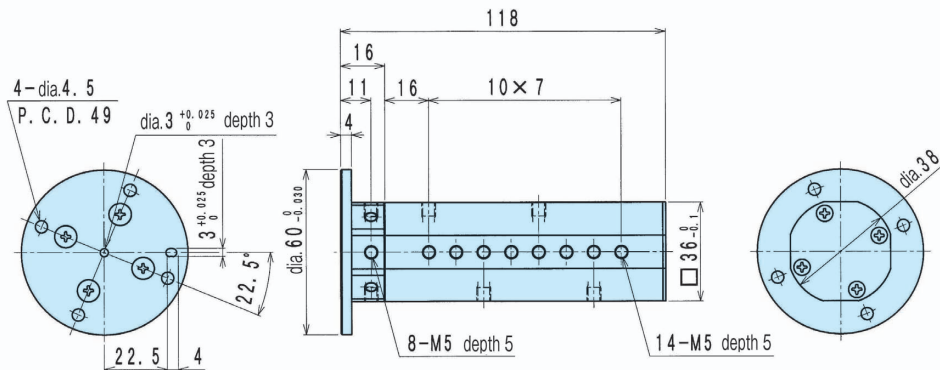


RJF·RJFS Series Index Table Rotary Joint

Layout Drawing

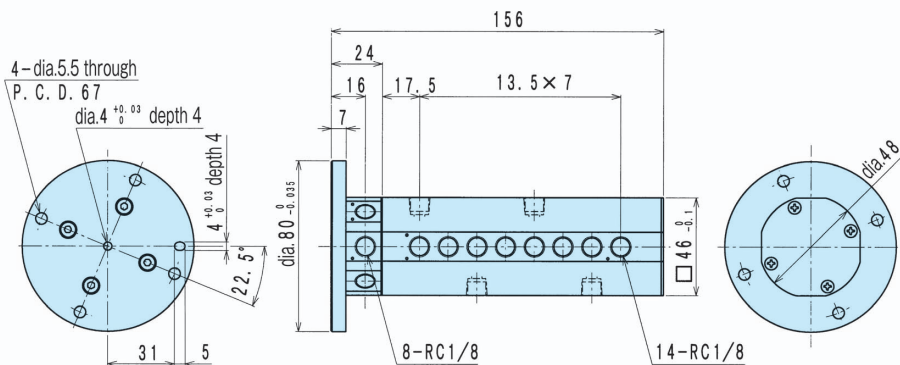
■RJF-8A-M5

RJF-8A-M5 Standard



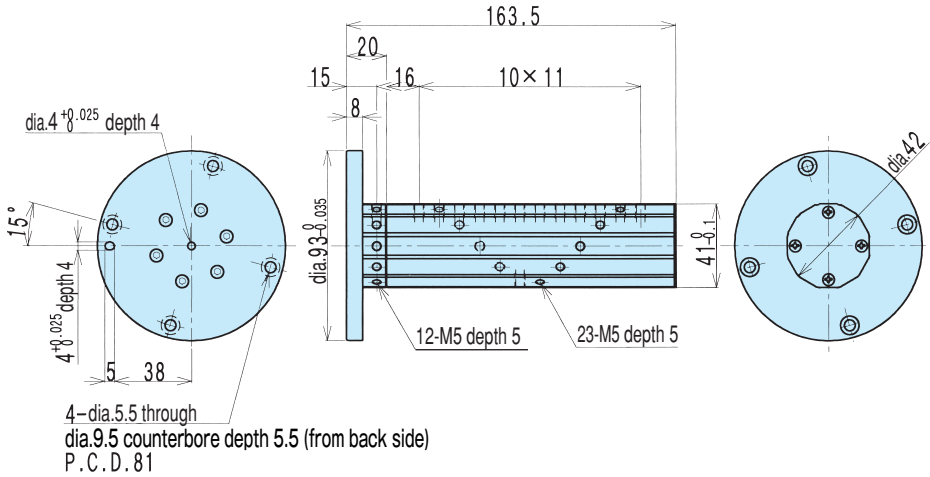
■RJF-8A-6

RJF-8A-6 Standard



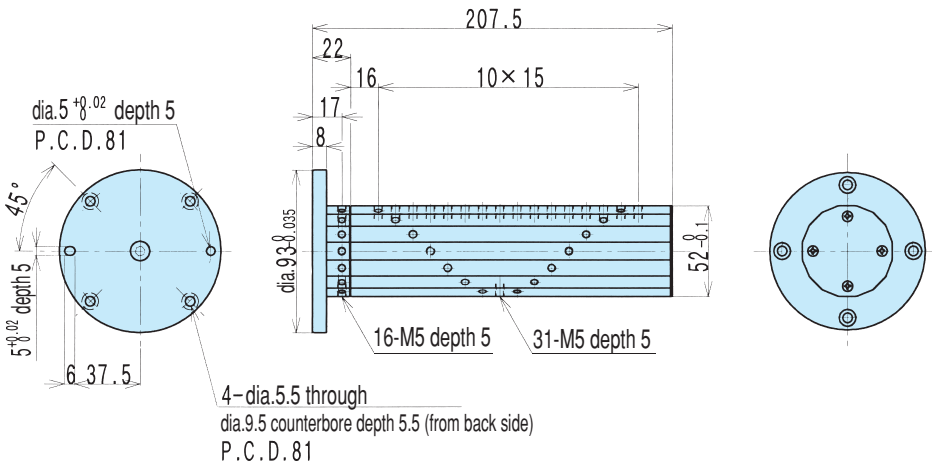
■RJF-12A-M5

RJF-12A-M5 Standard



■RJF-16A-M5

RJF-16A-M5 Standard

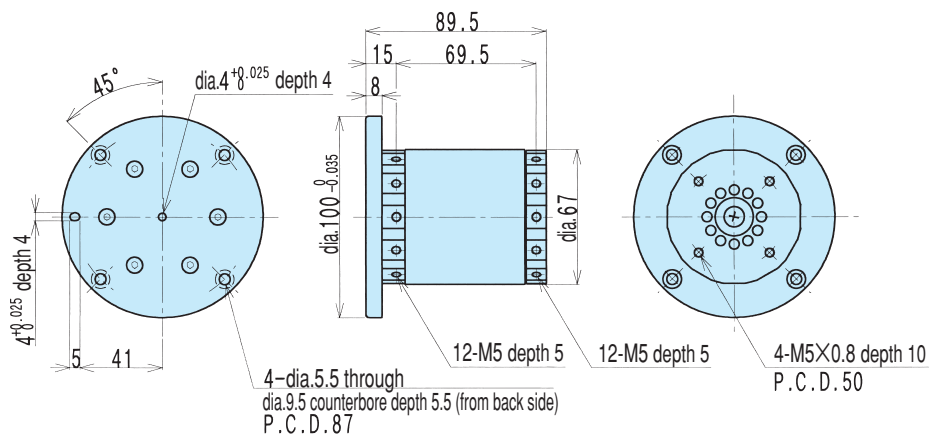


RJF·RJFS Series Index Table Rotary Joint

Layout Drawing

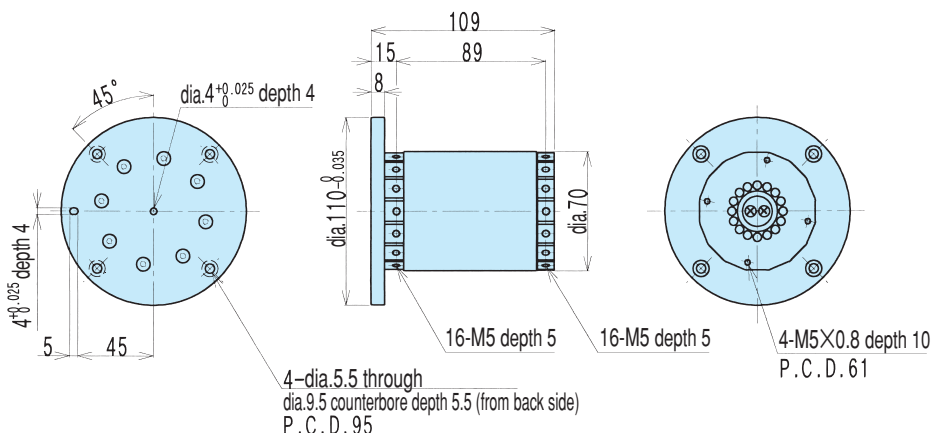
■RJFS-12A-M5

RJFS-12A-M5 Standard



■RJFS-16A-M5

RJFS-16A-M5 Standard



**RJF-4A-M5/4A-6/6A-M5/6A-6/8A-M5/8A-6/12A-M5/16A-M5
RJFS-12A-M5/16A-M5**



For CAD data, please go to **▶518P**