

Oil-Proof Chuck CKGJ Series

3-Jaw Bearing-Integrated Gripper

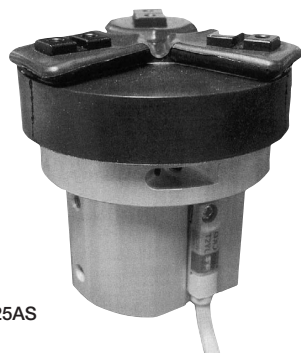
Key Features

- **High accuracy and smooth operation with cross roller guide**

Cross roller bearing retention structure used for sliding material provides high accuracy and smooth motion

- **Protective rubber cover for use in dusty and harsh environments**

Rubber cover prevents substances and particulates such as mists and dusts from penetrating into the interior of the unit



*Oil-Proof Sensors can be mounted

CKGJ-25AS

How To Order

Standard ----- **CKGJ-16AS**

Option ----- **CKGJ-16AS - E40LS2 - Z** ----- CKGJ-16AS with 2 of E40L non-contact reed switches and special processing

Clean Room & Special Type

Size	
Symbol	
16AS	
25AS	
32AS	
40AS	
50AS	

Sensor, Quantity			
Symbol		Name	
E40	Non-Contact 3-Lead	E45	Non-Contact 2-Lead
E40L	Non-Contact 3-Lead	E45L	Non-Contact 2-Lead
E41	Non-Contact 2-Lead	S1	1 Sensor
E41L	Non-Contact 2-Lead	S2	2 Sensors

Option			
Symbol		Name	
Z	Special Type (Custom)		

For sensor detail ▶277P

For option detail ▶36P

Specification

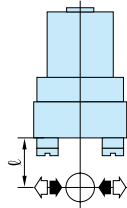
Model	CKGJ-16AS <small>For Layout Drawing ▶365P</small>	CKGJ-25AS <small>For Layout Drawing ▶365P</small>	CKGJ-32AS <small>For Layout Drawing ▶365P</small>	CKGJ-40AS <small>For Layout Drawing ▶366P</small>	CKGJ-50AS <small>For Layout Drawing ▶366P</small>
Working Pressure	Pneumatic: 0.1 to 0.7MPa				
Lubrication	Not Required or Turbine Oil Class 1 (ISOVG32)				
Ambient Temperature (°C)	5 to 60				
Total Jaw Stroke (mm)	6	6	8	11	16
Cylinder Diameter (mm)	dia.16	dia.25	dia.32	dia.40	dia.50
Rod Diameter (mm)	dia.9	dia.10	dia.14	dia.18	dia.20
Internal Volume [Reciprocation] (cm ³ /time)	1.0	2.2	5.1	10.1	36.1
Repeatability (mm)	±0.01				
Weight (kg)	0.25	0.47	0.79	1.35	2.15

Performance Data

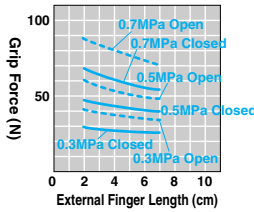
■ Grip Force

The graph shows grip force in opening and closing with effective external finger lengths l from gripper cover surface under different air pressure (MPa)

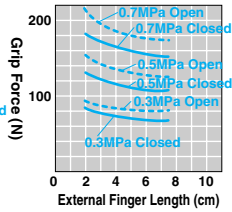
Open (⇐) ————
 Closed (⇒) —————



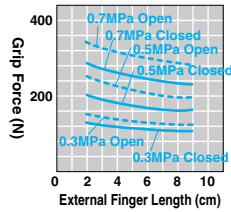
■ CKGJ-16AS



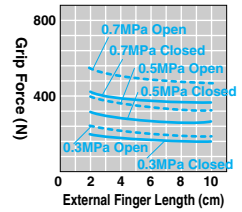
■ CKGJ-25AS



■ CKGJ-32AS



■ CKGJ-40AS

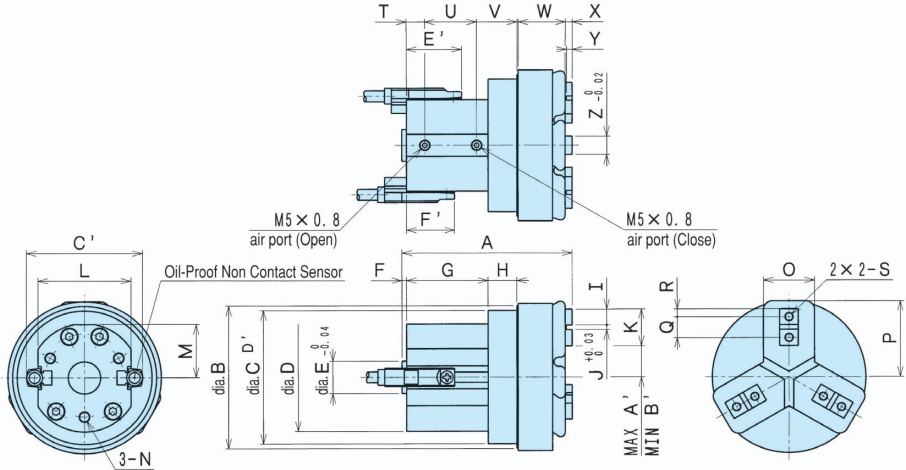


Oil-Proof Chuck CKGJ Series

Layout Drawing

■ **CKGJ-16AS to 32AS** (Optimal Grip Force 20N to 200N)

CKGJ-□□AS Standard



Model	A	B	C	D	E	F	G	H	I	J	K	L	M	N				O	P	Q	R	S		T	U	V	W	X	Y	Z
CKGJ-16AS	63.5	—	48	36	12	2	33.5	7.5	5	2	12	31	17.5	M3×0.5 depth10	P. C. D. 23	20	27	7	2.5	M3×0.5 depth6	6	21.5	—	18.5	2	1.5	6			
CKGJ-25AS	74	62	58	47	14	2	35.5	12.5	7	2	16	40	23	M5×0.8 depth12	P. C. D. 34	22	33	9	3.5	M4×0.7 depth8	8	22.5	0.5	20.5	3	2.5	8			
CKGJ-32AS	83	74	70	57	18	2	39.5	14	7.5	3	18	47	28	M5×0.8 depth12	P. C. D. 42	27	39.5	10	4	M4×0.7 depth8	8.5	24.5	0.5	24	3	2.5	10			

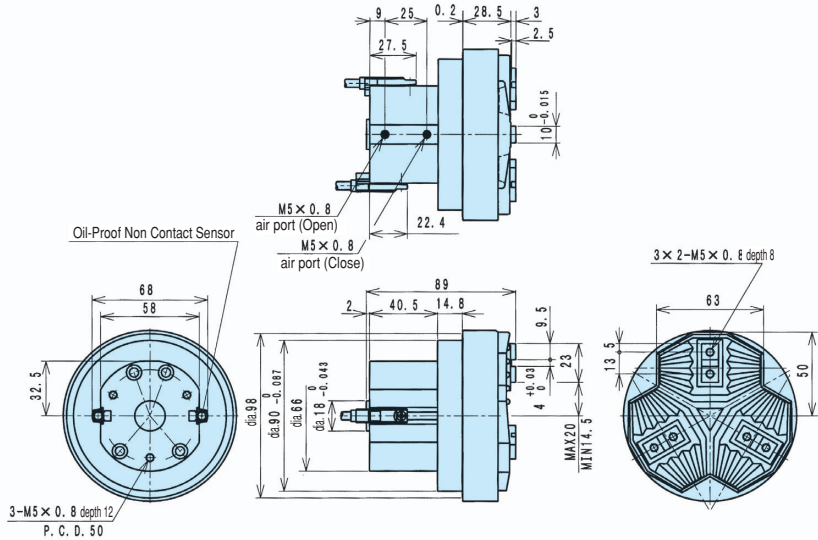
Model	A'	B'	C'	D'	E'	F'
CKGJ-16AS	11	8	41	$0_{-0.06}$	21.5	18.5
CKGJ-25AS	13.5	10.5	50	$0_{-0.07}$	24	21
CKGJ-32AS	17.5	13.5	57	$0_{-0.07}$	26.1	22.6

CKGJ-16AS/25AS/32AS/40AS/50AS

For CAD data, please go to **▶518P**

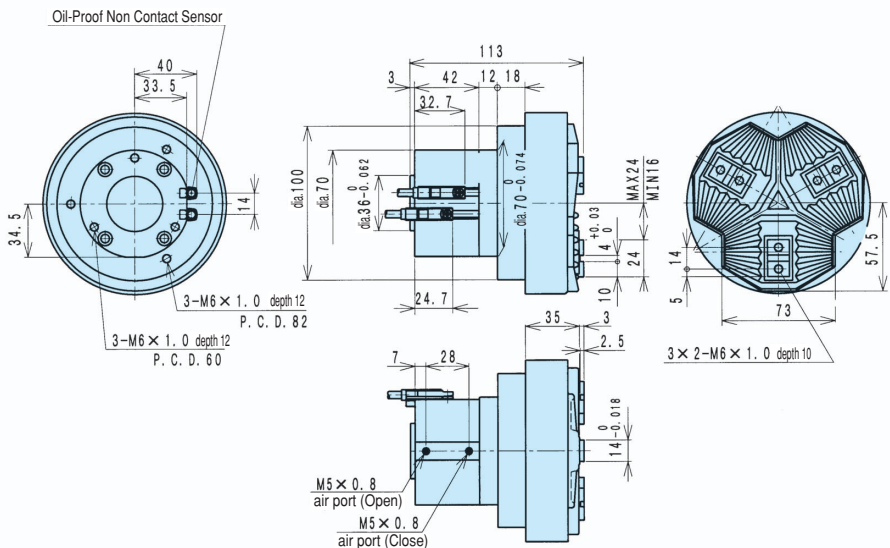
CKGJ-40AS (Optimal Grip Force 200N to 350N)

CKGJ-40AS Standard



CKGJ-50AS (Optimal Grip Force 300N to 500N)

CKGJ-50AS Standard



Clean Room & Special Type