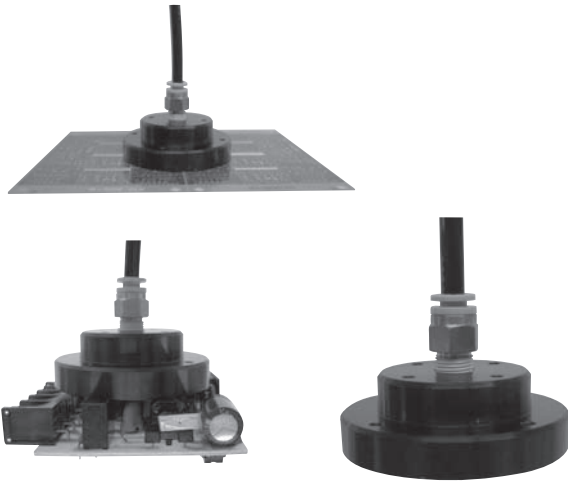


# CONPAD (Non-contact pad) COP series



## Features

- Non-contact pad  
Non-contact transfer possible (based on Bernoulli principle)
- Line-up  
φ20, 40, 60, 80, 100
- Transfer of porous, uneven surface (with contact)

## How to order

COP - 20

↑  
Pad diameter

20	φ20
40	φ40
60	φ60
80	φ80
100	φ100

## How to order option

● Anti-slip damper

COP - 20 G

↑  
Pad diameter

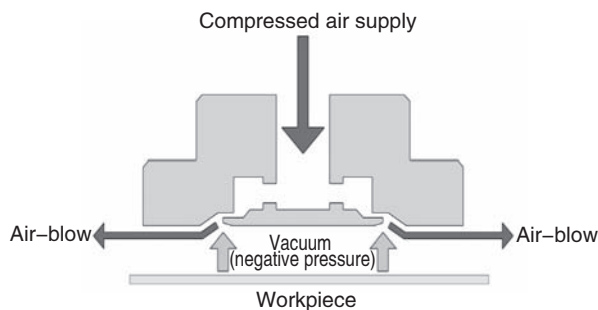
20	φ20
40	φ40
60	φ60
80	φ80
100	φ100

Note) When using COP with damper, there will be contact between the pad and the workpiece.

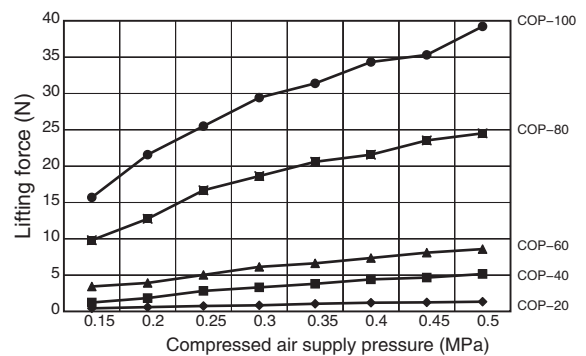
Reference	unit	COP-20	COP-40	COP-60	COP-80	COP-100
Fluid		Non-corrosive / Non-flammable gas				
Port thread		M5	Rc1/8	Rc1/8	Rc1/4	Rc1/4
Operating pressure range	MPa	0.15 ~ 0.5				
Operating temperature range	°C	0 ~ 60 (without freezing)				
Lifting force	N	1.3	5.1	8.5	24.5	39.2
Air consumption	ℓ/min (ANR)	79	114	133	242	242
Mass	g	13.5	59	102	171	230

Lifting force and air consumption values in above table are effective when air supply pressure is set at 0.5 MPa and in the case of flat item suction.

## Operation principle



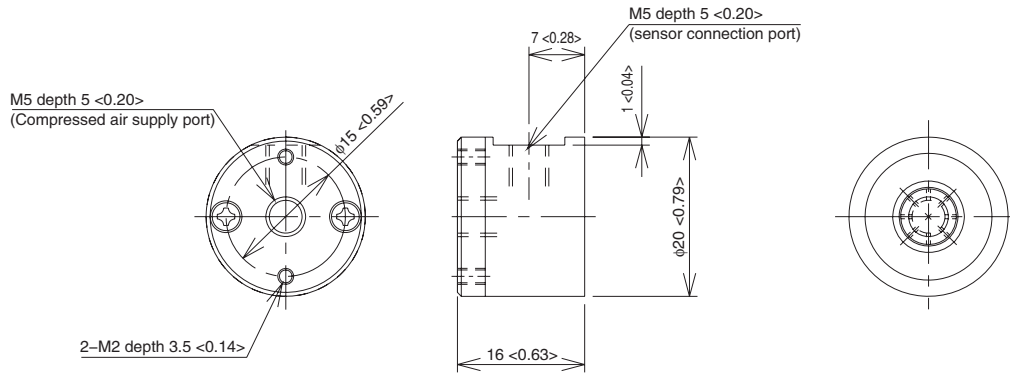
## Lifting force



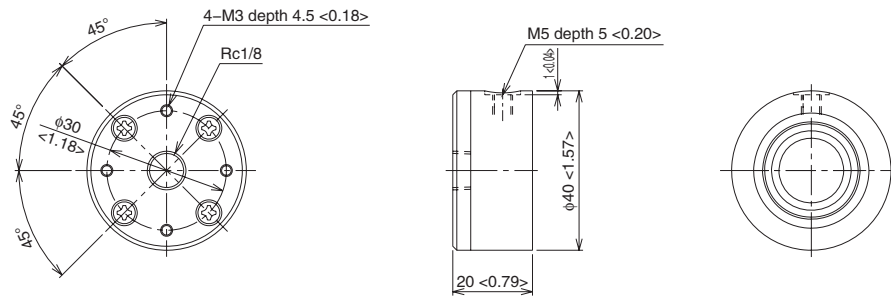
## Dimensions

Unit : mm <inch>

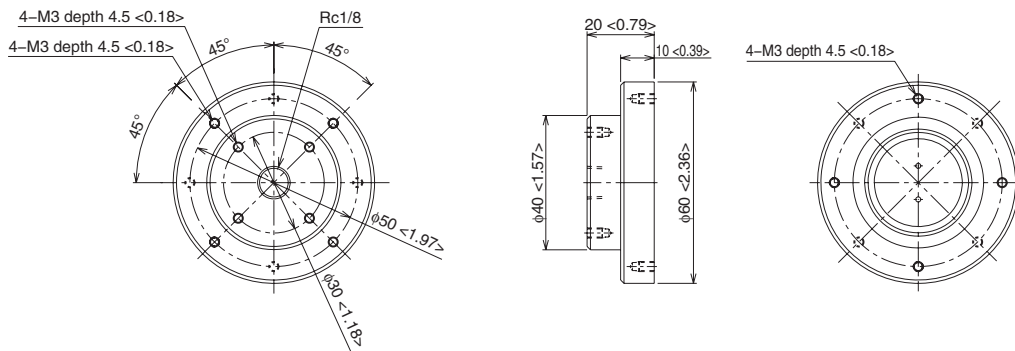
COP-20



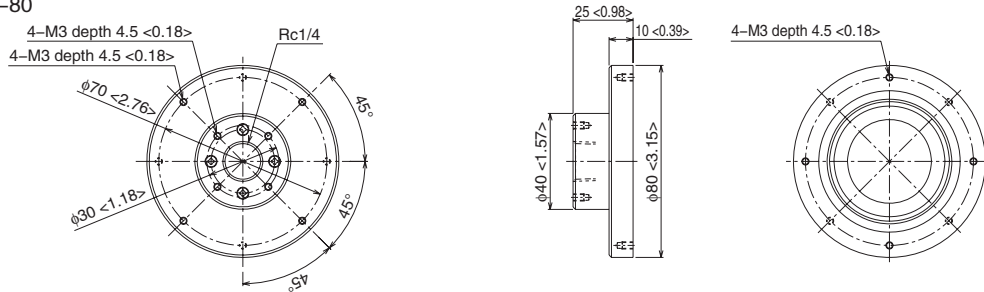
COP-40



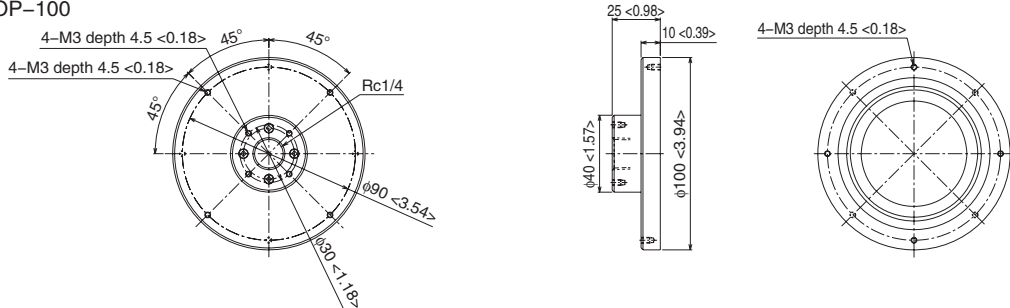
COP-60



COP-80



COP-100



# Made to order Slim COP type

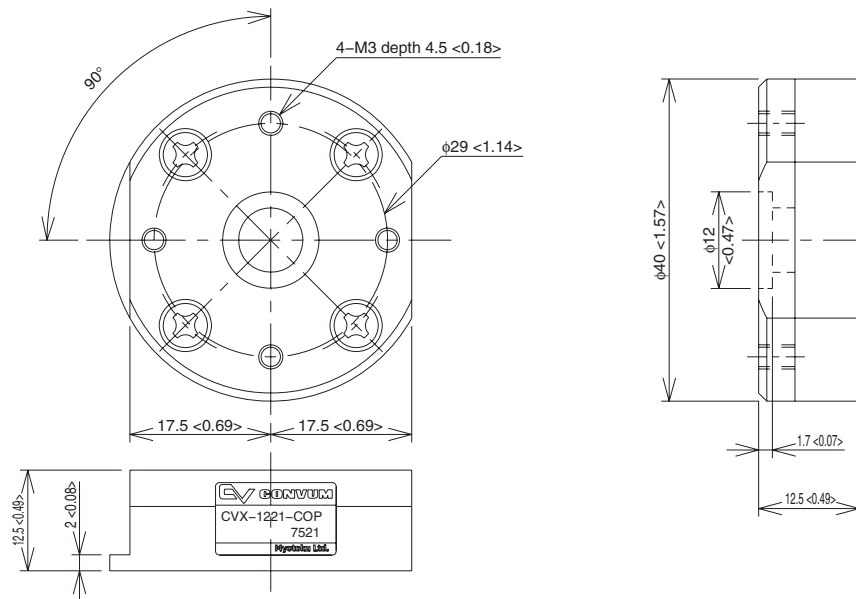
## Features

- Compact slim type
- Specifications equal to standard COP

## How to order CVX-1221-COP (COP-40 slim version)

## Dimensions

Unit : mm <inch>



## How to order CVX-1229-COP (COP-100 slim version)

## Dimensions

Unit : mm <inch>

