

# High flotation type LTU-025P □



## ● Reduce cost

Make it possible to save cost for transfer line

## ● Lightweight

80% reduce

※ Compared to LTU-025B-R

## How to order

LTU - 025 P **A**

Length : 250mm

Joint

A	without joint
B	one side joint
C	both sides joint

Joint for connection (a set of 3)

## Specifications

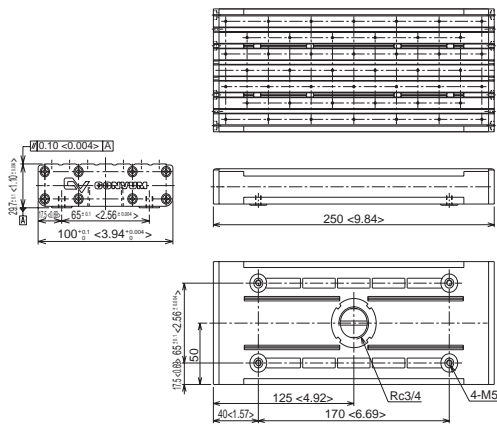
Reference	Unit	LTU-025P □
Size(W × L × H)	mm <inch>	100 × 250 × 29.7 <3.94 × 9.84 × 1.17>
Fluid		Non-corrosive / Non-inflammable gas *1
Ambient temperature	°C	0 ~ 50 (without freezing)
Lubrication		unavailable
Operating pressure range	kPa	0 ~ 200
Flatness	μ m	100

\*1 Supply compressed air using air filter with filtration rate lower than 5 μ m and oil mist separator with 0.01 μ m filtration rate.

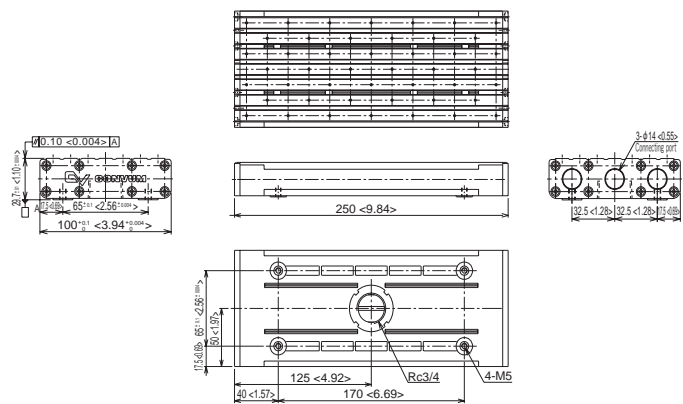
## Dimensions

unit : mm <inch>

### LTU-025PA



### LTU-025PB



### LTU-J



### LTU-025PC

