

Slim type pressure sensor MPS-9 series



● Space savings · 10mm width

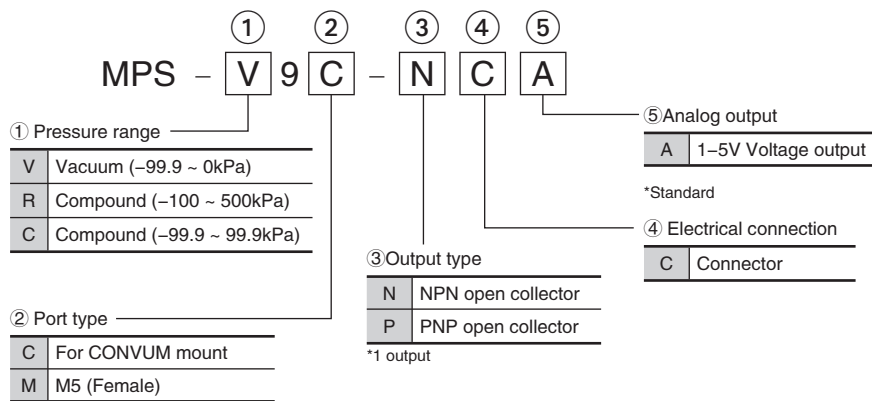
● Easy settings

Use key button to set valve

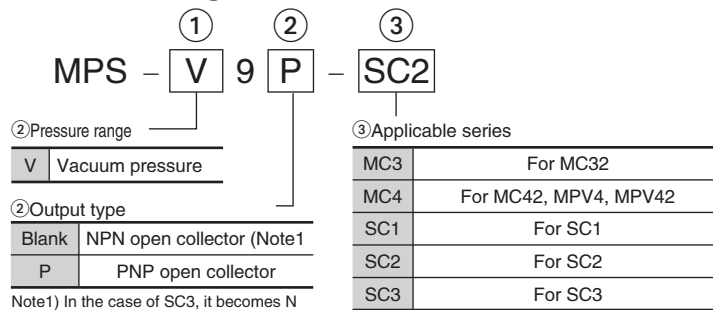
● High speed response time

Output response time less than 1.5ms

How to order



CONVUM mounting reference



Mounting parts (Option)

■ Fittings



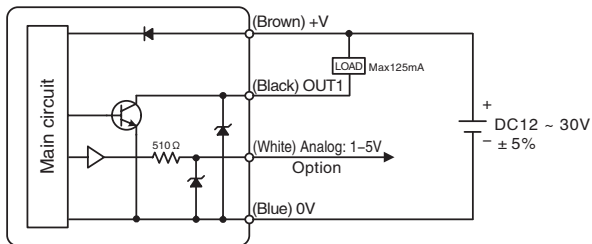
L9A, L9B bracket : MPS-ACCK6

Specifications

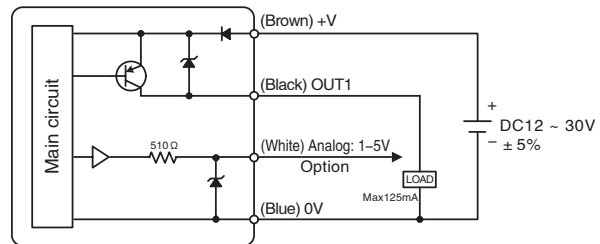
Description	Unit	MPS-V9□-□CA	MPS-C9□-□CA	MPS-R9□-□CA
		Vacuum	Compound	
Fluid		Air (non corrosive, nonflammable gas)		
Diaphragm		Silicone Diaphragm		
Pressure range	kPa	- 99.9 ~ 0	- 99.9 ~ 99.9	- 100 ~ 500
Minimum unit setting	kPa	0.1		1
	kgf/cm ²	-		0.01
	bar	0.001		0.01
	psi	-		0.1
	inHg	0.1		-
	mmHg	1		1
Proof pressure	MPa	0.3		0.8
Operating ambient temperature	°C	0 ~ 50 (without freezing)		
Operating humidity	%	35 ~ 85 RH(without condensation)		
Port type		M5 port/For CONVUM mounting port		
Power supply	V	DC12 ~ 24, ripple (Vp-p) less than 5%		
Power consumption	mA	50		
Switch output		NPN or PNP open collector transistor		
	Current load	mA max.125mA 1 output		
Analog output (Option)	V	Voltage output DC1 ~ 5 (± 0.1) linearity 0.5%F.S.		
Repeatability	%	± 0.2 F.S., less than 1digit		
Temperature characteristic		25°C ± 2% of F.S. or less at range of 0 ~ +50°C		
Response time	ms	less than 1.5		
Display	Digital	3-digit, 7-segment, Red color LED		
	Operation	OUT: Red color LED		
Protection structure		IP40		
Vibration resistance		10 ~ 55Hz, double amplitude 1.5mm 2 hours/each direction XYZ		
Shock resistance	m/s ²	980 (3 times each direction XYZ)		
Connection of power source and output		Maker: JST, model: GHR-05V-S		
Cable Specifications		5 lead wires, 24AWG UL AWM20276, 1000mm		
Mass	g	15(Body only)		

Internal circuit

NPN output (analog output: 1-5V)



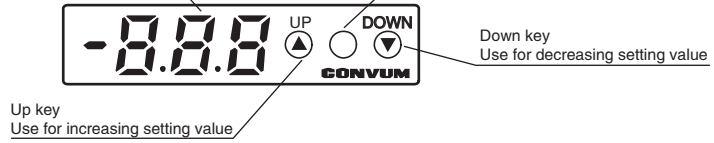
PNP output (analog output: 1-5V)



Display

Digital display (RED color LED, 3 digit)
It displays current pressure value.
It also displays settings code and error code.

Output display
Output LED (GREEN color)



Setting method

Please check the instruction manuals for details

① Set a setting value



Press up ▲ or down ▼ key. After waiting 1 second, "H-1" and current setting value -80.2 displays.

② Input a setting value

Set a new setting value by pressing up ▲ or down ▼ key.
After waiting 5 seconds without pressing key, "END" displays returns and sensor mode to initial mode.

③ Set a hysteresis range



Keep pressing up ▲ and down ▼ key for 3 seconds.
It displays "----" and current hysteresis -10 displays.
Set a new setting value by pressing up ▲ or down ▼ key.
After waiting 5 seconds without pressing key, "END" displays returns and sensor mode to initial mode.

Other settings

① Security lock (function for locking keys to protect setting values)



• How to lock the display
Keep pressing up ▲ key and press down ▼ key.
The display is lock.



• How to unlock the display
Keep pressing up ▲ key and press down ▼ key.
The display is unlock.

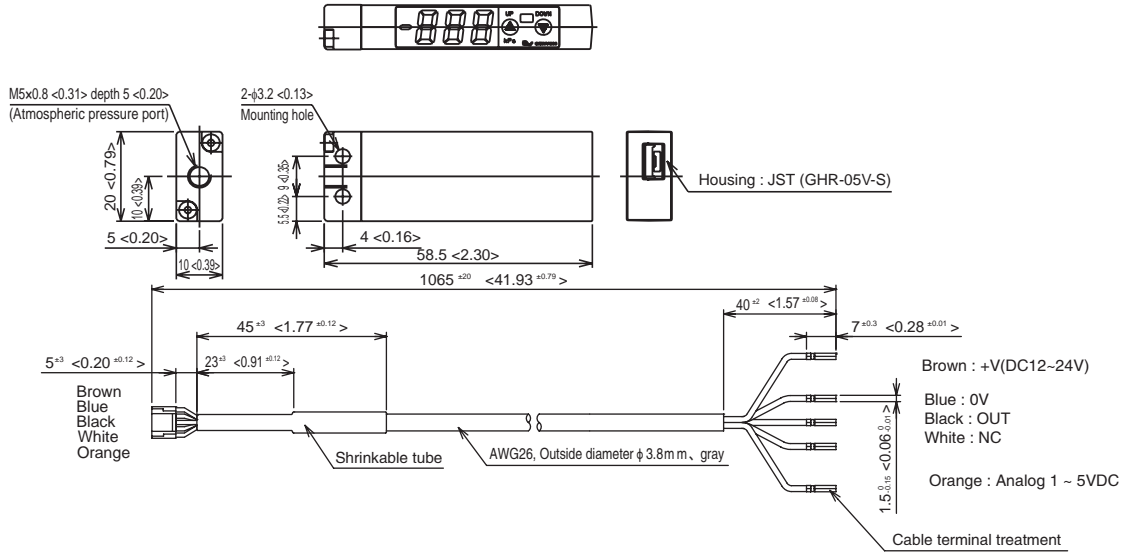
② Zero reset

Keep pressing down ▼ key for 3 seconds.

Dimensions

Unit : mm <inch>

M5 port type



For CONVUM mount port type

