

*High load type capable of applying and filling ultra high viscosity fluids*

*NDM*



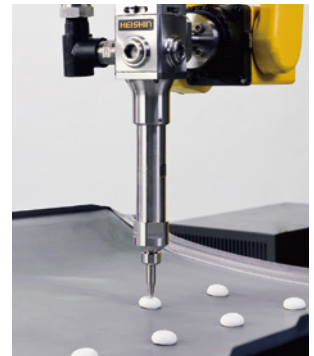
Capable of uniformly applying and high precision filling normally hard-to-handle fluids such as ultra high viscosity silicone resin or epoxy resin.

**Tough enough to withstand harsh operating conditions**

Capable of supporting heavy load conditions such as in high-speed movement by a large size robot.

**Consistent discharge of fluids of insufficient liquidity**

Delivers superbly at constant rate with even ultra high viscosity fluid having nearly no liquidity.

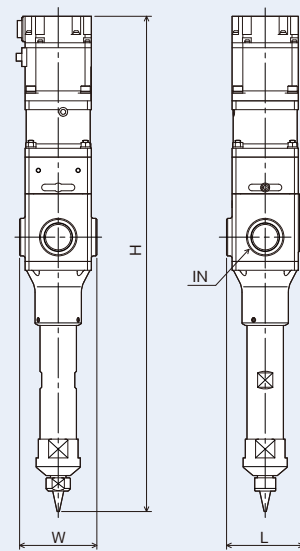


**Many are deployed in the car production processes**

Deployed in various car production processes, for sealing car bodies, or dispensing FIPG on engine parts.



Type NDM dimensional outline drawing



●Type NDM performance / dimension table

Type	Discharge rate (mL/s)	AC servomotor (W)	Discharge accuracy (mL)	H (mm)	W (mm)	L (mm)	IN	Weight (kg)	Casing internal volume (mL)
3NDM08G9	0.1~ 7.0	200	±0.04	418	70	70	3-Rc $\frac{3}{4}$	4.5	39
3NDM10G9	0.2~13.5	200	±0.08	449	70	70	3-Rc $\frac{3}{4}$	4.8	51
2NDM15G9	1.1~61	400	±0.28	485	70	70	3-Rc $\frac{3}{4}$	5.7	60

\*Rating and dimension above are shown as model cases.

\*The specifications provided in this catalog are subject to change without prior notice.

\*The discharge accuracy is a rough value to be measured when clear water is discharged at 0.5 - 5 rotation.