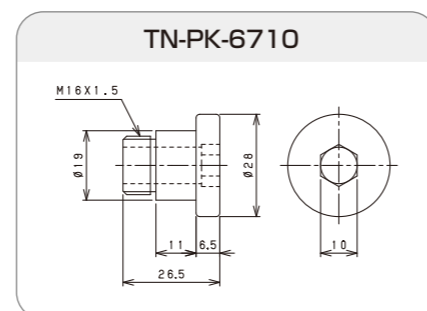
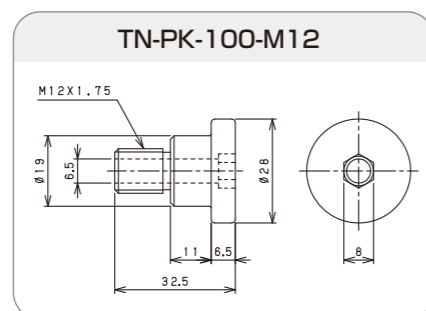
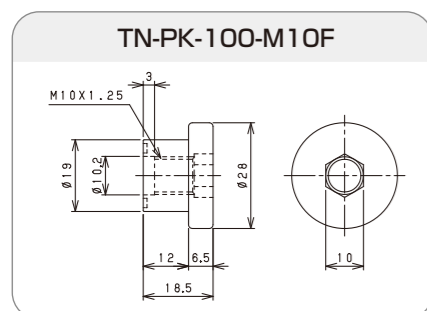
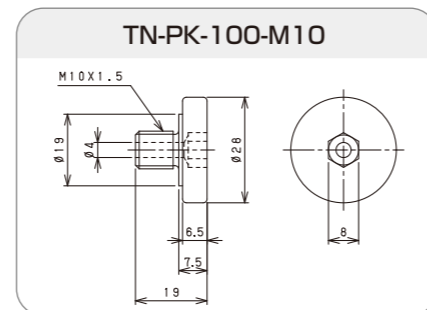
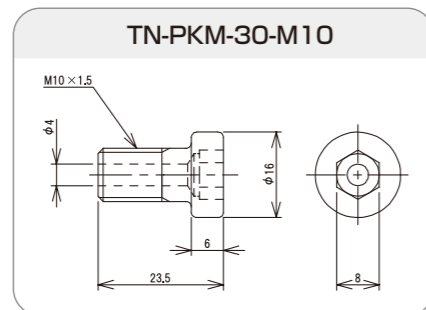
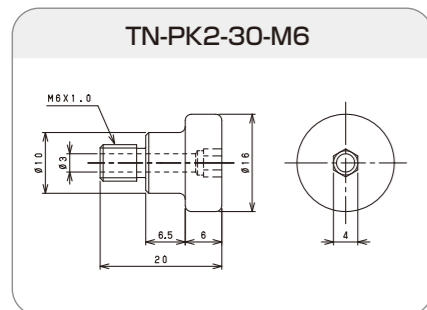
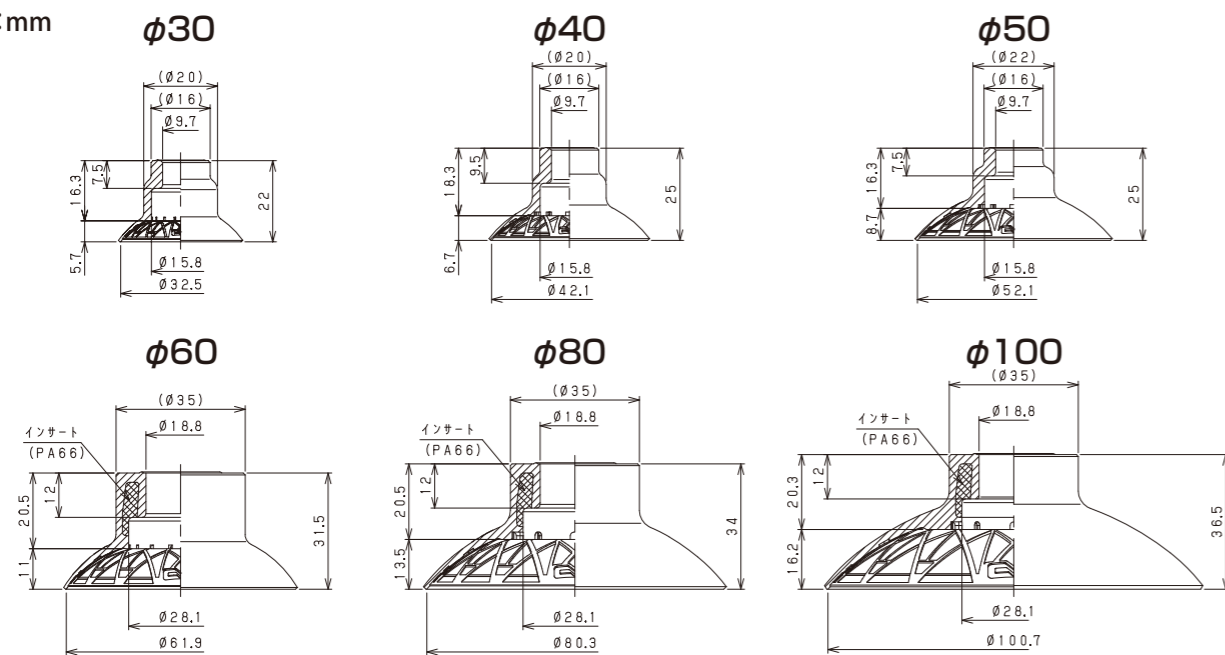


Dimensions

unit:mm



High durability ecology cup

PK2 series

Sakura Cup



NEW High durability ecology cup

PK2 series



High durability

Material : TPU having high durability (Thermoplastic polyurethane)

- Wear resistant** 10 times longer than conventional material (※ 10 times less than NBR on the list of ※1 Taper abrasion loss)
- Oil resistance** Excellent resistance against mineral oil, vegetable oil
- Weather resistance** Excellent resistance against ozone, long life circle

TPU physical characteristics comparison

Type	NBR	TPU
Hardness(A/s)	55	85
Tensile strength TB(MPa)	13.5	46
Tear strength TR(N/mm)	34.8	95
Growth EB(%)	630	570
Ambient temperature(°C)	-26~120	-60~120
※1 Taber abrasion loss	241	24
※2 Wear resistant	△~○	◎
※2 Aging resistance	○	○
※2 Ozone resistance	×	◎
※2 Oil resistance	○	◎

※1.JIS K7311---wear ring :H-22, load 9.8N, rotational speed:1000 rotation
 ※2.It's a specifications excerpt of each company, not comparison of NBR and TPU.

Follow to curved surface

Flexible lip to follow curved surface, for various object shape



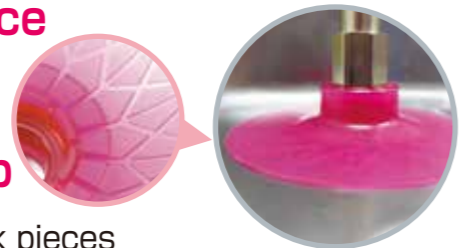
Application **automotive industry**

Due to high durability, less replacement and running cost.

Anti-slip Pattern

Patterned cup surface prevents the work pieces with oily surface from sideslip

Sheet metal and other work pieces with the oily surface can be picked up and transported.



Application **press industry**

ECO Light weight

40% lighter compared to PKMG series (NBR).

- Compatible with PKMG series.
- The pad without any metal shaft, not necessary to separate rubbish. →Eco - friendly



How to order

PK2 - **40** - **T**

① Cup diameter (mm) ② Cup material

30	φ30	60	φ60	T	TPU
40	φ40	80	φ80		
50	φ50	100	φ100		

Cup specifications

Type	Mass(g)	The minimum radius of curvature of work piece(mm)	Maximum expansion amount of cup diameter(φmm)
PK2-30-T	3.2	16	37.0
PK2-40-T	5.1	20	47.8
PK2-50-T	6.8	25	58.5
PK2-60-T	18.0	31	70.9
PK2-80-T	25.0	35	91.0
PK2-100-T	37.2	45	112.5

Applicable setting screws table

Type of setting screws	cup diameter (mm)					
	30	40	50	60	80	100
TN-PK2-30-M6※	○	○	○			
TN-PKM-30-M10	○	○	○			
TN-PK-100-M10				○	○	○
TN-PK-100-M10F※				○	○	○
TN-PK-100-M12				○	○	○
TN-PK-6710				○	○	○

※Can be mounted to standard fitting

Cup material specifications

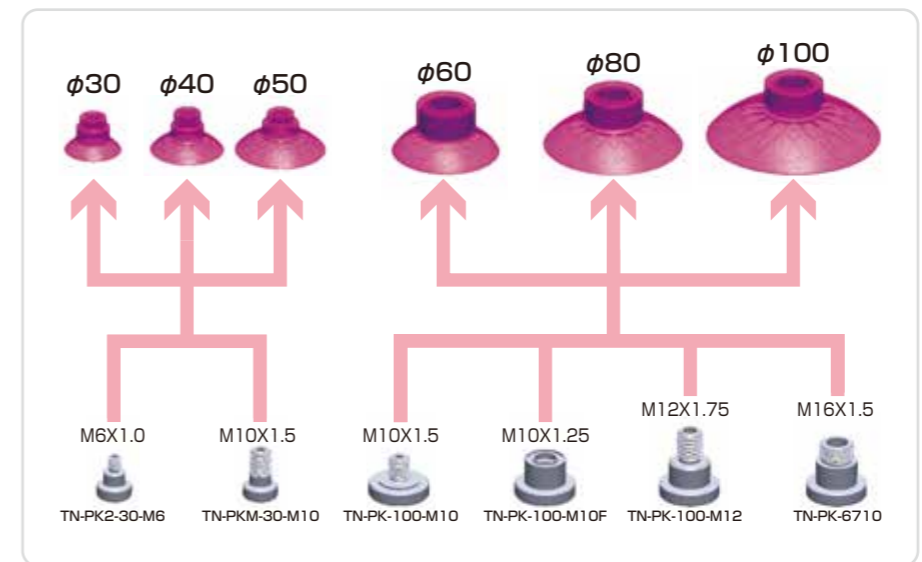
Material symbol	Material	Hardness	Ambient temperature	Color
T	TPU	A85/s	-60~120°C	Semi-transparent pink

※Insert of φ60, φ80, φ 100 uses PA.

Setting screws specifications TN series

Type	cup diameter (mm)					
	30/40/50			60/80/100		
M6X1.0 Male screw	M10X1.5 Male screw	M10X1.5 Male screw	M10X1.25 Female screw	M12X1.75 Male screw	M16X1.5 Male screw	
Material: Stainless			Material: Carbon steel			

Cup-setting screws combination image



Standard fitting with cup

