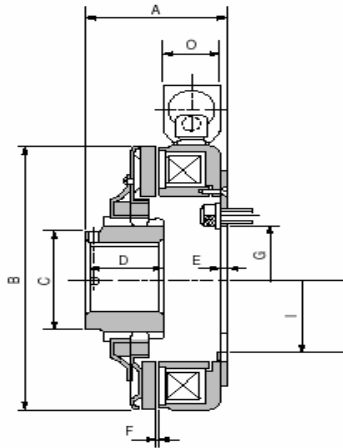


# B

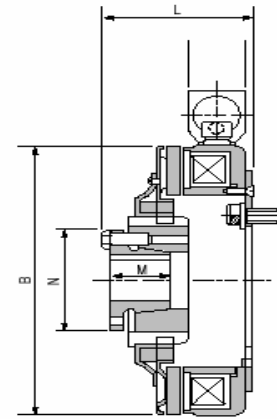
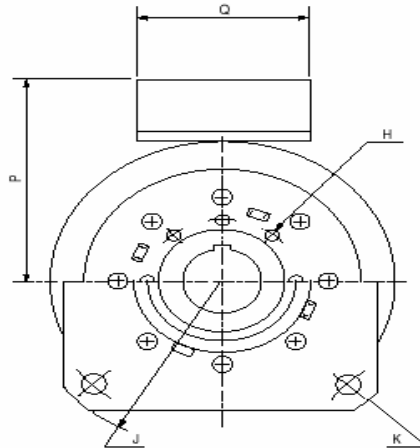
# Self-Adjusting EM Brake

Types: 20, 50

[ EM: Electromagnet ]



20B and 50B brakes



50B Brakes

B		20	50
Rated Torque [ft-lbs / N-m]		20 / 27.1	50 / 67.8
Coil (20°C)	Voltage [DC-V]	90 <sup>1</sup> , 28, 6	90 <sup>1</sup> , 6
	Resistance [Ω]	1087	237
Max Allowable Speed [rpm]		4500	4000
Standard Bore Options [in]	Bore	1/2	1-1/8
	Key	1/8 x 1/16	1/4 x 1/8
	Bore	5/8	1-1/4
	Key	3/16 x 3/32	1/4 x 1/8
	Bore	3/4	Accepts Type G Bushing
Key	3/16 x 3/32		
Bore	7/8		
Dimensions [in]	Key	3/16 x 3/32	
	Bore	1	
	Key	1/4 x 1/8	
	A	2.219	2.406
	B	4.25	5.313
	C	1.594	1.969
	D	1.188	1.313
	E	0.094	0.125
	F	0.024	0.031
	G	1.874 / 1.873	2.065 / 2.063
	H (Qty)	-	8
	H (Bore)	-	0.187 / 0.181
	H (Depth)	-	2.875
	I	-	2.75
	J	5.625 / 5.623	6.500 / 6.498
	K	5	5.875
	L	-	2.627
M	-	1	
N	-	1.978 / 1.968	
O	-	1.25	
P	Terminal	4.150 <sub>Max</sub>	
Q	-	2.875	
Weight [lbs / kg]		4.0 / 1.8	6.2 / 2.8

[ Note 1 : Most common voltage ]

[ 1" = 25.4mm ]