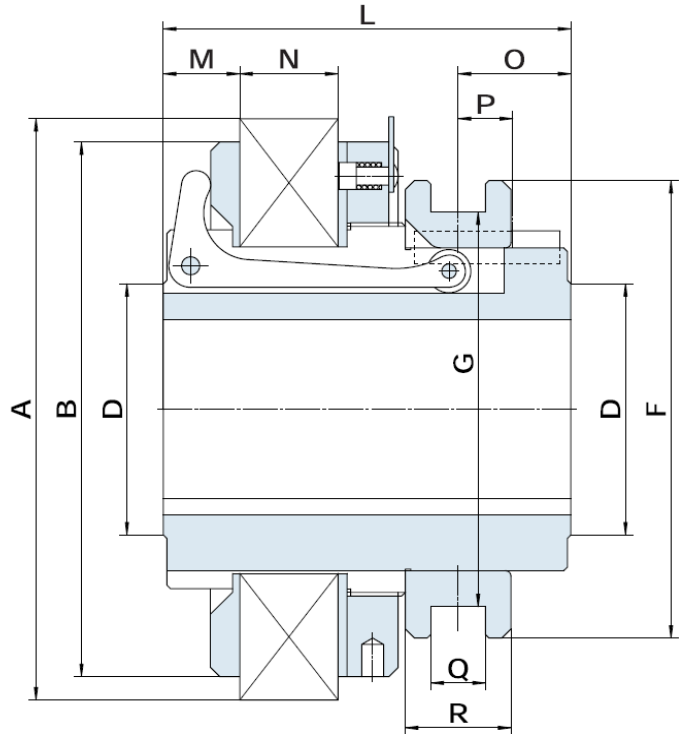
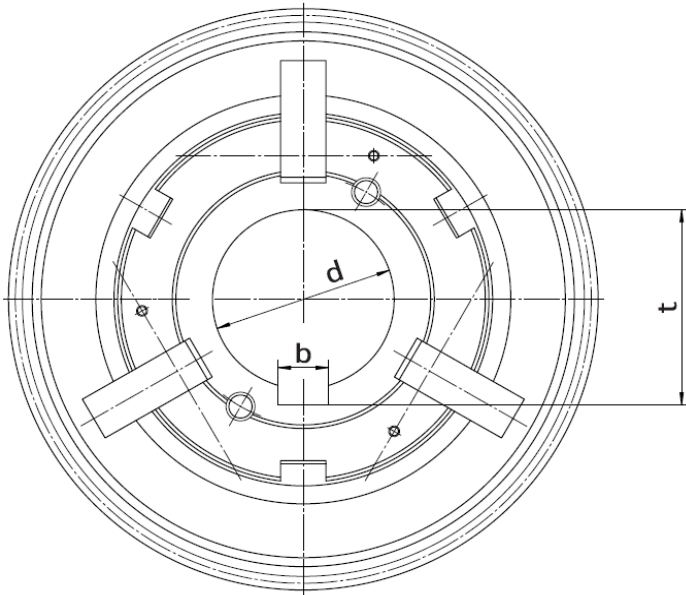


# DS

## Dry Type Multiple Disc Mechanical Clutch [Single Type]

Types: 1006, 1206, 1406 1606



OS		1006TG	1206TG	1406TG	1606TG
Dynamic Torque [ft-lbs / N-m]		811 / 1100	1475 / 2000	2581 / 3500	3467 / 4700
Static Torque [ft-lbs / N-m]		1106 / 1500	2065 / 2800	3688 / 5000	4794 - 6500
Activation Force [N]		500	700	900	1100
Inertia $J \times 10^{-4} (\text{kg} \cdot \text{m}^2)$	Body	2220	6530	14100	24300
	Outer Disc	333	1180	2500	4180
Bore $d_{H7}$		80	100	120	150
Keyway $b_{e9} \times t_0^{+0.1}$		20×86	28×109	32×130	38×162
Radial Dimensions [mm]	A	259.2	324	374	424
	B	238	298	348	398
	D	105	140	160	190
	F	205	255	295	335
	$G_{e9}$	170	220	250	290
Axial Dimensions [mm]	L	185	224	265	265
	M	34	42	50	50
	N	42	54	63	63
	O	55	62	75	75
	P	27	30	35	35
	$Q_{H8}$	25	30	35	35
	R	48	58	70	70
Outer Disc Gear Full Depth Teeth Pressure Angle 20°	AM Coeff.*	-0.1	-0.1	-0.1	-0.1
	Module	4	5	5	5
	# of Teeth	63	63	73	83
Application Coupling		UWG-100	UWG-120	UWG-140	UWG-160
Weight [lbs / kg]		75 / 34	154 / 70	254 / 115	320 / 145

\*Addendum Modification Coefficient

[ 1" = 25.4mm ]