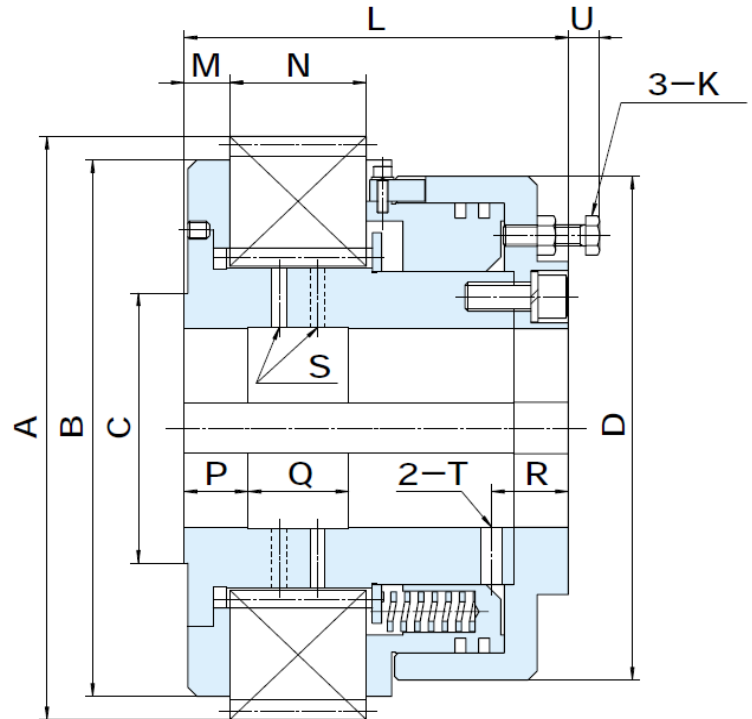
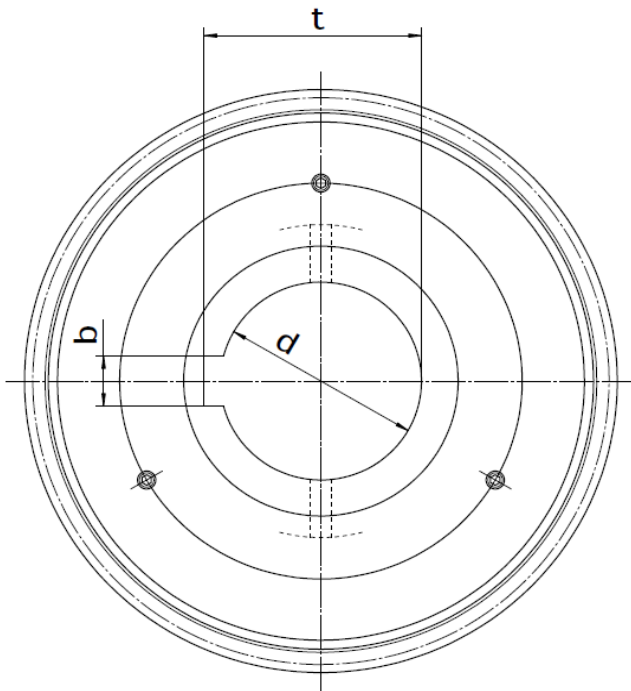


HO

Wet Type Multiple Disc Hydraulic Clutch

Types: 1007, 1207, 1407, 1607



HO		1007	1207	1407	1607
Dynamic Torque [ft-lbs / N-m]		2213 / 3000	4425 / 6000	7376 / 10000	11060 / 15000
Static Torque [ft-lbs / N-m]		3688 / 5000	7376 / 10000	12170 / 16500	18440 / 25000
Oil Pressure [Mpa]	Normal	2.5	2.5	2.5	2.5
	Maximum	3	3	3	3
	Return	0.5	0.5	0.5	0.5
Cylinder Volume [cm ³]		140	260	380	550
Inertia $J \times 10^{-4} (\text{kg} \cdot \text{m}^2)$	Clutch Body	2275	7750	16000	30500
	Outer Disc	950	4350	5980	8630
Bore d_{H7}		90	110	130	160
Keyway $b_{E9} \times t_0^{+0.15}$		24×98	28×119	35×141	38×172
Radial Dimensions [mm]	A	259.2	324	374	424
	B	238	298	348	398
	C	130	150	170	200
	D	230	280	320	380
	K	M10	M12	M16	M16
Axial Dimensions [mm]	L	175	210	240	260
	M	21	25	28	30
	N	58.5	74.5	86.5	87.5
	P	30	35	40	40
	Q	40	55	65	70
	R	34	42	48	51
	S	8	8	10	10
	T	12	12	14	14
	U	20	17	20	20
	Outer Disc Gear Full Depth Teeth Pressure Angle 20°	AM Coeff.*	77	95	-0.1
Module		4	5	5	5
# of Teeth		63	63	73	83
Applicable Coupling		UWG100S	UWG120S	UWG140S	UWG160
Weight [lbs / kg]		101.4 / 46	183 / 83	295 / 134	412 / 187

*Addendum Modification Coefficient

[1" = 25.4mm]