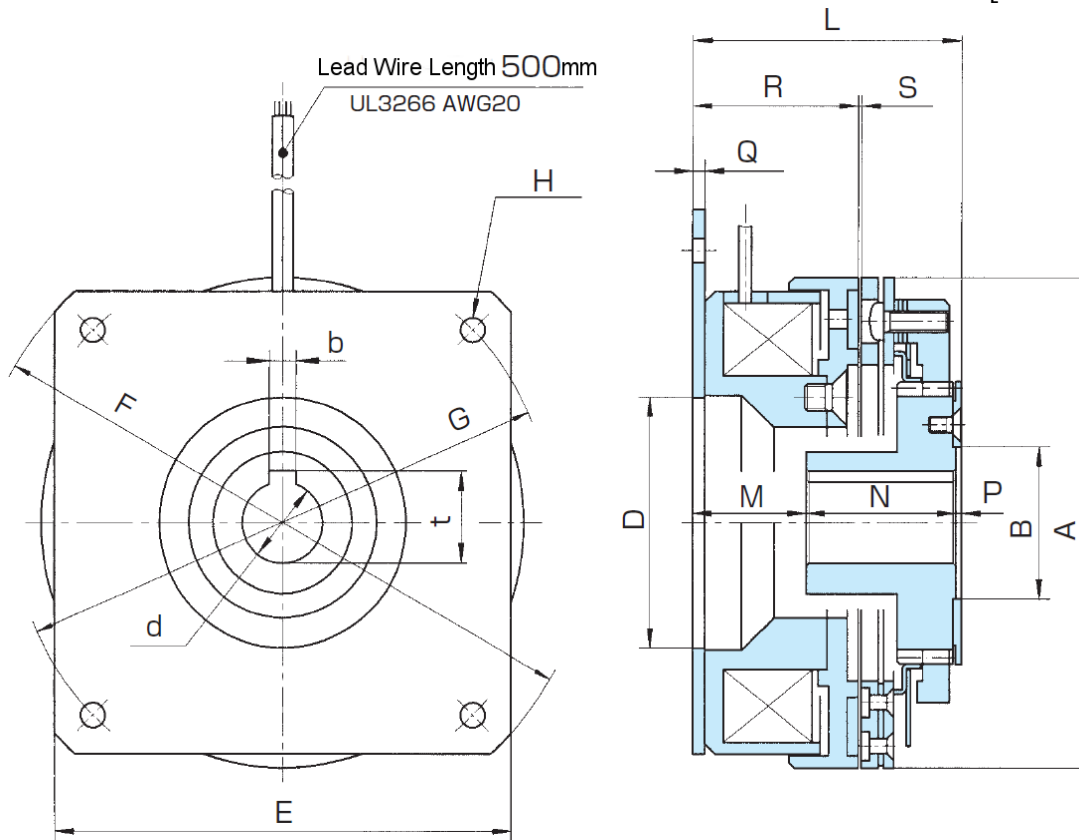


MSB

Single Disc EM Brake

Types: 1.2, 2.5, 5

[EM: Electromagnet]



MSB		1.2	2.5	5
Static Torque [ft-lbs / N-m]		8.85 / 12	18.44 / 25	36.88 / 50
Coil (20°C)	Voltage [DC-V]	24		
	Current [A]	0.71	0.96	1.25
	Resistance [Ω]	35	23	19
	Wattage [W]	17	25	30
Moment of Inertia (J) $\times 10^{-4}$ [kg-cm ²]		5.5	13	39
Bore	d_{H7}	15	20	25
Keyway	$b_{Fg} \times t_0^{+0.15}$	5 \times 17	5 \times 22	7 \times 28
Radial Dimensions [mm]	A	90	110	140
	B	28	42	50
	D_{H8}	46	54	74
	E	85	103	133
	F_{H8}	115	135	170
	G	100	120	150
	H	4-4.5	4-4.5	4-5.5
Axial Dimensions [mm]	L	50	57.3	67
	M	21	21	20
	N	28	35	45
	P	1	1.3	2
	Q	2	2.4	2.4
	R	31	36	39
	S	0.3	0.3	0.3
Weight [lbs / kg]		2.6 / 1.2	4.85 / 2.2	8.82 / 4

[1" = 25.4mm]