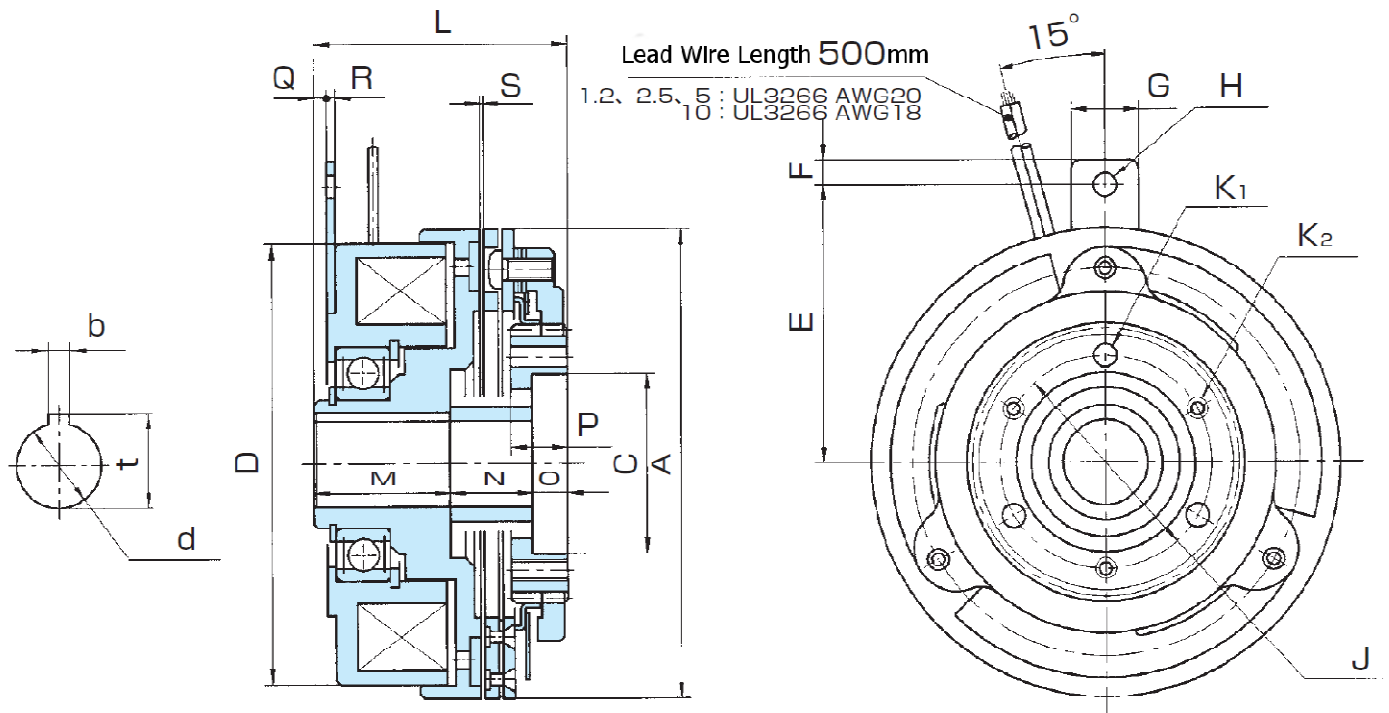


# MSC-T

## Single Disc EM Clutch [Bearing Type]

Types: 1.2, 2.5, 5, 10

[ EM: Electromagnet ]



MSC	1.2T	2.5T	5T	10T	
Static Torque [ft-lbs / N-m]	8.9 / 12	18.4 / 25	36.9 / 50	73.8 / 100	
Voltage [DC-V]	24				
Inertia $J \times 10^{-4} (\text{kg} \cdot \text{m}^2)$	Rotor	3.3	8.5	22	73
	Armature	5.5	13.8	39	86
Bore $d_{H7}$	15	20	25	30	
Keyway $b_{E9} \times t^{+0.15}_0$	5×17	5×22	7×28	7×33	
A	90	110	140	175	
$C_{H7}$	32	42	52	62	
D	85.1	103.5	133	165	
E	52	65	80	95	
F	5	6	6	10	
G	14	16	16	24	
H	4.5	5.5	5.5	8.5	
J	40	50	62	75	
$K_1$	3-4.5	3-5.5	3-6.5	3-8.5	
$K_2$	3-M4	3-M5	3-M6	3-M8	
L	50	59	69	85	
M	25	32	35	48	
N	19	19	16	17	
O	6	8	18	20	
P	11	13	21	23.5	
Q	1.4	3	2	3.1	
R	1.6	2	2	2.9	
S	0.3	0.3	0.3	0.4	
Bearing for Armature Hub	6002ZZ	6004ZZ	6205ZZ	6206ZZ	
Weight [lbs / kg]	1.5	2.3	4.2	8.5	

[ 1" = 25.4mm ]