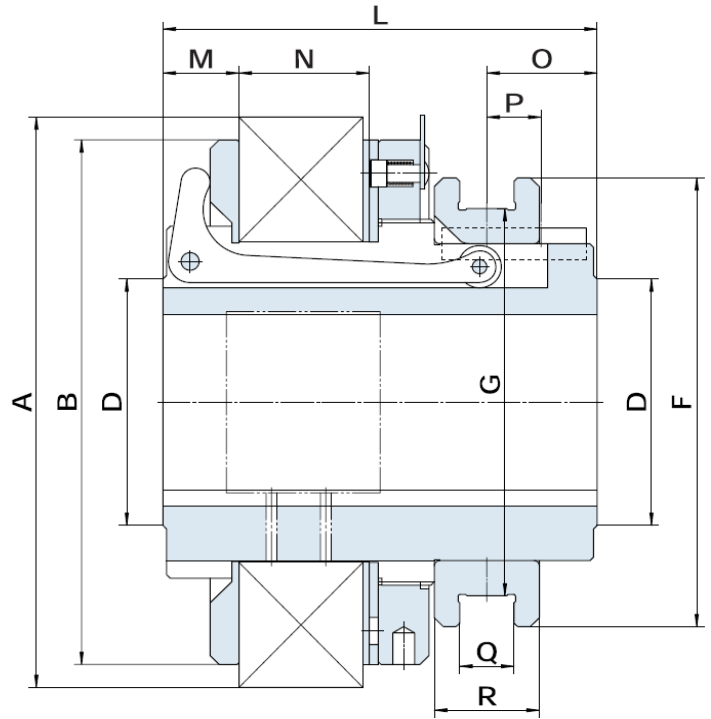
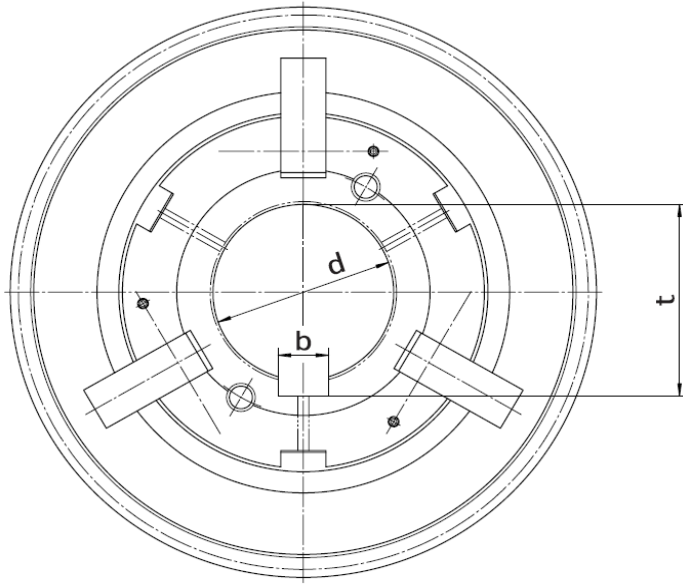


OS

Wet Type Multiple Disc Mechanical Clutch [Single Type]

Types: 1008, 1208, 1409, 1609



OS		1008TG	1208TG	1409TG	1609TG
Dynamic Torque [ft-lbs / N-m]		811 / 1100	1475 / 2000	2581 / 3500	3467 / 4700
Static Torque [ft-lbs / N-m]		1291 / 1750	2360 / 3200	4130 / 5600	5532 / 7500
Activation Force [N]		600	900	1100	1300
Inertia $J \times 10^{-4} (\text{kg} \cdot \text{m}^2)$	Body	2390	7080	16000	27500
	Outer Disc	445	1580	3800	6250
Bore d_{H7}		80	100	120	150
Keyway $b_{e9} \times t_0^{+0.1}$		20×86	28×109	32×130	38×162
Radial Dimensions [mm]	A	259.2	324	374	424
	B	238	298	348	398
	D	105	140	160	190
	F	205	255	295	335
	G_{e9}	170	220	250	290
Axial Dimensions [mm]	L	200	240	300	300
	M	34	42	50	50
	N	56	72	94.5	94.5
	O	55	61	75	75
	P	27	30	35	35
	Q_{H8}	25	30	35	35
	R	48	58	70	70
Outer Disc Gear Full Depth Teeth Pressure Angle 20°	AM Coeff.*	-0.1	-0.1	-0.1	-0.1
	Module	4	5	5	5
	# of Teeth	63	63	73	83
Application Coupling		UWG-100	UWG-120	UWG-140	UWG-160
Weight [lbs / kg]		88.2 / 40	168 / 76	309 / 140	375 / 170

*Addendum Modification Coefficient

[1" = 25.4mm]