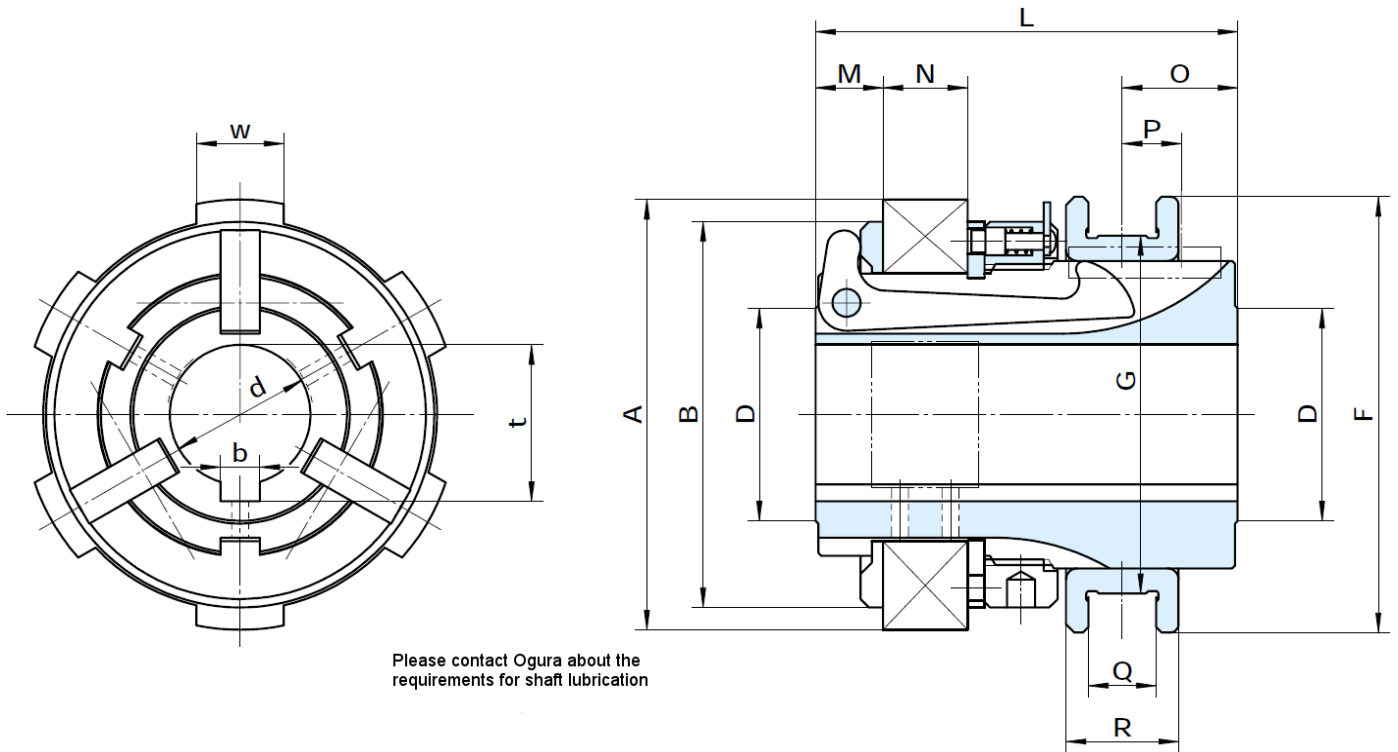


OS

Wet Type Multiple Disc Mechanical Clutch [Single Type]

Types: 255, 357, 357, 558, 708, 808



Please contact Ogura about the requirements for shaft lubrication

OS		255	357	457	558	708	808
Dynamic Torque [lb-ft / N-m]		18.4 / 25	36.9 / 50	73.8 / 100	170 / 230	332 / 450	516 / 700
Static Torque [lb-ft / N-m]		36.9 / 50	73.8 / 100	148 / 200	339 / 460	664 / 900	1033 / 1400
Activation Force [N]		150	200	300	500	500	700
Inertia $J \times 10^{-4} (\text{kg} \cdot \text{m}^2)$	Body	9.5	24	103	195	718	1210
	Outer Disc	1.3	5	13	32	120	165
Bore d_{H7}		25	32	45	55	70	70
Keyway $b_{E9} \times t^{+0.1}_0$		7×28	10×35.5	12×48.5	15×60	18×76	18×76
Radial Dimensions [mm]	A	77	97	125	152	194	220
	B	70	89	114	140	178	203
	D	38	45	60	70	90	90
	F	78	92	122	140	182	195
	G_{E9}	64	77	101	115	149	163
Axial Dimensions [mm]	L	75	98	111	130	160	160
	M	12	15.5	17.5	23	28	28
	N	15	21	21	26.4	34.5	34.5
	O	20.5	27	33	37	46	46
	P	10.5	11	16	18	24	24
	Q_{HB}	12	18	20	22	25	25
	R	20	30	32	36	42	42
Lug	W	15.5	18.5	18.5	15	18	18
	#	6	6	6	10	12	12
Application Coupling		UW6-25	UW6-35	UW6-45	UW12-55	UW12-70	UW12-80
Weight [lbs / kg]		3.1 / 1.4	7.3 / 3.3	12.6 / 5.7	18.7 / 8.5	41.9 / 19	50.7 / 23

[1" = 25.4mm]