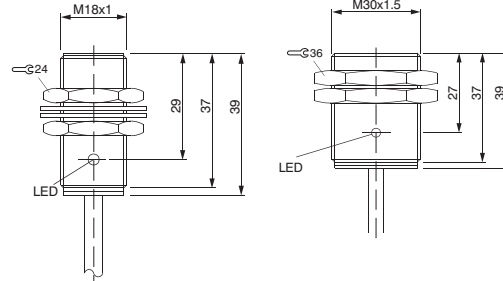


Housing size	M18 x 1	M30 x 1.5		
Mounting type	Shield A	Shield A		
Rated operating distance(Sn)	4mm	8mm		
Assured operating distance(Sa)	0...3.2mm	0...6.4mm		



			Ⓧ	Ⓧ		
Type number	PNP	N.O. N.C.	BN3-1804P	BN3-3008P		
Type number	NPN	N.O. N.C.	BN3-1804N	BN3-3008N		
Rated operational voltage (Ue)			24V DC	24V DC		
Supply voltage (U _B)			24V DC+/-10%	24V DC+/-10%		
Voltage drop (U _d)			≤3.5V	≤3.5V		
Rated operational current (I _a)			130mA	130mA		
No-load supply current (I ₀)			≤20mA	≤20mA		
Off-state current (I _r)			≤0.08mA	≤0.08mA		
Circuit protection			polarity, Short circuit	polarity, Short circuit		
Ambient temperature range (T _a)			0...+50 degrees C	0...+50degrees C		
Frequency of operation (f)			30Hz	15Hz		
Function indication			Yes	Yes		
Protection class per IEC60529			IP67	IP67		
Material	Housing		Nickel plated brass	Nickel plated brass		
	Active surface		Poly Propylene	Poly Propylene		
Connection			Cable	Cable		
Cable*	Outer sheath		PVC	PVC		
	Diameter/core		φ 5mm / 3 x 0.3mm ²	φ 5mm / 3 x 0.3mm ²		
	Length		2m,3m,5m	2m,3m,5m		
Remarks						

Detect only workpieces even if aluminum chips exist in the sensing area.

*In ordering, please specify cable specification (outer sheath and length) as following example.

Type number – Outer sheath Cable length

CableOuter sheath PVC = blank

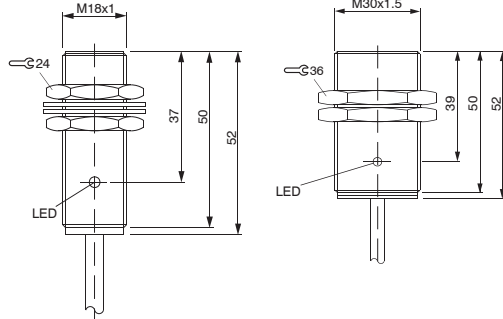
Cable length 3m = 03

Ordering example (PVC cable 3m)
BN3-1804P-03

Inductive Proximity switches
Aluminum chip non-detectable

AC 2-wire
M18/M30
Sn 4/8mm

Housing size	M18 x 1	M30 x 1.5		
Mounting type	Shield A	Shield A		
Rated operating distance	4mm	8mm		
Assured operating distance	0...3.2mm	0...6.4mm		



Type	AC2W	N.O.	J	
number		N.C.	BN3-1804Y	BN3-3008Y
Rated operational voltage			100...220V AC/40...60Hz	100...220V AC/40...60Hz
Supply voltage			90...250V AC/40...60Hz	90...250V AC/40...60Hz
Voltage drop			=<8.5V	=<8.5V
Rated operational current			5...250mA	5...250mA
Inrush current (T=<20ms)			2A	2A
Off-state current			=<1...3mA	=<1...3mA
Circuit protection			No	No
Ambient temperature range			0...+50degrees C	0...+50degrees C
Frequency of operation			5Hz	5Hz
Function indication			Yes	Yes
Protection class per IEC60529			IP67	IP67
Material	Housing		Nickel plated brass	Nickel plated brass
	Active surface		Poly Propylene	Poly Propylene
Connection			Cable	Cable
Cable	Outer sheath		PVC	PVC
	Diameter/core		φ 5mm / 2 x 0.5mm ²	φ 5mm / 2 x 0.5mm ²
	Length		2m,3m,5m	2m,3m,5m
Remarks				

Global Version

Standard

Extended distance

Aluminum chip

Multi metal

Weld immune

Weld splatter resistance

Steel face

Temperature rated

Pressure rated

ATEX

*In ordering, please specify cable specification (outer sheath and length) as



CableOuter sheath PVC = blank

Cable length 3m = 03

Ordering example (PVC cable 3m)
BN3-1804Y-03