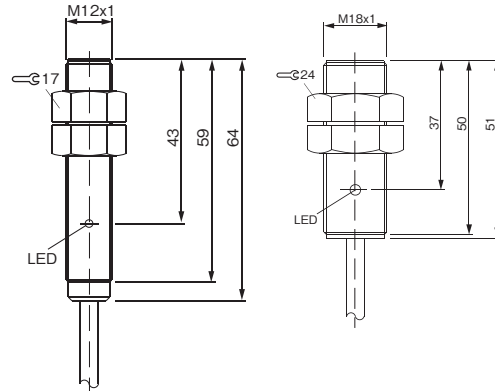


Housing size	M12 x 1	M18 x 1		
Mounting type	Shield A	Shield A		
Rated operating distance(Sn)	2mm	5mm		
Assured operating distance(Sa)	0...1.6mm	0...4mm		



Type number			①		②	
PNP	N.O.	BES 516-325-E5TM	BES 516-326-E5TM			
	N.C.					
NPN	N.O.	BES 516-329-E5TM	BES 516-355-E5TM			
	N.C.					
Rated operational voltage(Ue)		12...24V DC	12...24V DC			
Supply voltage(U <sub>B</sub> )		10...30V DC	10...30V DC			
Voltage drop(U <sub>D</sub> )		≤1.5V	≤3.5V			
Rated operational current(I <sub>a</sub> )		200mA	130mA			
No-load supply current(I <sub>o</sub> )		≤13mA	≤20mA			
Off-state current(I <sub>r</sub> )		≤0.08mA	≤0.08mA			
Circuit protection		polarity, Short circuit	polarity, Short circuit			
Ambient temperature range(T <sub>a</sub> )		-25...+70degrees C	-25...+70degrees C			
Frequency of operation(f)		1000Hz	500Hz			
Function indication		Yes	Yes			
Protection class per IEC60529		IP67	IP67			
Material	Housing	PTFE coated brass	PTFE coated brass			
	Active surface	PTFE	PTFE			
	Nut	PTFE	PTFE			
Connection		Cable	Cable			
Cable	Outer sheath	PVC	PVC			
	Diameter/core	φ 5mm / 3 x 0.3mm <sup>2</sup>	φ 5mm / 3 x 0.3mm <sup>2</sup>			
	Length	2m,3m,5m	2m,3m,5m			
Remarks						

Insensitivity to hot weld splatter by teflon coated housing.

\*In ordering, please specify cable specification (outer sheath and length) as following example.

Type number — Outer sheath Cable length

CableOuter sheath PVC = blank

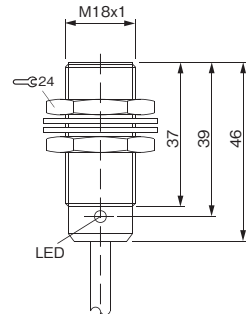
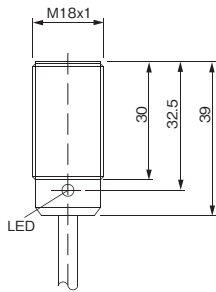
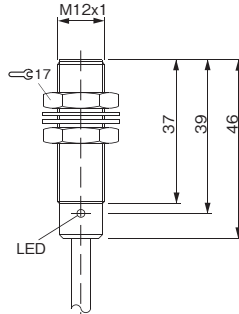
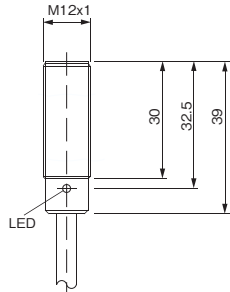
Cable length 3m = 03

Ordering example (PVC cable 3m)  
BES 516-325 E5TM-03

Inductive Proximity switches  
Weld splatter resistance

DC 2-wire / Polarized/Tubular  
M12/M18  
Sn 2/3/5/7mm

Housing size	M12 x 1	M12 x 1	M18 x 1	M18 x 1
Mounting type	Shield A	Shield A	Shield A	Shield A
Rated operating distance	2mm	3mm	5mm	7mm
Assured operating distance	0...1.6mm	0...2.4mm	0...4mm	0...5.6mm



Type number	DC2W	N.O.	N.C.	J	
BT3-1202D				BT3-1202D	BR5T-1203F
BT3-1202D1				BT3-1202D1	
Rated operational voltage(Ue)	12...24V DC			12...24V DC	
Supply voltage(U <sub>B</sub> )	10...30V DC			10...30V DC	
Voltage drop(U <sub>d</sub> )	=<3.5V			=<3.5V	
Rated operational current(I <sub>a</sub> )	4...100mA			4...100mA	
Off-state current(I <sub>r</sub> )	=<0.65mA			=<0.65mA	
Circuit protection	polarity,Short circuit			polarity,Short circuit	
Ambient temperature	-25...+70degrees C			-25...+70degrees C	
Frequency of operation	800Hz			400Hz	
LED indication	Function			Function and Setting	
Protection class per IEC60529	IP67			IP67	
Material	Housing	PTFE coated brass		PTFE coated brass	
	Active surface	PTFE		PTFE	
	Nut	-		Nickel plated brass	
Connection	Cable			Cable	
Cable	Outer sheath	PVC		PVC	
	Diameter/core	φ 5mm / 2 x 0.5mm <sup>2</sup>		φ 5mm / 2 x 0.5mm <sup>2</sup>	
	Length	2m,3m,5m		2m,3m,5m	
Remarks	Teflon nut is available optionally.			Teflon nut is available optionally.	

\*1 : Cable with connector type is also available.

\*In ordering, please specify cable specification (outer sheath and length) as following example.

Type number — Outer sheath Cable length

CableOuter sheath PVC = blank

Cable length 3m = 03

Ordering example (PVC cable 3m)  
BT3-1202D-03

Global Version

Standard

Extended distance

Aluminum chip non-detectable

Multi metal

Weld immune

Weld splatter resistance

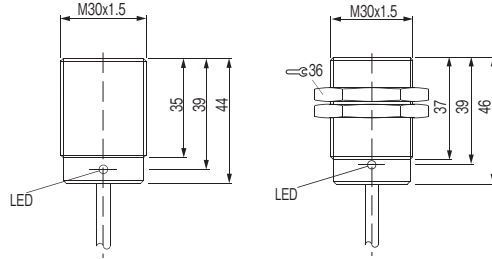
Steel face

Temperature rated

Pressure rated

ATEX

Housing size	M30 x 1.5	M30 x 1.5		
Mounting type	Shield A	Shield A		
Rated operating distance(Sn)	10mm	12mm		
Assured operating distance(Sa)	0...8mm	0...9.6mm		



Type number	DC2W	N.O. N.C.	BT3-3010D	BR5T-3012F		
			BT3-3010D1			
Rated operational voltage(Ue)			12...24V DC	12...24V DC		
Supply voltage(U <sub>B</sub> )			10...30V DC	10...30V DC		
Voltage drop(U <sub>d</sub> )			≤3.5V	≤3.5V		
Rated operational current(I <sub>a</sub> )			4...100mA	4...100mA		
Off-state current(I <sub>r</sub> )			≤0.65mA	≤0.65mA		
Circuit protection			polarity, Short circuit	polarity, Short circuit		
Ambient temperature range			-25...+70degrees C	-25...+70degrees C		
Frequency of operation			300Hz	100Hz		
LED indication			Function	Function and Setting		
Protection class per IEC60529			IP67	IP67		
Material	Housing		PTFE coated brass	PTFE coated brass		
	Active surface		PTFE	PTFE		
	Nut		-	Nickel plated brass		
Connection			Cable	Cable*1		
Cable	Outer sheath		PVC	PVC		
	Diameter/core		φ 5mm / 2 x 0.5mm <sup>2</sup>	φ 5mm / 2 x 0.5mm <sup>2</sup>		
	Length		2m,3m,5m	2m,3m,5m		
Remarks			Teflon nut is available optionally.			

\*1 : Cable with connector type is also available.

Insensitivity to hot weld splatter by teflon coated housing.

\*In ordering, please specify cable specification (outer sheath and length) as following example.

Type number – Outer sheath Cable length

CableOuter sheath PVC = blank

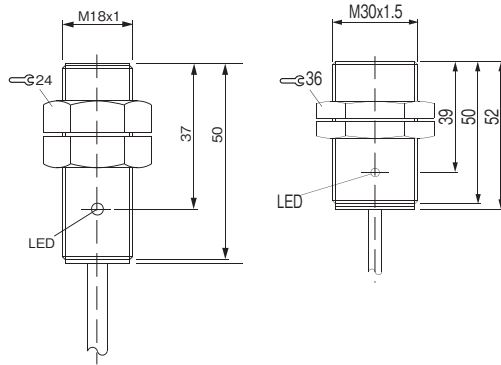
Cable length 3m = 03

Ordering example (PVC cable 3m)  
BT3-3010D-03

Inductive Proximity switches  
Weld splatter resistance

AC 2-wire/Tubular  
M18/M30  
Sn 5/10mm

Housing size	M18 x 1	M30 x 1.5		
Mounting type	Shield A	Shield A		
Rated operating distance	5mm	10mm		
Assured operating distance	0...4mm	0...8mm		



Type	AC2W N.O.	BES516-420 E3TM	BES516-418 E3TM		
Rated operational voltage(Ue)		100...220V AC/40...60Hz	100...220V AC/40...60Hz		
Supply voltage(Ua)		90...250V AC/40...60Hz	90...250V AC/40...60Hz		
Voltage drop(Ud)		=<8.5V	=<8.5V		
Rated operational current(Ie)		5...200mA	5...200mA		
Inrush current (T=<20ms)		2A	2A		
Off-state current(Ir)		=<1...3mA	=<1...3mA		
Circuit protection		polarity,Short circuit	polarity,Short circuit		
Ambient temperature (Ta)		-25...+70degrees C	-25...+70degrees C		
Frequency of operation(f)		15Hz	15Hz		
Function indication		Yes	Yes		
Protection class per IEC60529		IP67	IP67		
Material	Housing	PTFE coated brass	PTFE coated brass		
	Active surface	PTFE	PTFE		
Connection		Cable	Cable		
Cable	Outer sheath	PVC	PVC		
	Diameter/core	φ 5mm / 2 x 0.5mm <sup>2</sup>	φ 5mm / 2 x 0.5mm <sup>2</sup>		
	Length	2m,3m,5m	2m,3m,5m		
Remarks					

Global Version

Standard

Extended distance

Aluminum chip non-detectable

Multi metal

Weld immune

Weld splatter resistance

Steel face

Temperature rated

Pressure rated

ATEX

\*In ordering, please specify cable specification (outer sheath and length) as following example.

Type number — Outer sheath Cable length

CableOuter sheath PVC = blank

Cable length 3m = 03

Ordering example (PVC cable 3m)  
BES516-420 E3TM-03