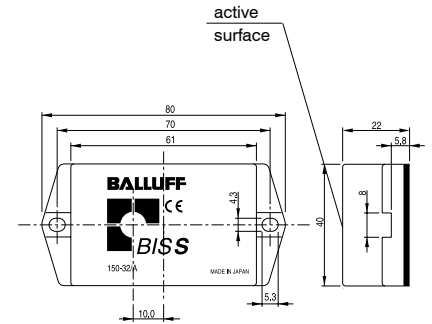
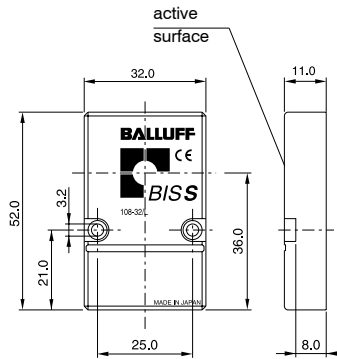


Size	52 x 32 x 11	40 x 80 x 22
Housing material	PBT	POM
Weight	22g	97g
Dimension		



Type	8K bytes / FRAM	BIS S-108-32/L	BIS S-150-32/A
Operating temperature range		0...+70°C	0...+70°C
Storage temperature range ¹⁾		-20...+70°C	-20...+70°C
Protection class (Per IEC 60529)		IP 67	IP 67
Mounting in steel		non-flush	non-flush
Applicable R/W head and max. reading distance		BIS S-302 20mm BIS S-303 20mm	BIS S-301 50mm BIS S-301J 45mm

1)When in transit or stored as well as when out side of communication area with Read/write head.

Read/Write cycle			
Memory type	data retention period	Writing cycle	Reading cycle
8K bytes / FRAM	10 years	Unlimited	Unlimited