

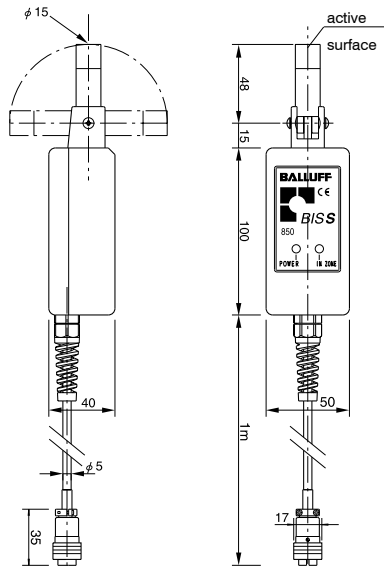
PC unit

Control unit which connected to the general PC USB port .

Antenna unit (BIS S-850) is necessary to read/write the Data carrier

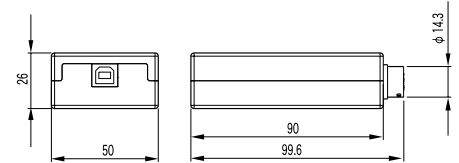
Antenna unit

Dimension



Control unit USB Interface

Dimension



Type	BIS S-850
Supply voltage	5V DC (Supplied by Control unit)
Operating temperature range	0...+40°C
Storage temperature range	-10...+50°C
Protection class (Per IEC 60529)	IP 54
cable material	PVC
	BIS S-108-32/L
	BIS S-150-32/A

Type	BIS H-4000-30
Interface	USB Specification Rev 1.1 compliance
Supply voltage	5V DC±5% (Supplied by USB)
Current consumption	0.45A
Operating temperature range	0...+40°C
Storage temperature range	-10...+50°C
included goods	1x CD-ROM(Driver & Application software) 1x USB cable1m