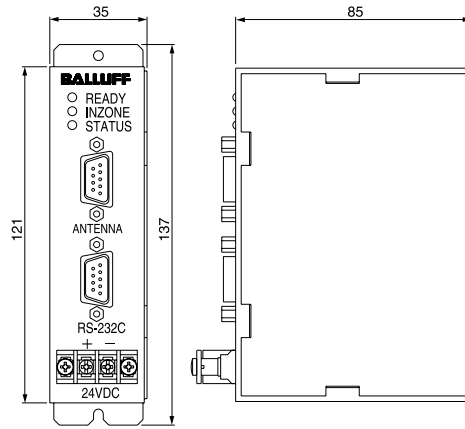
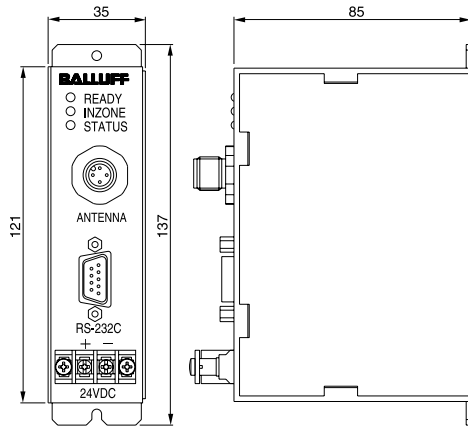


Number of connectable antenna	1CH
Interface	Serial / RS-232C
Dimension	



Interface	Serial / RS-232C Balluff protocol / Japanese version
Type	Applicable Data carrier
	511 bytes
	1023 bytes
	2047 bytes
	8K bytes
Supply voltage	24V DC±10%
Current consumption	0.25A
Operating temperature range	0...+55°C
Connection to ID converter	ID cable : BIS C-502-STF-PU- <sup>1)</sup>
Connection to Host PLC	IF cable : BIS C-502-PC- <sup>2)</sup> / BIS C-502-PCJ- <sup>2)</sup>
Remarks	
Please request the instruction manual for details about specifications	1) cable length(m):05(standard), 10, 20, 30, 40, 50 2) cable length(m):02(standard), 05, 10

1CH (Built-in converter)  
Serial / RS-232C



Serial / RS-232C  
Balluff protocol/ Japanese version

BIS C-481-B33  
BIS C-481-B34  
BIS C-481-B31  
-

24V DC±10%  
0.25A  
0...+55°C

Connect Read/ write head directly (M12Connector)  
IF cable : BIS C-502-PC\_ \_<sup>2)</sup> / BIS C-502-PCJ\_ \_<sup>2)</sup>

**BIS**

**C**

Products table

Connection

Data carrier

R/W head

Antenna cable

ID converter

Processor

ID cable

IF cable

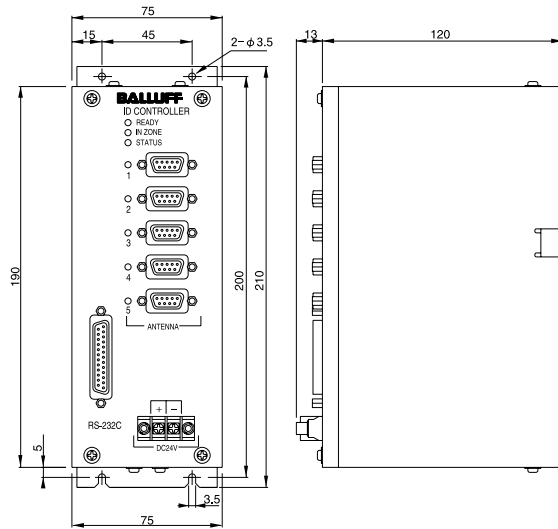
PC unit

Handy unit

Data coupler unit

installation notes

Number of connectable antenna	5CH
Interface	Serial / RS-232C
Dimension	



Interface	Serial / RS-232C Balluff protocol / Japanese version
-----------	---

Type	Applicable Data carrier	511 bytes	BIS C-481-ZM13
		1023 bytes	BIS C-481-ZM14
		2047 bytes	BIS C-481-ZM11
		8K bytes	-

Supply voltage	24V DC $\pm$ 10%
Current consumption	0.35...0.75A (Depends on the number of connectable antenna)
Operating temperature range	0...+55°C

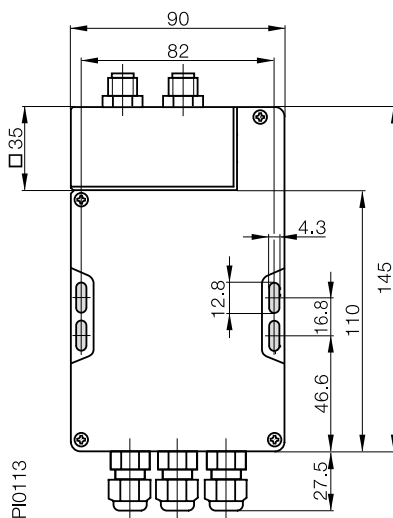
Connection to ID converter	ID cable : BIS C-502-STF-PU- <sup>1)</sup>
Connection to Host PLC	IF cable : BIS C-502-PCD- <sup>2) 3)</sup> / BIS C-502-PCK- <sup>2) 3)</sup>

Remarks	
---------	--

Please request the instruction manual for details about specifications.

1) cable length(m):05(standard), 10, 20, 30, 40, 50  
 2) cable length(m):02(standard), 05, 10  
 3) When using in CE environment, please make sure use this cable.

Number of connectable antenna	2CH (Built in converter)
Interface	Serial / RS-232C
Dimension	



Interface	Serial / RS-232C Balluff protocol/ German version
-----------	--

Type	Applicable Data carrier	511 bytes	BIS C-600-007-650-00-KL1
		1023 bytes	
		2047 bytes	
		8K bytes	

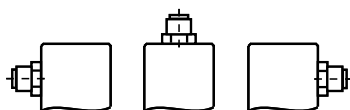
Supply voltage	24V DC±20%
Current consumption	0.4A
Operating temperature range	0...+60°C

Connection to ID converter	Connect R/W head directly (4 pinConnector x 2)
Connection to external devices	Terminal block ( Cable gland PG9 x 3)

Remarks

Please request the instruction manual for details about specifications.

With control output  
Protection class : IP 65



3 directions variable

BIS

C

Products table

Connection

Data carrier

R/W head

Antenna cable

ID converter

Processor

ID cable

IF cable

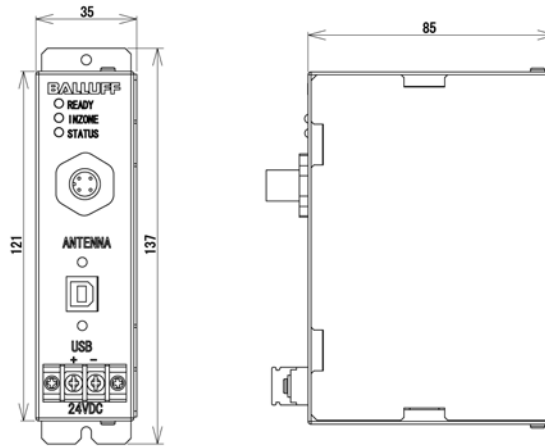
PC unit

Handy unit

Data coupler unit

Installation notes

Number of connectable antenna	1CH (Built in converter)
Interface	Serial / USB
Dimension	



Interface	Serial / USB
	Balluff protocol / Japanese version
Type	Applicable Data carrier
	511 bytes
	1023 bytes
	2047 bytes
	8K bytes
	BIS C-490-B13
	BIS C-490-B14
	BIS C-490-B11
	-
Supply voltage	24V DC±10%
Current consumption	0.25A
Operating temperature range	0...+55°C
Connection to ID converter	Connect R/W head directly (M12Connector)
Connection to Host PLC	IF cable:USB cable
Remarks	Applicable OS : Microsoft Windows2000 and XP Included:Driver CD、 USB cable

Please request the instruction manual for details about specifications.