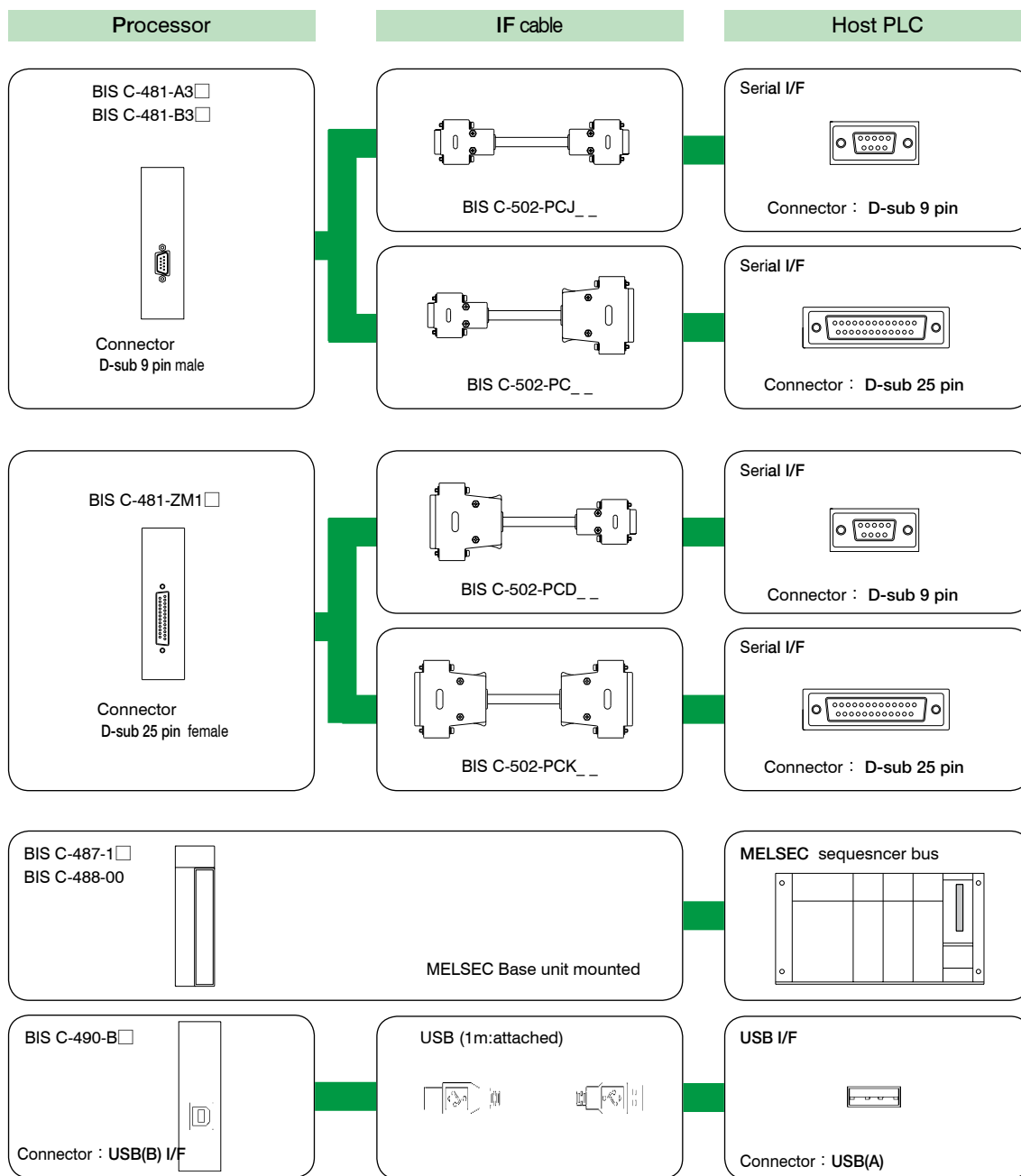
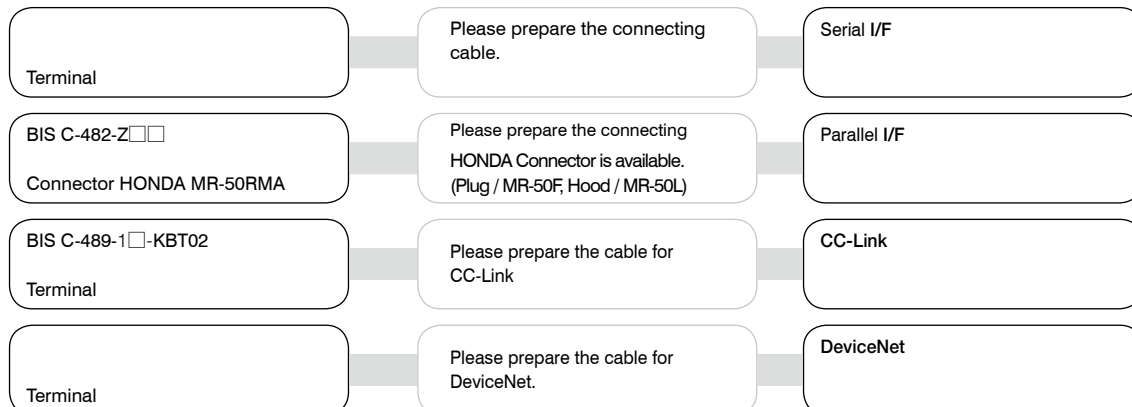


Processor ↔ Host PLC



● In case of any other connections except for above, we would like to ask customers to prepare the connecting cable by themselves.



● Processor requires to be connected to external power supply.

BIS

C

Products table

Connection

Data carrier

R/W head

Antenna cable

ID converter

Processor

ID cable

IF cable

PC unit

Handy unit

Data coupler unit

installation notes