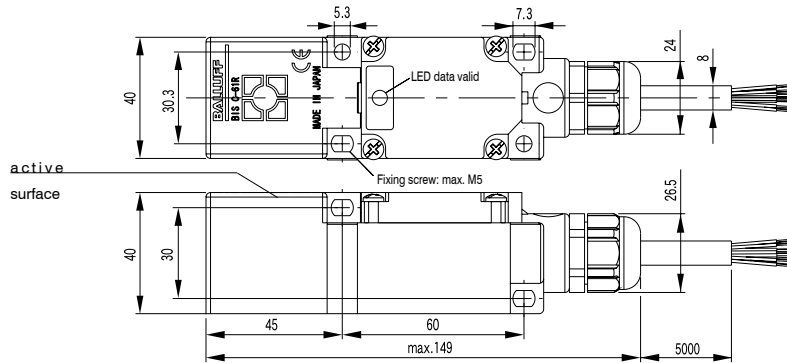


Read only system Mini flag / ID reader	
Interface	Parallel
Material	ABS resin with fiberglass
Weight	360g



Processing data amount	8 bits	
Type	NPN	BIS C-61R-001-08N-PU-__
	PNP	BIS C-61R-001-08P-PU-__
I/O specification	9 output (incl. data valid)	
Supply voltage	24V DC +10-20%	
Current consumption	max.300mA	
Operating temperature range	0...+50°C	
Storage temperature range	-25...+70°C	
Data valid indicator	LED (YE)	
Protection class	IP67	
cable material	PUR	

Applicable Data carrier			<div style="display: flex; justify-content: space-around; text-align: center;"> <div style="background-color: #cccccc; padding: 5px;">BIS C-108-__-/L</div> <div style="background-color: #cccccc; padding: 5px;">BIS C-117-05/A</div> <div style="background-color: #cccccc; padding: 5px;">BIS C-117-05/L</div> <div style="background-color: #cccccc; padding: 5px;">BIS C-128-05/L</div> <div style="background-color: #cccccc; padding: 5px;">BIS C-130-05/L</div> </div>								
Mounting in steel			flush	non flush	flush	non flush	flush	non flush	flush	non flush	
Read distance mm			0-5	1-7	1-7	1-7	0-3	3-7	0-4	1-7	
Off-set /mm	Reading distance	1mm	±7	±7	±5	±7	±5	—	±3	±4	
		3mm	±6	±7	±5	±7	—	±7	±3	±5	
		5mm	—	±6	±5	±6	—	±6	—	±5	
		7mm	—	—	—	—	—	—	—	—	—
		10mm	—	—	—	—	—	—	—	—	—
		15mm	—	—	—	—	—	—	—	—	—
20mm			—	—	—	—	—	—	—	—	

Please specify the type number as shown below;

BIS C-61R-001-08N-PU-__

cable length _____
 02 = 2m (standard)
 05 = 5m
 10 = 10m

BIS

C/R

Products table

Data carrier

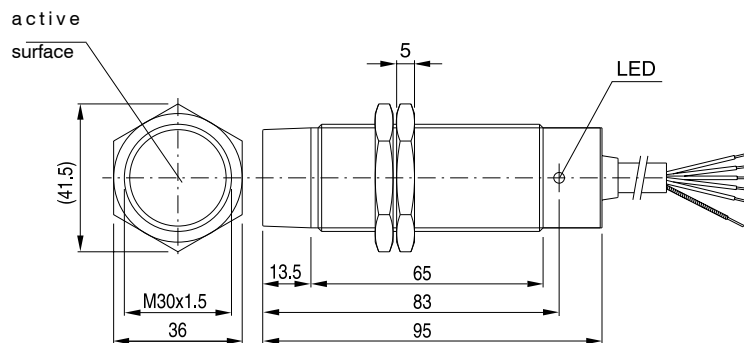
R/W head

Processor

ID reader

Installation note

Read only system Mini flag / ID reader	
Interface	Parallel
Material	Nickel plated brass
Weight	330g



Processing data amount	8 bits	64 bits	
Type	NPN	BIS C-60R-001-08N-PU-__	BIS C-60R-002-08N-PU-__
	PNP	BIS C-60R-001-08P-PU-__	BIS C-60R-002-08P-PU-__

I/O specification	Output:9 (incl. data valid)	Input:3 Output:9 (incl.data valid)
-------------------	-----------------------------	------------------------------------

Supply voltage	24V DC+10-20%
Current consumption	max.300mA
Operating temperature range	0...+50°C
Storage temperature range	-25...+70°C
Data valid indicator	LED (YE)
Protection class	IP67
cable material	PUR

Applicable Data carrier

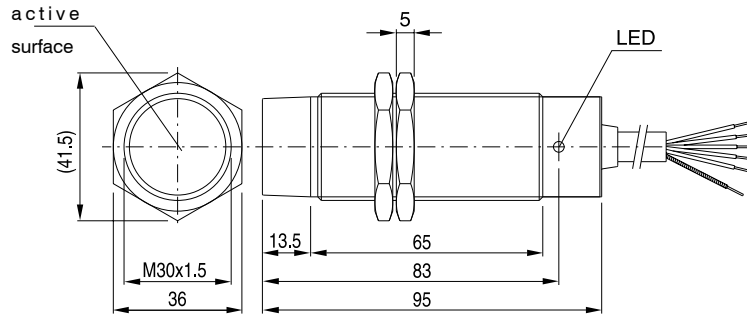
		BIS C-108-__/_L		BIS C-117-05/A		BIS C-117-05/L		BIS C-128-05/L		BIS C-130-05/L	
Mounting in steel		flush	non flush	flush	non flush	flush	non flush	flush	non flush	flush	non flush
Read distance mm		0-6	1-8	1-8	1-8	0-4	3-8	0-5	1-8		
Off-set /mm	Reading distance	1mm	±7	±7	±5	±7	±6	—	±3	±4	
		3mm	±7	±7	±5	±7	±5	±7	±3	±5	
		5mm	±6	±7	±5	±7		±6	±3	±5	
		7mm		±6	±5	±6		±5		±5	
		10mm									
		15mm									
	20mm										

Please specify the type number as shown below; BIS

C-60R-001-08N-PU-__

cable length
02 = 2m (standard)
05 = 5m
10 = 10m

Read only system Mini flag / ID reader	
Interface	Parallel
Material	Nickel plated brass
Weight	330g



Processing data amount	16 bits / Dynamic specification	
Type	NPN	BIS C-60R-003-08N-PU-__
	PNP	BIS C-60R-003-08P-PU-__
I/O specification	Input:1 Output: 11	
Supply voltage	24V DC+10-20%	
Current consumption	max.300mA	
Operating temperature range	0...+50°C	
Storage temperature range	-25...+70°C	
Data valid indicator	LED (YE)	
Protection class	IP67	
cable material	PUR	

Applicable Data carrier	<div style="display: flex; justify-content: space-around; text-align: center;"> <div style="background-color: #cccccc; padding: 5px;">BIS C-108-__/_L</div> <div style="background-color: #cccccc; padding: 5px;">BIS C-117-05/A</div> <div style="background-color: #cccccc; padding: 5px;">BIS C-117-05/L</div> <div style="background-color: #cccccc; padding: 5px;">BIS C-128-05/L</div> <div style="background-color: #cccccc; padding: 5px;">BIS C-130-05/L</div> </div>						
	Mounting in steel	flush	non flush	flush	non flush	non flush	non flush
Read distance	mm	4-6	3-8	6-8	3-8	4-8	4-8
Max. reading speed	m/min	9	9	12	20	20	15

Please specify the type number as shown below;

BIS C-60R-003-08N-PU-__

cable length

02 = 2m (standard)

05 = 5m

10 = 10m

BIS

C/R

Products table

Data carrier

R/W head

Processor

ID Reader

Installation note